

2010 COROLLA



امداد خودرو فارما

تلفن شبانه روزی: ۰۲۱-۸۸۸۶۲۰۸۵

www.ardad.com

You can describe the 2010 Toyota Corolla a lot of ways. Corolla is first and foremost solid — from its reputation, to the fit and finish for which Toyota is known. It can do what you depend on a car to do, and keep on doing it an incredibly long time. In the end, you're left with one conclusion: This is how a car was meant to be. No wonder Corolla is the world's all-time, best-selling car.¹ Corolla.

Moving Forward.

FarmaSOS.com

1. Based on manufacturer's estimate.





اوراد زرد و فارما

تلفن شبانه ۰۲۱ ۸۵۱۱۱۱۱۱

FarmaSO.com

What's at the heart of Corolla's worldwide popularity? It starts with engineering that systematically builds reliability and longevity into every component. Then add a long list of standard safety features that reward Corolla owners with peace of mind. Finally, there's the design: a bold statement of style that elevates Corolla to a new level of sophistication.

S shown in Barcelona Red Metallic with available Sport Package and moonroof.

How can you find fault with Toyota Corolla? After all, this is one substantial automobile. But our engineers just couldn't resist refining the craftsmanship of Corolla a bit more. They made this generation a bit wider and a bit longer. There's even a tad more interior space than in generations that have gone before. Evidently, it's true. You just can't have too much of a good thing.



تلفن سپانه روزی: ۰۸۵-۸۸۸۶۲۰۲۱

FarmaSOS.com

DID YOU KNOW?
Toyota introduced the first Corolla in 1960. Since then, its popularity has put nearly 35 million examples of Corolla on the world's highways.



XLE shown in Classic Silver Metallic with available 16-in. alloy wheels.



AVAILABLE REMOTE KEYLESS ENTRY SYSTEM¹

Corolla has convenience covered. You can lock and unlock Corolla's doors with the touch of a button. Unlock the doors and relax — a lighted interior is waiting for you. Or use your remote to pop open the trunk lid. The alarm can also be activated remotely.

1. Standard on XLE. Not available on Corolla grade.

The 2010 Corolla is part art, part science. Our designers gave it a bold, confident style befitting its stature as the world's best-selling sedan.¹ Note the broad shoulders, the prominent grille and the sensuously flowing lines. But it's not just another pretty face. Our engineers made sure that those carefully sculpted forms improved handling by shaping the airflow and creating downforce. That's the science part.



XRS shown in Magnetic Gray Metallic with available moonroof.

MOONROOF²

Corolla is available with a moonroof that lets in, well, moonlight, as well as the stars and the sun. Even the amenities are practical.



1. Based on manufacturer's estimate. 2. Not available on Corolla grade.

STYLE AND SUBSTANCE

Open the door to Corolla XRS and it's showtime. The front seats are deeply bolstered, helping to keep you situated when your road trip turns twisty. A standard rear deck spoiler is a clear signal to all that your XRS is a serious driver's car. And the 17-inch alloy wheels don't merely look sharp. They actually carve the airflow onto the brakes to help cool the components and reduce brake fade.



XRS interior shown in Dark Charcoal with available Power Package and Leather Trim Package^{1,2}

1. Requires Power Package. 2. S and XRS only.

One of the best things about Corolla is how its interior fits you like a tailor-made suit. As you climb into the cabin, you are rewarded with sensual textures, shapes and sounds. The solid sound of the door shutting behind you. A seat designed with an extended cushion for more support. And a rear seating area that features a nearly flat floor to enhance leg room.



XLE interior shown in Bisque fabric with available JBL^{®1} AM/FM 6-disc in-dash CD changer with Bluetooth^{®2} wireless technology.

1. XLE, S and XRS only. 2. See footnote 8 in Disclaimers section.

DVD NAVIGATION SYSTEM^{1,2}

An available touch-screen DVD navigation system with available XM NavTraffic[®] offers color-coding of traffic flow on major freeways and shows construction zones and road closures. It's a great confidence booster when you're on a trip.

60/40 REAR SEAT

Inside Corolla, our designers packed surprising versatility. The front seats recline, and the rear 60/40 split-bench seat folds flat to create an incredible amount of cargo room.³



INTELLIGENT STORAGE

Get organized. Corolla has a huge, dual glove box with a big, deep bin. A separate enclosure is ideal for important papers that need to be kept close at hand.



Available touch-screen DVD navigation system^{1,2}

1. XLE, S and XRS only. 2. See footnote 11 in Disclaimers section. 3. Cargo and load capacity limited by weight and distribution.

Toyota designers made sure Corolla is a well-appointed car, deliberately suited to the comfort of those who drive it. Behind the wheel, you're greeted by instruments that illuminate with sure precision. And the steering wheel not only tilts and telescopes to accommodate your personal preferences, it also puts available control switches¹ for the audio system and available hands-free phone capability via Bluetooth^{®2,3} wireless technology at your fingertips.



XRS interior shown in Dark Charcoal with available JBL^{®3} AM/FM 6-disc in-dash CD changer with Bluetooth^{®2} wireless technology.

1. Controls included based on model and available equipment. 2. See footnote 8 in Disclaimers section. 3. XLE, S and XRS only. Requires available JBL[®] audio system. S and XRS require Power Package. S requires Sport Package.



A



B

iPod® nano shown with 12-volt cradle (accessories not included).



C



XRS interior shown in Dark Charcoal with available JBL® AM/FM 6-disc in-dash CD changer with Bluetooth® wireless technology.

A BLUETOOTH®^{2,3}

Corolla is available with Bluetooth® wireless technology, easily enabling the necessary use of your compatible cell phone.

B AUDIO JACK

Plug your MP3/WMA player into the auxiliary audio jack and you'll be the maestro of mix-masters.

C AVAILABLE CRUISE CONTROL⁴

Corolla's available cruise control feature helps take the fatigue out of extended highway driving.

1. iPod® is a registered trademark of Apple, Inc. All rights reserved. 2. XLE, S and XRS only. Requires available JBL® audio system. S and XRS require Power Package. S requires Sport Package. 3. See footnote 8 in Disclaimers section. 4. Standard on XRS.

To drive Corolla is to experience life in the technological fast lane. Press the gas pedal, and an electronically controlled throttle body triggers your acceleration. An innovation called VVT-i, short for Variable Valve Timing with intelligence, helps the engine optimize power, emissions and efficiency. Electric Power Steering (EPS) helps guide you smoothly through the twists and turns. And as you drive Corolla, it even monitors its tire pressure automatically, warning you if it falls critically low^{1,2}



XRS shown in Black Sand Pearl with available moonroof.

1. See footnote 4 in Disclaimers section. 2. System does not monitor spare tire.

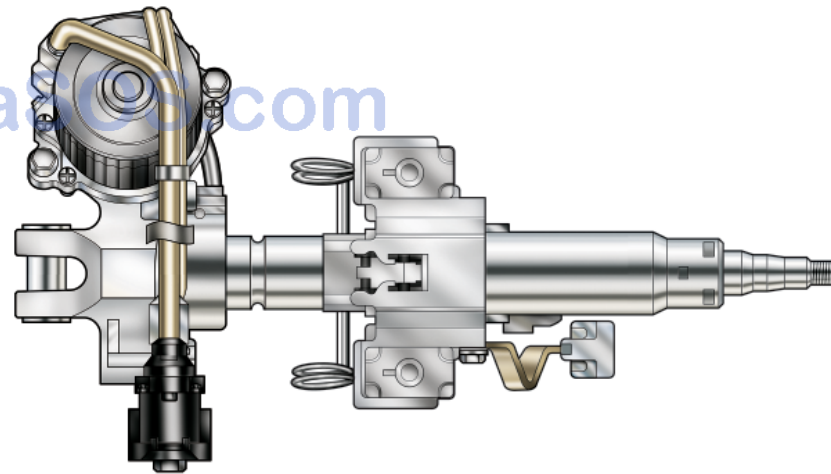
REFINED SUSPENSION

Corolla's suspension system and a more rigid chassis are responsible for its impeccable manners. The front suspension is tuned for handling precision and mounted to a separate sub-frame to help squelch noise and vibration. The torsion-type rear suspension further smoothes the ride.



تلفن شبانه روزی: ۰۲۱-۸۸۸۶۲۰۸۵

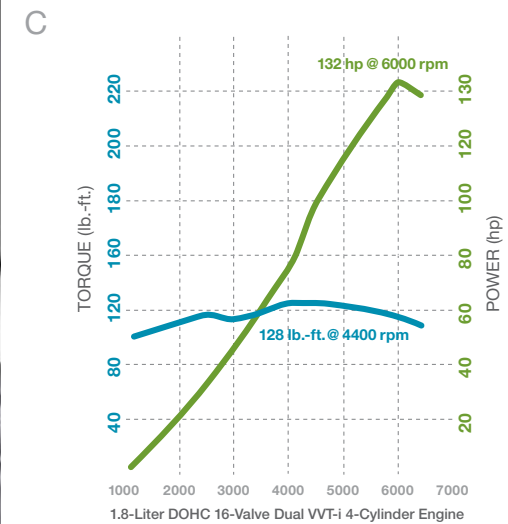
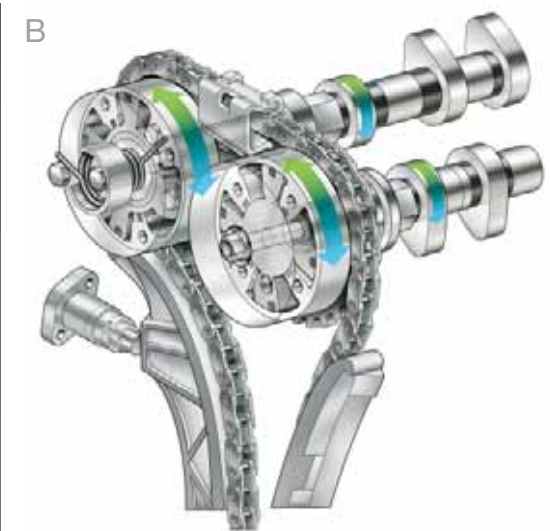
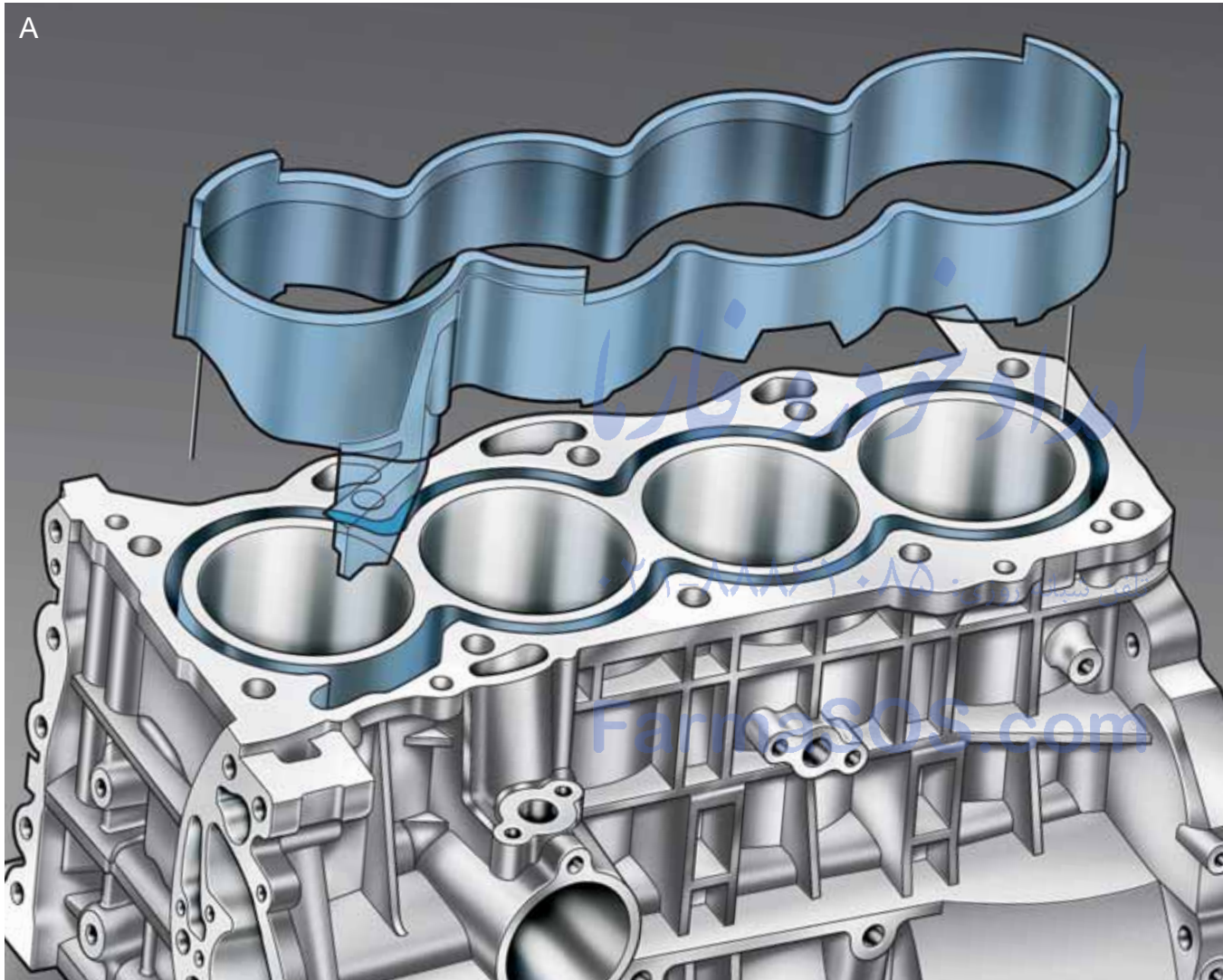
Farman.com



ELECTRIC POWER STEERING (EPS)

Electric Power Steering (EPS) helps give Corolla steering response that's effortlessly accurate. EPS also eliminates hydraulic-assist components that can reduce fuel economy. And by reducing the use of fluids, it helps lessen Corolla's overall environmental imprint.

Corolla's 132-hp 1.8-liter 4-cylinder engine, standard on Corolla grade, LE, XLE and S, achieves a remarkable balance of performance and efficiency. The DOHC 16-valve engine uses dual VVT-i. The engine block and cylinder head are made from lightweight aluminum alloy. Saving weight saves fuel. With an available automatic transmission in Corolla LE and XLE, these models can get an EPA-estimated 27 city/35 highway mpg rating!



A SUPER-COOLING SYSTEM
The aluminum-alloy engine of the 2010 Corolla uses lightweight, high-compression pistons kept cool by a “water jacket spacer” that surrounds the cylinder walls. It’s a design that also helps make the engine block lighter and more compact.

B DUAL VARIABLE VALVE TIMING WITH INTELLIGENCE (VVT-i)²
The sophisticated engineering behind Corolla’s dual VVT-i engine pays big dividends at the pump. It intelligently determines the best valve timing for optimum power and efficiency.

C ENGINE POWER
Power is on display in the 2010 Corolla. Equipped with a refined 1.8-liter 16-valve 4-cylinder engine, the 2010 Corolla is rated at 132 hp and 128 lb.-ft. of torque. A little Corolla power goes a long way.

1. 2010 EPA-estimated mileage. Actual mileage will vary. 2. Corolla grade, LE, XLE and S only.



LE shown in Desert Sand Mica.



امداد خودرو و پارک

تلفن شبانه روزی: ۰۲۱-۸۸۸۶۲۰۸۵

FarmaSOS.com

Corolla shown in Magnetic Gray Metallic.

Standard safety features on Corolla include front, side and side curtain airbags! The front seats incorporate active front headrests? Also standard on all models are three advanced safety technologies. An Anti-lock Brake System (ABS) enhances driver steering control by reducing wheel lockup under hard braking. Electronic Brake-force Distribution (EBD) with Brake Assist³ balances brake pressure distribution based on vehicle load and braking conditions. It automatically adjusts the brake force applied to each wheel and can transfer braking pressure front-to-rear or side-to-side to help optimize the available traction.



Demo not intended to replicate actual airbag deployment.

1. See footnote 13 in Disclaimers section. 2. See footnote 14 in Disclaimers section. 3. See footnote 15 in Disclaimers section.



A Correct pressure



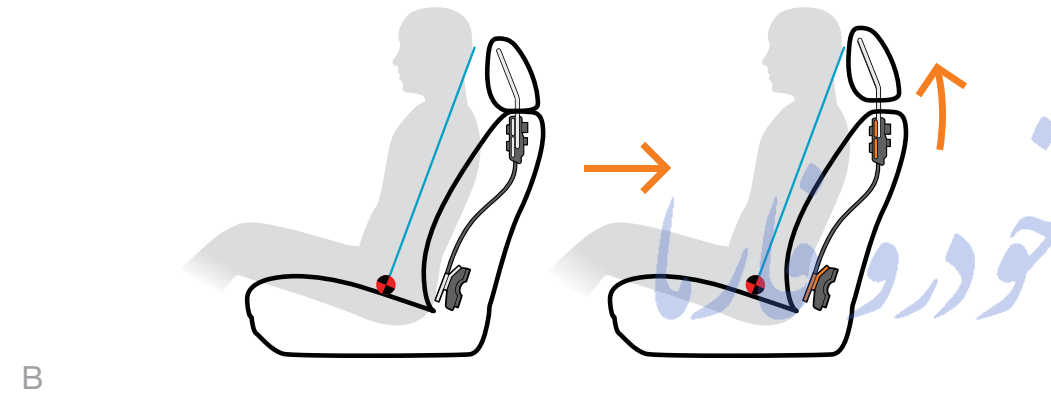
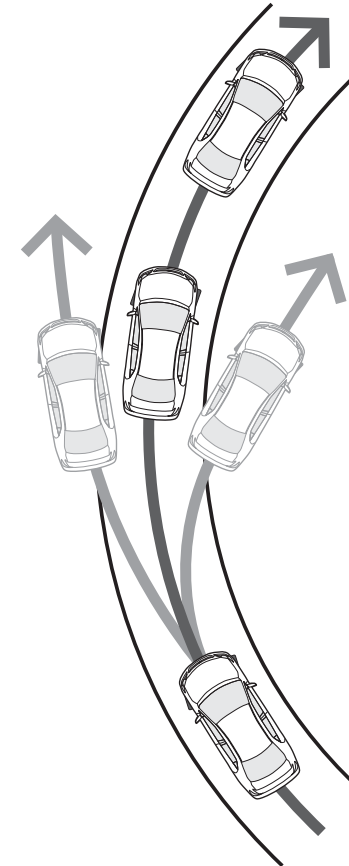
Low pressure

VEHICLE STABILITY CONTROL (VSC)¹

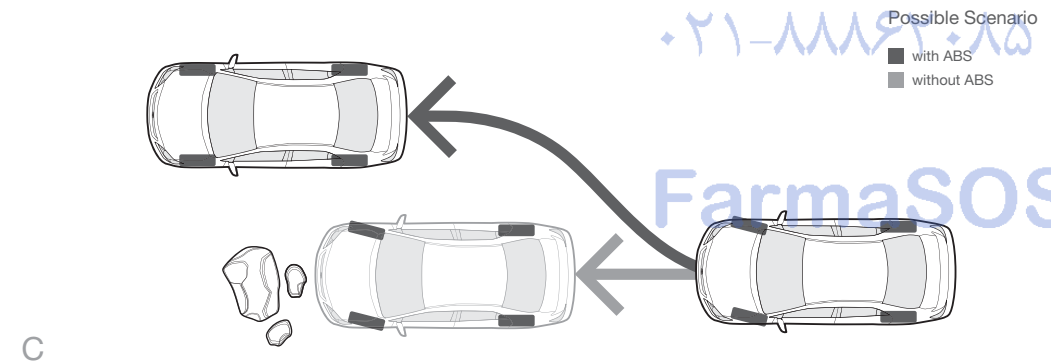
Enhanced VSC helps prevent the vehicle from slipping sideways while cornering. To help improve control in these situations, enhanced VSC automatically regulates engine output and brake-force distribution to the wheels. In addition, the system simultaneously provides the Electric Power Steering (EPS) assist torque to help the driver steer in the direction that provides greatest control. An off switch, designed to eliminate VSC, is useful in certain critical conditions.

Possible Scenario

- with VSC
- without VSC



B



C

A TIRE PRESSURE MONITOR SYSTEM (TPMS)²

The two tires pictured above may look like they're properly inflated, but the tire on the right is actually under-inflated. The 2010 Corolla comes standard with Toyota's Tire Pressure Monitor System (TPMS). If the pressure in one of Corolla's tires reaches a critically low level, a warning light alerts the driver.³

B ACTIVE FRONT HEADRESTS⁴

Corolla comes standard with active headrests in the front seats that help keep the occupants' heads ideally positioned in the event of certain rear-end collisions.

C ANTI-LOCK BRAKE SYSTEM (ABS)

ABS pulses brakes rapidly during hard braking to help keep the wheels from locking up, and thus helps preserve steering control.

1. See footnote 5 in Disclaimers section. 2. See footnote 4 in Disclaimers section. 3. System does not monitor spare tire. 4. See footnote 14 in Disclaimers section.

COLOR



BLACK SAND PEARL
Dark Charcoal (S and XRS), Bisque or Ash
(Corolla, LE and XLE) interior



DESERT SAND MICA¹
Bisque (Corolla, LE and XLE) interior



BLUE STREAK METALLIC
Dark Charcoal (S and XRS) or Ash
(Corolla, LE and XLE) interior



MAGNETIC GRAY METALLIC
Dark Charcoal (S and XRS), Bisque or Ash
(Corolla, LE and XLE) interior



CAPRI SEA METALLIC¹
Bisque or Ash (Corolla, LE and XLE) interior



CLASSIC SILVER METALLIC
Dark Charcoal (S and XRS) or Ash
(Corolla, LE and XLE) interior



BARCELONA RED METALLIC
Dark Charcoal (S and XRS), Bisque or Ash
(Corolla, LE and XLE) interior



SUPER WHITE
Dark Charcoal (S and XRS), Bisque or Ash
(Corolla, LE and XLE) interior

FABRIC/LEATHER



Corolla fabric in Ash



Corolla fabric in Bisque



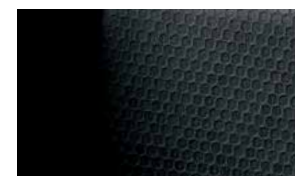
LE and XLE fabric in Ash



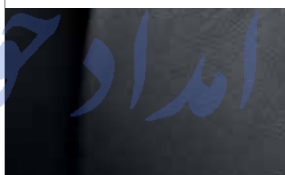
LE and XLE fabric in Bisque



S fabric in Dark Charcoal



XRS fabric in Dark Charcoal



S and XRS leather in Dark Charcoal

WHEEL



Corolla and LE standard 15-in.
steel wheel with full wheel cover



XLE standard 16-in. steel wheel
with full wheel cover



S standard 16-in. steel wheel
with full wheel cover



LE, XLE and S available 16-in.
alloy wheel



XRS standard 17-in. alloy wheel

COMBINATIONS

FEATURES²

EXTERIOR

	COROLLA LE	XLE	S	XRS		COROLLA LE	XLE	S	XRS	
Aerodynamic multi-reflector halogen headlamps with Daytime Running Lights (DRL)	S	S	S	-	-	S	S	S	S	S
Aerodynamic multi-reflector halogen headlamps with Daytime Running Lights (DRL) and black housing	-	-	-	S	S	-	-	-	S	S
Integrated front fog lamps	-	-	-	S	S	S	S	S	S	S
Color-keyed rear deck spoiler	-	-	-	O/P	S	S	S	-	-	-
Intermittent windshield wipers	S	S	-	S	S	-	-	S	S	-
Variable intermittent windshield wipers with mist cycle	-	-	S	-	-	-	O	O	O/P	-
Power remote-controlled outside mirrors	S	-	-	-	-	-	-	-	-	S
Color-keyed power remote-controlled outside mirrors	-	S	S	S	S	-	O	O	O	O
Heated outside mirrors	P	P	P	P	P					

INTERIOR

Multi-information display with outside temperature, instant fuel economy, average fuel economy, driving range, average speed and travel distance since start	S	S	S	S	S	-	-	O	O	O
Instrumentation: amber-illuminated speedometer, tachometer with LCD odometer and twin tripmeters; and coolant temperature, fuel level and outside temperature gauges	S	S	-	-	-	S	S	-	-	-
Instrumentation: Optitron meters with white-silhouette speedometer, tachometer, coolant temperature and fuel level gauges; digital odometer and twin tripmeters with outside temperature display	-	-	S	-	-	-	S	S	P	P
Instrumentation: Optitron sport meters with speedometer, tachometer, coolant temperature and fuel level gauges; digital odometer and twin tripmeters with outside temperature display	-	-	-	S	S	S	S	-	S	S
Airbag, seatbelt, low fuel level, door-ajar, battery, check engine, oil pressure, Electric Power Steering (EPS), brake, Direct Tire Pressure Monitor System (TPMS); ⁴ Vehicle Stability Control (VSC) ⁵ and Traction Control (TRAC) warning lights	S	S	S	S	S	S	S	S	S	S
Digital clock	S	S	S	S	S	-	-	-	S	S
Cruise control	O	O	O	O/P	S	S	S	S	S	S
Leather-trimmed shift knob	-	-	-	P	S	-	-	-	P ^{9,10}	P ⁹
Wood-grain-style interior trim	-	-	S	-	-	S	S	S	S	S
Metallic-style interior trim	-	-	S	-	S	S	S	S	S	S
Tilt/telescopic adjustable steering wheel	S	S	S	S	S	S	S	S	S	S
Leather-trimmed steering wheel with audio controls	-	-	-	S	S	S	S	S	S	S
AM/FM CD player with MP3/WMA playback capability, satellite radio capability, ⁹ auxiliary audio jack, CD-text display function, automatic sound leveling and four speakers	S	S	-	-	-	-	-	O	-	-
AM/FM CD player with MP3/WMA playback capability, satellite radio capability, ⁹ auxiliary audio jack, CD-text display function, automatic sound leveling and six speakers	-	-	S	S	S	S	S	S	S	S
AM/FM 6-disc in-dash CD changer with MP3/WMA playback capability, satellite radio capability, ⁹ auxiliary audio jack, CD-text display function, automatic sound leveling and six speakers	O	O	O	O	O	-	O	S	P	P
JBL® AM/FM 6-disc in-dash CD changer with MP3/WMA playback capability, ⁷ XM Satellite Radio enabled, ⁹ auxiliary audio jack, hands-free phone capability via Bluetooth® ⁸ wireless technology and eight speakers in six locations (440 watts maximum output) with steering wheel-mounted audio and hands-free controls	-	-	O	O ^{9,10}	O ⁹					
Color-keyed outside door handles	S	S	S	S	S					
Color-keyed front and rear underbody spoilers, sport side rocker panel moldings and rear mudguards	-	-	-	S	S					
Blackout front grille	S	S	S	S	S					
15-in. steel wheels with P195/65R15 tires and full wheel covers	S	S	-	-	-					
16-in. steel wheels with P205/55R16 tires and full wheel covers	-	-	S	S	-					
16-in. alloy wheels with P205/55R16 tires	-	O	O	O/P	-					
17-in. alloy wheels with P215/45R17 tires	-	-	-	-	S					
Power tilt/slide moonroof with sunshade ³	-	O	O	O	O					
Touch-screen DVD navigation system ^{7, 11}	-	-	O	O	O					
Day/night rearview mirror with mounted maplights ³	-	-	S	S	S					
Day/night rearview mirror	S	S	-	-	-					
Power door locks with shift-activated locking feature (shift-activated locking feature on automatic transmission models)	-	S	S	S	S					
Power windows with driver-side auto-down feature	-	S	S	P	P					
Passenger-side dual glove compartments	S	S	S	S	S					
Center console with storage	S	S	-	S	S					
Sliding center console with card holder	-	-	S	P	P					
Front and rear door pockets with integrated bottle holder	S	S	S	S	S					
Cup holders (two front and two rear)	S	S	S	S	S					
Fabric-trimmed 4-way adjustable front seats	S	S	S	S	S					
Unique sport fabric seats	-	-	-	S	S					
Driver's seat height adjuster	S	S	S	S	S					
Leather-trimmed seats and headrests, molded leather door trim, shift knob; ¹² leather-covered center console with sliding armrest and front seat heaters	-	-	-	P ^{9,10}	P ⁹					
60/40 split fold-down rear bench seat	S	S	S	S	S					
Two 12V auxiliary power outlets	S	S	S	S	S					
CFC-free air conditioning with air filter	S	S	S	S	S					
CFC-free automatic climate control system with air filter	-	-	O	-	-					
Heavy-duty electric rear window defogger with timer	S	S	S	S	S					
Remote trunk release with cancel feature and trunk lamp	S	S	S	S	S					
Remote fuel-filler door and hood releases	S	S	S	S	S					
Multi-function in-key remote keyless entry system with lock, unlock, trunk-release, panic and remote illuminated entry features	-	O	S	P	P					

FEATURES² (CONTINUED)

SAFETY AND CONVENIENCE	COROLLA	LE	XLE	S	XRS		COROLLA	LE	XLE	S	XRS
Driver front airbag and front passenger airbag with Advanced Airbag System ¹³	S	S	S	S	S	High-tensile-strength steel body panels	S	S	S	S	S
Driver and front passenger front seat-mounted side airbags and front and rear side curtain airbags ¹³	S	S	S	S	S	Front seatbelt pretensioners with force limiters	S	S	S	S	S
Active front headrests ¹⁴	S	S	S	S	S	LATCH (Lower Anchors and Tethers for Children) for outboard rear seating positions only	S	S	S	S	S
4-wheel Anti-lock Brake System (ABS) with Electronic Brake-force Distribution (EBD) and Brake Assist ¹⁵	S	S	S	S	S	Automatic/Emergency Locking Retractors (ALR/ELR) for all front and rear passenger seatbelts, Emergency Locking Retractor (ELR) for driver's seatbelt	S	S	S	S	S
Direct Tire Pressure Monitor System (TPMS) ⁴	S	S	S	S	S	3-point rear seatbelts for all rear positions	S	S	S	S	S
Daytime Running Lights (DRL) with auto on/off feature	S	S	S	S	S	Driver and front passenger 3-point seatbelts with adjustable shoulder anchors	S	S	S	S	S
Center high-mount stop lamp (CHMSL)	S	S	S	S	S	Child-protector rear door locks	S	S	S	S	S
Vehicle Stability Control (VSC) ⁵ and Traction Control (TRAC) with off switch	S	S	S	S	S	Trunk-entrapment release	S	S	S	S	S
Front and rear energy-absorbing crumple zones	S	S	S	S	S	Anti-theft system with engine immobilizer ¹⁶	S	S	S	S	S
Side-impact door beams	S	S	S	S	S						
Energy-absorbing steering column	S	S	S	S	S						
Head-impact protection structure	S	S	S	S	S						

S = Standard O = Optional - = Not Available P = Feature is available as part of an option package.

PACKAGES AND OPTIONS

COROLLA	
All-Weather Guard Package — includes heavy-duty heater with rear-seat heater duct, anti-chipping tape and heated power remote-controlled outside mirrors	Cruise control AM/FM 6-disc in-dash CD changer with MP3/WMA playback capability, satellite radio capability ⁶ and six speakers
LE	
All-Weather Guard Package — includes heavy-duty heater with rear-seat heater duct, anti-chipping tape and heated power remote-controlled outside mirrors	AM/FM 6-disc in-dash CD changer with MP3/WMA playback capability, satellite radio capability ⁶ and six speakers
16-in. alloy wheels with P205/55R16 steel-belted radial tires	Remote keyless entry system with in-key transmitter
Cruise control	Power tilt/slide moonroof with sunshade ³
XLE	
All-Weather Guard Package — includes heavy-duty heater with rear-seat heater duct, anti-chipping tape and heated power remote-controlled outside mirrors	JBL [®] AM/FM 6-disc in-dash CD changer with MP3/WMA playback capability, ⁷ XM Satellite Radio enabled, ⁵ auxiliary audio jack, hands-free phone capability via Bluetooth [®] wireless technology and eight speakers in six locations (440 watts maximum output) with steering wheel-mounted audio and hands-free controls
16-in. alloy wheels with P205/55R16 steel-belted radial tires	Touch-screen DVD navigation system ^{7, 11} with AM/FM CD player with MP3/WMA playback capability, satellite radio capability ⁶ and six speakers
Cruise control	Power tilt/slide moonroof with sunshade ³
CFC-free automatic climate control system with air filter	
AM/FM 6-disc in-dash CD changer with MP3/WMA playback capability, satellite radio capability ⁶ and six speakers	
S	
All-Weather Guard Package — includes heavy-duty heater with rear-seat heater duct, anti-chipping tape and heated power remote-controlled outside mirrors	AM/FM 6-disc in-dash CD changer with MP3/WMA playback capability, satellite radio capability ⁶ and six speakers
Leather Trim Package^{9, 10} — includes leather-trimmed seats and headrests, molded leather door trim, shift knob, leather-covered center console with sliding armrest and front seat heaters	JBL [®] AM/FM 6-disc in-dash CD changer with MP3/WMA playback capability, ⁷ XM Satellite Radio enabled, ⁵ auxiliary audio jack, hands-free phone capability via Bluetooth [®] wireless technology and eight speakers in six locations (440 watts maximum output) with steering wheel-mounted audio and hands-free controls
Power Package — includes power windows with driver-side one-touch down and remote keyless entry system with in-key transmitter	Touch-screen DVD navigation system ^{7, 11} with AM/FM CD player with MP3/WMA playback capability, satellite radio capability ⁶ and six speakers
Sport Package — includes 16-in. alloy wheels with P205/55R16 steel-belted radial tires, rear deck spoiler, power windows with driver-side one-touch down, remote keyless entry system with in-key transmitter and cruise control	Rear deck spoiler
16-in. alloy wheels with P205/55R16 steel-belted radial tires	Power tilt/slide moonroof with sunshade ³
Cruise control	
XRS	
All-Weather Guard Package — includes heavy-duty heater with rear-seat heater duct, anti-chipping tape and heated power remote-controlled outside mirrors	JBL [®] AM/FM 6-disc in-dash CD changer with MP3/WMA playback capability, ⁷ XM Satellite Radio enabled, ⁵ auxiliary audio jack, hands-free phone capability via Bluetooth [®] wireless technology and eight speakers in six locations (440 watts maximum output) with steering wheel-mounted audio and hands-free controls
Leather Trim Package⁹ — includes leather-trimmed seats and headrests, molded leather door trim, leather-covered center console with sliding armrest and front seat heaters	Touch-screen DVD navigation system ^{7, 11} with AM/FM CD player with MP3/WMA playback capability, satellite radio capability ⁶ and six speakers
Power Package — includes power windows with driver-side one-touch down and remote keyless entry system with in-key transmitter	Power tilt/slide moonroof with sunshade ³
AM/FM 6-disc in-dash CD changer with MP3/WMA playback capability, satellite radio capability ⁶ and six speakers	

See numbered footnotes in Disclaimers section.

SPECIFICATIONS

MECHANICAL/PERFORMANCE	COROLLA	LE	XLE	S	XRS
Engine					
1.8-liter DOHC 16-valve dual VVT-i 4-cylinder; 132 hp @ 6000 rpm; 128 lb.-ft. @ 4400 rpm	Standard	Standard	Standard	Standard	NA
2.4-liter DOHC 16-valve VVT-i 4-cylinder; 158 hp @ 6000 rpm; 162 lb.-ft. @ 4000 rpm	NA	NA	NA	NA	Standard
Emissions Rating — Ultra Low Emission Vehicle II (ULEV-II)	Standard	Standard	Standard	Standard	Standard
Transmission					
5-speed manual overdrive	Standard	NA	NA	Standard	Standard
4-speed electronically controlled automatic overdrive with intelligence (ECT-i)	Available	Standard	Standard	Available	NA
5-speed electronically controlled automatic overdrive with intelligence (ECT-i)	NA	NA	NA	NA	Available
Body construction	Unitized body	Unitized body	Unitized body	Unitized body	Unitized body
Drivetrain: front engine, front-wheel drive	Standard	Standard	Standard	Standard	Standard
Suspension	Independent MacPherson strut front, torsion beam rear suspension with front and rear stabilizer bars (XRS adds sport strut tower brace)				
Steering	Electric Power Steering (EPS): power-assisted rack-and-pinion with electronic power assist				
Turning circle diameter, curb to curb (ft.)	35.6	35.6	35.6	35.6	36.3
Brakes	Power-assisted ventilated front disc/rear drum (disc brakes on XRS) 4-wheel Anti-lock Brake System (ABS) with Electronic Brake-force Distribution (EBD) and Brake Assist ¹⁵				
Vehicle Stability Control (VSC) ⁵ and Traction Control (TRAC) with off switch	Standard	Standard	Standard	Standard	Standard
EXTERIOR DIMENSIONS (in.)					
Overall height	57.7	57.7	57.7	57.7	57.7
Overall width	69.3	69.3	69.3	69.3	69.3
Overall length	178.7	178.7	178.7	178.7	178.7
Wheelbase	102.4	102.4	102.4	102.4	102.4
Track (front/rear)	60.3/60.4	60.3/60.4	59.8/59.9	59.8/59.9	59.8/59.9
Minimum running ground clearance	5.8	5.8	5.8	5.8	5.3
INTERIOR DIMENSIONS front/rear (in.)					
Head room (with moonroof)	38.8/37.2	38.8/37.2 (37.9/37.1)	38.8/37.2 (37.9/37.1)	38.8/37.2 (37.9/37.1)	38.8/37.2 (37.9/37.1)
Shoulder room	54.8/54.6	54.8/54.6	54.8/54.6	54.8/54.6	54.8/54.6
Hip room	53.0/43.9	53.0/43.9	53.0/43.9	53.0/43.9	53.0/43.9
Leg room	41.7/36.3	41.7/36.3	41.7/36.3	41.7/36.3	41.7/36.3
Seating capacity	5	5	5	5	5
WEIGHTS AND CAPACITIES					
Curb weight (lb.) manual/automatic	2723/2745	NA/2745	NA/2811	2767/2822	2877/2965
EPA passenger volume (cu. ft.)					
Without moonroof	92.0	92.0	92.0	92.0	92.0
With moonroof	NA	90.7	90.7	90.7	90.7
Luggage capacity (cu. ft.)	12.3	12.3	12.3	12.3	12.3
Towing capacity (lb.) ¹⁷	1500	1500	1500	1500	1500
Fuel tank (gal.)	13.2	13.2	13.2	13.2	13.2
TIRES					
Size					
Standard	P195/65R15	P195/65R15	P205/55R16	P205/55R16	P215/45R17
Available	NA	P205/55R16	P205/55R16	P205/55R16	NA
Type					
Standard	All-Season	All-Season	All-Season	All-Season	All-Season
Spare	Temporary	Temporary	Temporary	Temporary	Temporary
MILEAGE ESTIMATES (mpg city/highway)¹⁸					
Manual	26/35	NA	NA	26/35	22/30
Automatic	26/34	26/34	26/34	26/34	26/34

See numbered footnotes in Disclaimers section.

ACCESSORIES

Add a personal touch to your Corolla with Toyota accessories. Some accessories may not be available in all regions of the country. See your Toyota dealer for details.



Body side moldings

All-weather floor mats¹⁹

Ashtray cup

Auto-dimming mirror

BLU™ Logic Hands

Free System²⁰

Body side moldings

Cargo net



Rear spoiler

Cargo tote

Carpet floor mats¹⁹

Doorsill enhancements

Emergency assistance kit

First aid kit

Interface kit²¹ for iPod^{®22}

Mudguards



Remote engine starter

Rear bumper protector

Rear spoiler

Remote engine starter

Toyota Vehicle Intrusion

Protection (VIP) RS3200

Plus Security System²³



XM Satellite Radio⁶

Trunk mat

Wheel locks

XM Satellite Radio⁶

WARRANTIES

Every Toyota Car, Truck and SUV is built to exceptional standards. And that's not idle boasting. We back it up with these Limited Warranty Coverages:

Basic: 36 months/36,000 miles (all components other than normal wear and maintenance items).

Powertrain: 60 months/60,000 miles (engine, transmission/transaxle, front-wheel drive, rear-wheel drive, seatbelts and airbags).

Rust-Through: 60 months/unlimited miles (corrosion perforation of sheet metal).

Emissions: Coverages vary under Federal and California regulations. Refer to applicable *Warranty and Maintenance Guide* for details.

Accessories: For Genuine Toyota accessories purchased at the time of the new vehicle purchase, the Toyota Accessory Warranty coverage is in effect for 36 months/36,000 miles from the vehicle's in-service date, which is the same coverage as the Toyota New Vehicle Limited Warranty.

For Genuine Toyota accessories purchased after the new vehicle purchase the coverage is 12 months, regardless of mileage, from the date the accessory was installed on the vehicle, or the remainder of any applicable new vehicle warranty, whichever provides greater coverage, with the exception of car covers. Car covers are warranted for 12 months from the date of purchase and do not assume any coverage under the Toyota New Vehicle Limited Warranty.

You may be eligible for transportation assistance if it's necessary that your vehicle be kept overnight for repairs covered under warranty. Please see your authorized Toyota dealership for further details.

For complete details about Toyota's warranties, please visit www.toyota.com, refer to the applicable *Warranty and Maintenance Guide* or see your Toyota dealer.

TOYOTA CARE



ToyotaCare

Toyota Care features a complimentary 2-year or 25K-mile maintenance plan with 24/7 roadside assistance. Covers normal factory scheduled service for 2 years or 25K miles, whichever occurs first. See participating dealer for coverage details.

DISCLAIMERS

1. Not available on S or XRS. **2.** Toyota strives to build vehicles to match customer interest and thus they typically are built with popular options and option packages. Not all options/packages are available separately and some may not be available in all regions of the country. See toyota.com for information about options/packages commonly available in your area. If you would prefer a vehicle with no or different options, contact your dealer to check for current availability or the possibility of placing a special order. **3.** On models equipped with available moonroof, maplights are located in the overhead console. **4.** The Toyota Tire Pressure Monitor alerts the driver when tire pressure is critically low. For optimal tire wear and performance, tire pressure should be checked regularly with a gauge; do not rely solely on the monitor system. See your *w* for details. **5.** Vehicle Stability Control (VSC) is an electronic system designed to help the driver maintain vehicle control under adverse conditions. It is not a substitute for safe driving practices. Factors including speed, road conditions and driver steering input can all affect whether VSC will be effective in preventing a loss of control. Please see your *Owner's Manual* for further details. **6.** XM services require a subscription after 90-day trial period. Subscriptions governed by XM Customer Agreement available at xmradio.com. **If you decide to continue your XM service at the end of your complimentary trial, the plan you choose will automatically renew and bill at then-current rates unless you call 1-800-967-2346 to cancel.** Fees and programming subject to change. Available only to those at least 18 years of age in the 48 contiguous United States and D.C. **7.** Navigation system and JBL® audio system cannot be combined. **8.** The Bluetooth® technology phones listed on toyota.com have been tested for compatibility with Toyota vehicles. Performance will vary based on phone software version, coverage and your wireless carrier. Phones are warranted by their manufacturer, not Toyota. **9.** Requires Power Package. **10.** Requires Sport Package. **11.** Availability and accuracy of the information provided by the navigation system or any XM services mentioned (if installed) are dependent upon many factors. Use common sense when relying on information provided. Services not available in every city or roadway. Periodic navigation updates available at additional cost. See your *Navigation System Owner's Manual* or contact XM for details. **12.** Leather-trimmed shift knob standard on XRS. **13.** All the airbag (AB) systems are Supplemental Restraint Systems. All ABs (if installed) are designed to inflate only under certain conditions and in certain types of severe collisions: frontal and knee ABs typically inflate in frontal collisions; side and side curtain ABs in side collisions; Roll-Sensing Curtain ABs at a severe tilt degree, roll or lateral G-force. In all other accidents, the ABs will not inflate. To decrease the risk of injury from an inflating AB, always wear seatbelts, sit upright in the middle of the seat as far back as possible and do not lean against the door. Do not put objects in front of an AB or around the seatback. Do not use a rearward-facing child seat in any front passenger seat. The force of an inflating AB may cause serious injury or death. See your *Owner's Manual* for further information/warnings. **14.** Active front headrests can help reduce the extent of whiplash in certain types of rear-end collisions. **15.** Brake Assist is designed to help the driver take full advantage of the benefits of ABS. It is not a substitute for safe driving practices. Braking effectiveness also depends on proper brake-system maintenance and tire and road conditions. **16.** The engine immobilizer is a state-of-the-art anti-theft system. When you insert your key into the ignition switch, the key transmits an electronic code to the vehicle. The engine will only start if the code in the transponder chip inside the key matches the code in the vehicle's immobilizer. Because the transponder chip is embedded in the key, it can be costly to replace. If you lose a key, your Toyota dealer can help, or you can find a qualified independent locksmith to replace your key or perform high-security key services at www.aloa.org. **17.** Before towing, confirm your vehicle and trailer are compatible, hooked up and loaded properly and that you have any necessary additional equipment. Do not exceed any Weight Ratings and follow all instructions in your *Owner's Manual*. The maximum you can tow depends on the total weight of any cargo, occupants and available equipment. **18.** 2010 EPA-estimated mileage. Actual mileage will vary. **19.** This floor mat was designed specifically for use in your model and model year vehicle and SHOULD NOT be used in any other vehicle. To avoid potential interference with pedal operation, each mat must be secured with retention hooks/clips. Do not install a floor mat on top of an existing floor mat. **20.** Performance of BLU Logic® compatible phones will vary based on phone software version, coverage and your wireless carrier. See www.blulogicupdate.com for more details. **21.** Interface kit for iPod® not available if vehicle is equipped with XM® Radio services. **22.** iPod® is a registered trademark of Apple, Inc. All rights reserved. **23.** Available for vehicles with factory remote keyless entry.

Some vehicles are shown with available equipment. Seatbelts should be worn at all times. For details on vehicle specifications, standard features and available equipment in your area, contact your Toyota dealer. A vehicle with particular equipment may not be available at the dealership. Ask your Toyota dealer to help locate a specifically equipped vehicle.

All information presented herein is based on data available at the time of printing, is subject to change without notice and pertains specifically to mainland U.S.A. vehicles only.



For Toyota Mobility program details, go to www.toyota.com/mobility or call the Toyota Customer Assistance Center at 1-800-331-4331