

Foreword

Welcome to the growing group of value-conscious people who drive Toyotas. We are proud of the advanced engineering and quality construction of each vehicle we build.

This Owner's Manual explains the operation of your new Toyota. Please read it thoroughly and have all the occupants follow the instructions carefully. Doing so will help you enjoy many years of safe and trouble-free motoring. For important information about this manual and your Toyota, read the following pages carefully.

When it comes to service, remember that your Toyota dealer knows your vehicle very well and is interested in your complete satisfaction. Your Toyota dealer will provide quality maintenance and any other assistance you may require.

Please leave this Owner's Manual in this vehicle at the time of resale. The next owner will need this information also.

All information and specifications in this manual are current at the time of printing. However, because of Toyota's policy of continual product improvement, we reserve the right to make changes at any time without notice.

Please note that this manual applies to all models and explains all equipment, including options. Therefore, you may find some explanations for equipment not installed on your vehicle.

تلفن شماره روزی: ۰۲۱-۸۸۶۲۰۸۵
TOYOTA MOTOR CORPORATION

FarmaSOS.com

© 2011 TOYOTA MOTOR CORPORATION


All rights reserved. This material may not be reproduced or copied, in whole or in part, without the written permission of Toyota Motor Corporation.

Important information about this manual

Safety and vehicle damage warnings

Throughout this manual, you will see safety and vehicle damage warnings. You must follow these warnings carefully to avoid possible injury or damage.

The types of warnings, what they look like, and how they are used in this manual are explained as follows:

 CAUTION
This is a warning against anything which may cause injury to people if the warning is ignored. You are informed about what you must or must not do in order to reduce the risk of injury to yourself and others.

NOTICE
<i>This is a warning against anything which may cause damage to the vehicle or its equipment if the warning is ignored. You are informed about what you must or must not do in order to avoid or reduce the risk of damage to your vehicle and its equipment.</i>

Safety symbol



When you see the safety symbol shown above, it means: “Do not...”; “Do not do this”; or “Do not let this happen”.

Important information about your Toyota

Occupant restraint systems

Toyota encourages you and your family to take the time to read Section 1–3 of this Owner's Manual carefully. In terms of helping you understand how you can receive the maximum benefit of the occupant restraint systems this vehicle provides, Section 1–3 of this Owner's Manual is the most important Section for you and your family to read.

Section 1–3 describes the function and operation concerning seats, seat belts, SRS airbags and child restraint systems of this vehicle and some potential hazards you should be aware of. These systems work together along with the overall structure of this vehicle in order to provide occupant restraint in the event of a crash. The effect of each system can be enhanced when it is used properly and together with other systems. No single occupant restraint system can, by itself, provide you or your family with the restraint equal to that which these systems can provide when used together. That is why it is important for you and your family to understand the purpose and proper use of each of these systems and how they relate to each other.

The purpose of all occupant restraint systems is to help reduce the possibility of death or serious injury in the event of a collision. None of these systems, either individually or together, can ensure that there is no injury in the event of collision. However, the more you know about these systems and how to use them properly, the greater your chances become of surviving an accident without death or serious injury.

Seat belts provide the primary restraint to all occupants of the vehicle, and every occupant of the vehicle should wear seat belts properly at all times. Children should always be secured in child restraint systems that are appropriate for their age and size. SRS (Supplemental Restraint System) airbags are, as their names imply, designed to work with, and supplement the seat, seat belts and are not substitutes for them. SRS airbags can be very effective in reducing the risk of head and chest injuries by reducing the chance of contact by the head, chest and knee with interior portions of the vehicle.

In order to be effective, the SRS airbags must deploy with tremendous speed. The rapid deployment of the SRS airbags makes the SRS airbags themselves potential sources of death or serious injury if an occupant is too close to an airbag, or if an object or some part of his or her body has been placed between the occupant and the airbag at the time of deployment. This is just one example of how the instructions in Section 1-3 of this Owner's Manual will help ensure proper use of the occupant restraint systems, and increase the safety they can provide to you and your family in the event of an accident.

Toyota recommends you to read the provisions in Section 1-3 carefully and refer to them as needed during your time of ownership of this vehicle.

FarmaSOS.com

**Accessories, spare parts and
modification of your Toyota**

Both genuine Toyota and a wide variety of other spare parts and accessories for Toyota vehicles are currently available on the market. Should it be determined that any of the genuine Toyota parts or accessories supplied with the vehicle need to be replaced, Toyota recommends that genuine Toyota parts or accessories, be used to replace them. Other parts or accessories of matching quality can also be used. Toyota cannot accept any liability or guarantee spare parts and accessories which are not genuine Toyota products, nor for replacement or installation involving such parts. In addition, damage or performance problems resulting from the use of non-genuine Toyota spare parts or accessories may not be covered under warranty.

تلفن شبانه روزی: ۰۲۱-۸۸۸۶۲۰۸۵

FarmaSOS.com

Installation of an RF-transmitter system

As the installation of an RF-transmitter system in your vehicle could affect electronic systems such as multiport fuel injection system/sequential multiport fuel injection system, electronic throttle control system, electronically controlled fuel pump, cruise control system, anti-lock brake system, traction control system, VSC+ system, downhill assist control system, hill-start assist control system, SRS airbag system and seat belt pretensioner system, be sure to check with any authorized Toyota dealer or repairer, or another duly qualified and equipped professional for precautionary measures or special instructions regarding installation.

Further information regarding frequency bands, power levels, antenna positions and installation provisions for the installation of RF-transmitters, is available on request at any authorized Toyota dealer or repairer, or another duly qualified and equipped professional.

تلفن شبانه روزی: ۰۲۱-۸۸۸۶۲۰۸۵

Smart entry and start system

Users of any electrical medical devices such as implanted pacemakers should consult the manufacturer of the device for information about its operation under the influence of radio waves. Radio waves could have unexpected effects on the operation of such medical devices. For details, see "Keys" on page 25 in Section 1-2.

Maintenance schedule

Please refer to the separate “Toyota Service Booklet” or “Toyota Warranty Booklet”.

Scrapping of your Toyota

The SRS airbag and seat belt pretensioner devices in your Toyota contain explosive chemicals. If the vehicle is scrapped with the airbags and pretensioners left as they are, this may cause an accident such as fire. Be sure to have the systems of the SRS airbag and seat belt pretensioner removed and disposed of by a qualified service shop or by an authorized Toyota dealer or repairer, or another duly qualified and equipped professional, before you dispose of your vehicle.

Fuel information for TOYOTA D-CAT*¹ models (2AD-FHV engine) and models with 2AD-FTV engine and DPF*² catalytic converter

Use only low sulfur diesel fuel (50 ppm or less of sulfur contents). See “Fuel” on page 385 in Section 2 for details.

*1: TOYOTA D-CAT: TOYOTA Diesel-Clean Advanced Technology

*2: DPF: Diesel Particulate Filter System

On-pavement and off-road driving tips

This vehicle belongs to the utility vehicle class. Utility vehicles have a significantly higher rollover rate than other types of vehicles. This vehicle will handle and maneuver differently from an ordinary passenger car because it is designed for off-road use also. In addition, this vehicle has a higher ground clearance and center of gravity than that of an ordinary passenger car. This vehicle design feature causes this type of vehicle to be more likely to rollover. Failure to operate this vehicle correctly may result in loss of control, accidents or vehicle rollover causing death or serious injury. Be sure to read "Utility vehicle precautions" on page 382 in Section 2 and "Off-road driving precautions" on page 423 in Section 3.

تلفن شبانه روزی: ۰۲۱-۸۸۶۲۸۵



Your vehicle contains batteries and/or accumulators. Do not discard them into the environment but cooperate with separate collection (Directive 2006/66/EC).

Table of contents

1 OPERATION OF INSTRUMENTS AND CONTROLS	Page
1 Overview of instruments and controls	1
2 Keys and Doors	21
3 Occupant restraint systems	83
4 Steering wheel and Mirrors	167
5 Lights, Wipers and Defogger	175
6 Gauges, Meters and Service reminder indicators	197
7 Engine (ignition) switch, Transmission and Parking brake ...	231
8 Audio and hands-free phone systems	281
9 Air conditioning system	333
10 Other equipment	355
2 INFORMATION BEFORE DRIVING YOUR TOYOTA	381
3 STARTING AND DRIVING	409
4 IN CASE OF AN EMERGENCY	435
5 CORROSION PREVENTION AND APPEARANCE CARE ...	485
6 MAINTENANCE REQUIREMENTS	495
7 DO-IT-YOURSELF MAINTENANCE	
1 Introduction	499
2 Engine and Chassis	509
3 Electrical components	525
8 SPECIFICATIONS	547
9 INDEX	563

Model code

Check the model code to see what type of model your vehicle is.

Basic code

ZSA: Models with 3ZR-FAE engine
ACA: Models with 1AZ-FE engine
ALA: Models with 2AD-FTV or 2AD-FHV engine

Z S A ○ ○ ○ - ○ ○ ○ ○ ○ ○ ○ ○

The model code appears on the manufacturer's label with the heading "MODEL". See "Your Toyota's identification" on page 404 in Section 2 for the manufacturer's label location.

تلفن شبانه روزی: ۰۲۱-۸۸۸۶۲۰۸۵

FarmaSOS.com

Section 1-1 OPERATION OF INSTRUMENTS AND CONTROLS

Overview of instruments and controls

- Instrument panel overview 2
- Instrument cluster overview 18
- Indicator symbols on the instrument panel 19

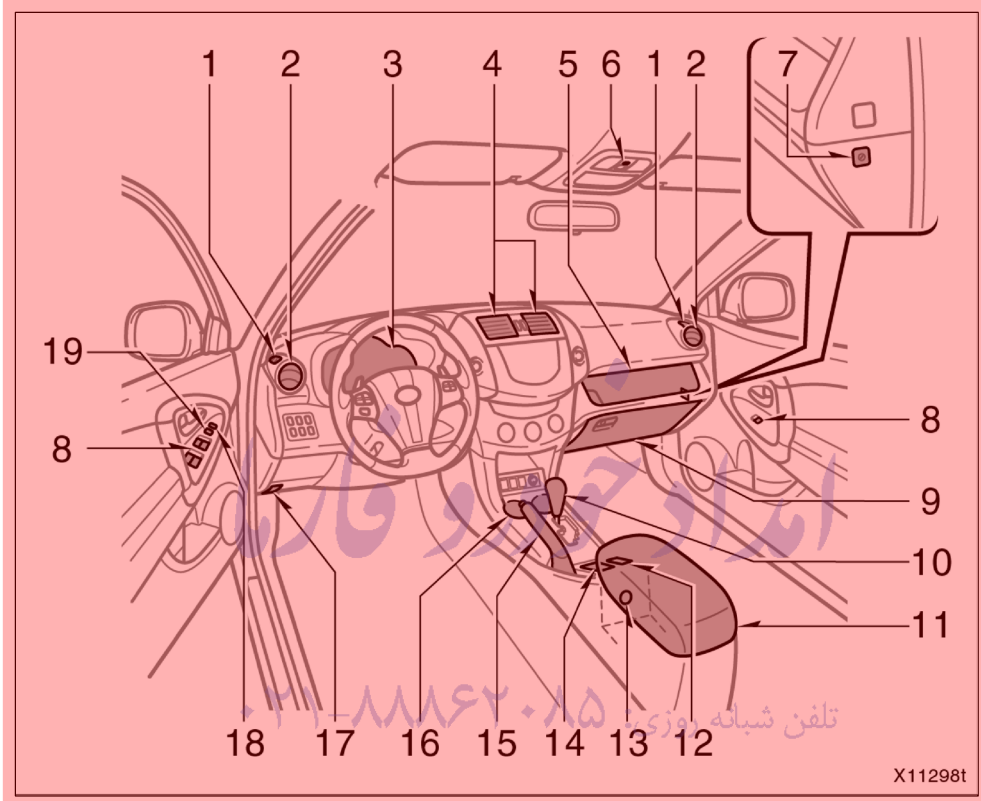
امداد خودرو فارما

تلفن شبانه روزی: ۰۲۱-۸۸۸۶۲۰۸۵

FarmaSOS.com

Instrument panel overview (left-hand drive vehicles)

►View A

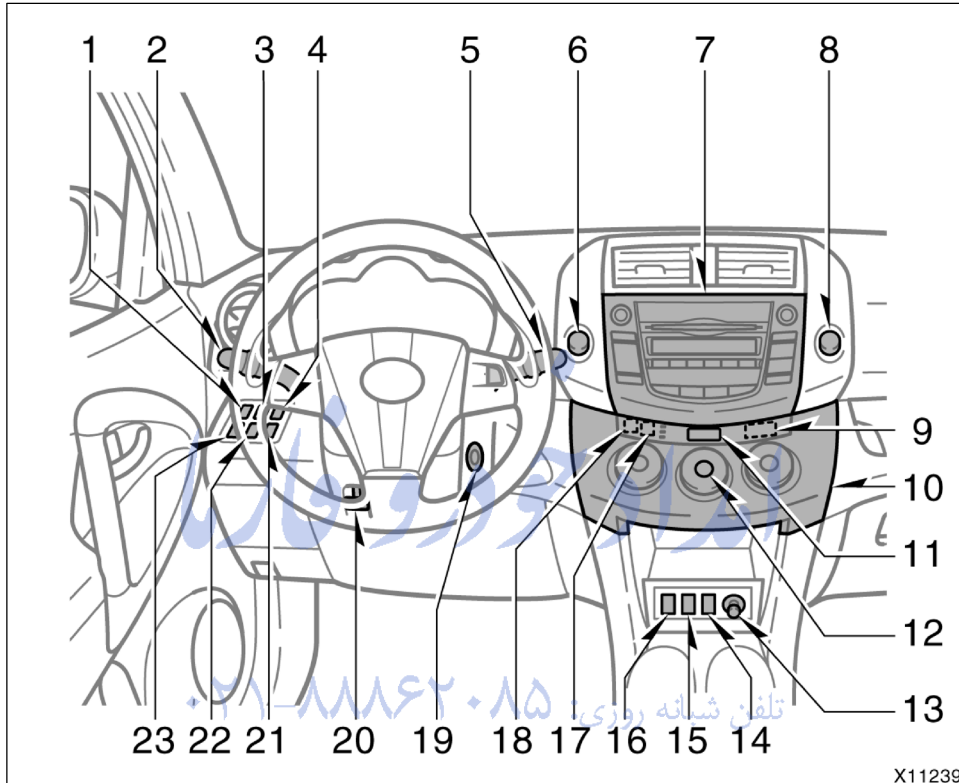


X11298t

- | | |
|--------------------------------|---|
| 1. Side defroster outlets | 11. Rear console box |
| 2. Side vents | 12. AUX port/USB port* |
| 3. Instrument cluster | 13. Power outlet |
| 4. Center vents | 14. Power rear view mirror control switches |
| 5. Auxiliary box | 15. Parking brake lever |
| 6. Microphone | 16. Cup holders |
| 7. Airbag manual on-off switch | 17. Hood lock release lever |
| 8. Power window switches | 18. Window lock switch |
| 9. Glove box | 19. Power door lock switch |
| 10. Shift lever | |

*: Refer to “touch screen” Owner’s manual”.

►View B (without smart entry and start system and manual air conditioning controls)



- | | |
|--|--|
| 1. Instrument panel light control dial | 10. Air conditioning controls |
| 2. Headlight, turn signal, front fog and rear fog light switches | 11. Clock display |
| 3. Power heater switch | 12. Rear window and outside rear view mirror defogger switch |
| 4. Downhill assist control switch ("DAC" switch) | 13. Cigarette lighter |
| 5. Wiper and washer switches | 14. Windshield wiper de-icer switch |
| 6. Four-wheel drive lock switch | 15. Seat heater switch |
| 7. Audio system | 16. VSC OFF switch |
| 8. Emergency flasher switch | 17. Front passenger's seat belt reminder light |
| 9. Front passenger airbag on-off indicator light | 18. Security indicator light |

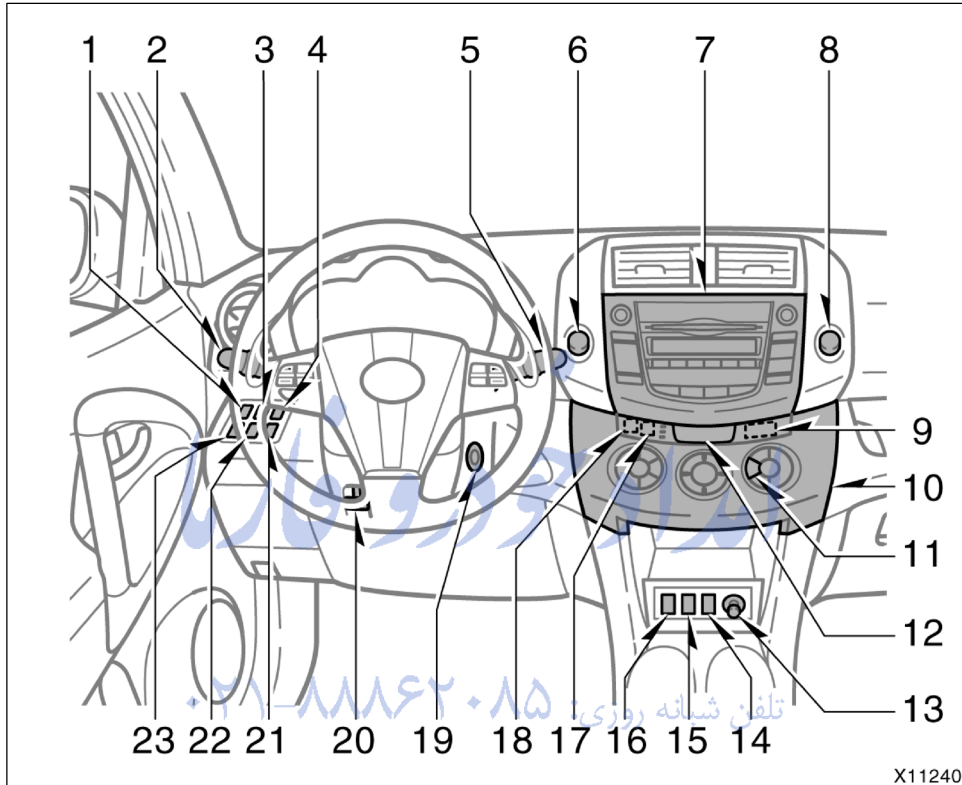
19. Engine (ignition) switch
20. Tilt and telescopic steering lock release lever
21. "SPORT" mode switch
22. Headlight beam level control dial
23. Headlight cleaner switch

امداد خودرو فارما

تلفن شبانه روزی: ۰۲۱-۸۸۸۶۲۰۸۵

FarmaSOS.com

►View B (without smart entry and start system and automatic air conditioning controls)



- | | |
|---|--|
| 1. Instrument panel light control dial | 9. Front passenger airbag on-off indicator light |
| 2. Headlight, turn signal, front fog and rear fog light switches | 10. Air conditioning controls |
| 3. Power heater switch | 11. Rear window and outside rear view mirror defogger switch |
| 4. Downhill assist control switch ("DAC" switch) | 12. Clock and air conditioning display |
| 5. Wiper and washer switches | 13. Cigarette lighter |
| 6. Four-wheel drive lock switch | 14. Windshield wiper de-icer switch |
| 7. Audio system/navigation system* ¹ including audio system/"touch screen"* ² | 15. Seat heater switch |
| 8. Emergency flasher switch | 16. VSC OFF switch |
| | 17. Front passenger's seat belt reminder light |

X11240t

18. Security indicator light
19. Engine (ignition) switch
20. Tilt and telescopic steering lock release lever
21. "SPORT" mode switch
22. Headlight beam level control dial
23. Headlight cleaner switch

*1: Refer to "Navigation system Owner's manual".

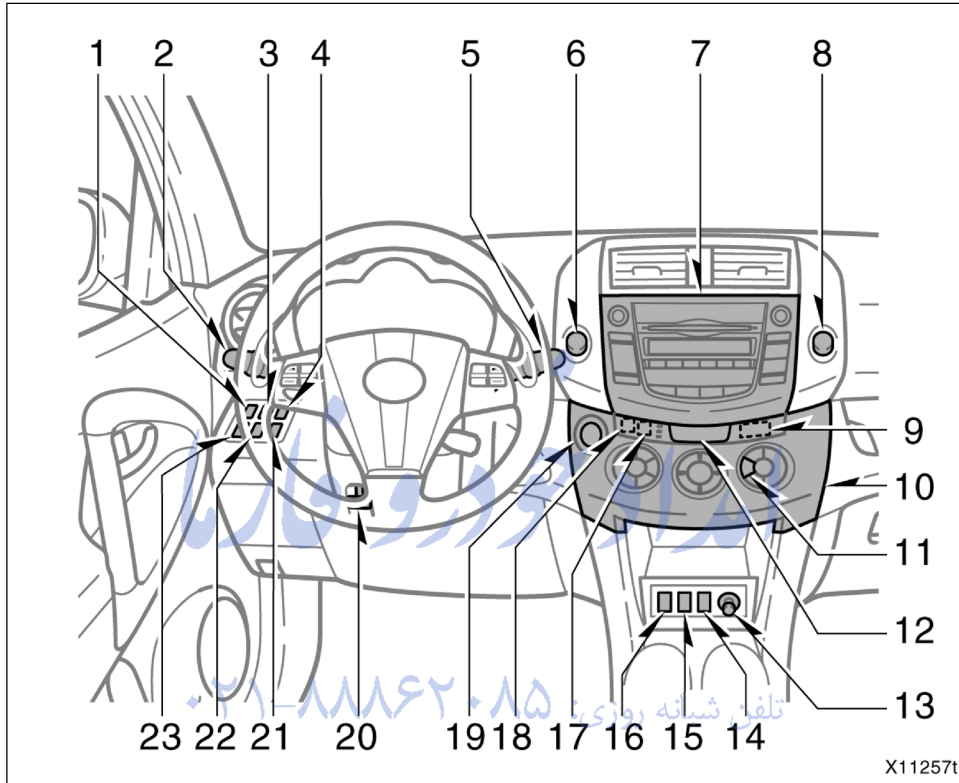
*2: Refer to "touch screen Owner's manual".

امداد خودرو فارما

تلفن شبانه روزی: ۰۲۱-۸۸۸۶۲۰۸۵

FarmaSOS.com

►View B (with smart entry and start system)



- | | |
|---|--|
| 1. Instrument panel light control dial | 9. Front passenger airbag on-off indicator light |
| 2. Headlight, turn signal, front fog and rear fog light switches | 10. Air conditioning controls |
| 3. Power heater switch | 11. Rear window and outside rear view mirror defogger switch |
| 4. Downhill assist control switch ("DAC" switch) | 12. Clock and air conditioning display |
| 5. Wiper and washer switches | 13. Cigarette lighter |
| 6. Four-wheel drive lock switch | 14. Windshield wiper de-icer switch |
| 7. Audio system/navigation system* ¹ including audio system/"touch screen"* ² | 15. Seat heater switch |
| 8. Emergency flasher switch | 16. VSC OFF switch |
| | 17. Front passenger's seat belt reminder light |

X11257t

18. Security indicator light
19. "ENGINE START STOP" switch
20. Tilt and telescopic steering lock release lever
21. "SPORT" mode switch
22. Headlight beam level control dial
23. Headlight cleaner switch

*1: Refer to "Navigation system Owner's manual".

*2: Refer to "touch screen Owner's manual".

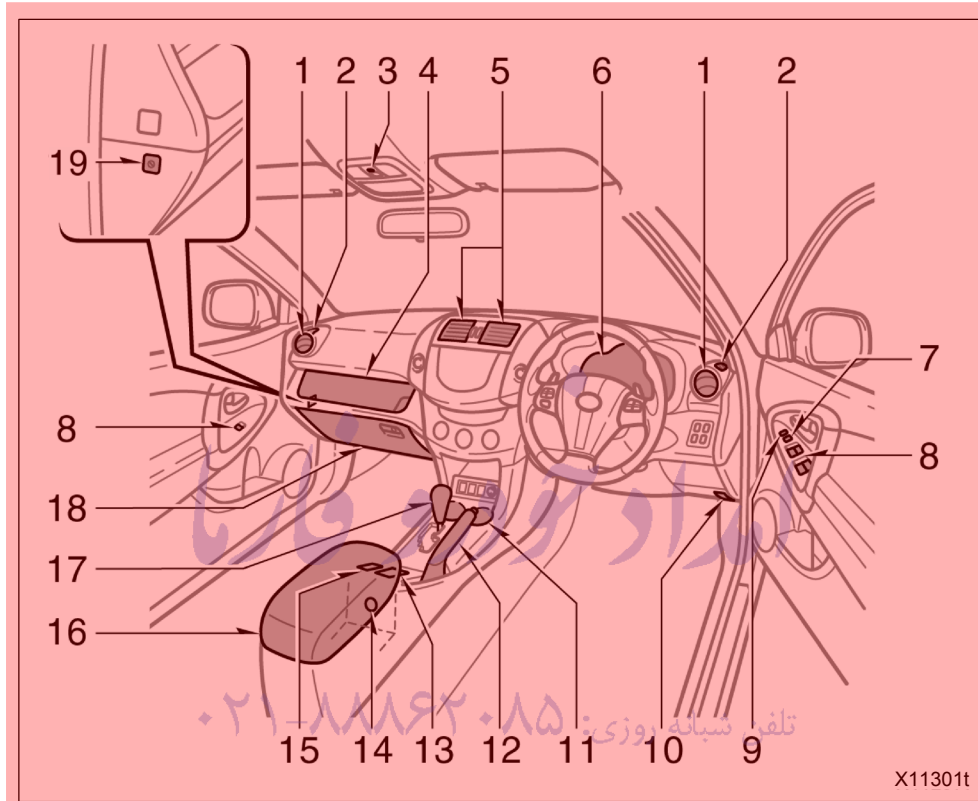
امداد خودرو فارما

تلفن شبانه روزی: ۰۲۱-۸۸۸۶۲۰۸۵

FarmaSOS.com

Instrument panel overview (right-hand drive vehicles)

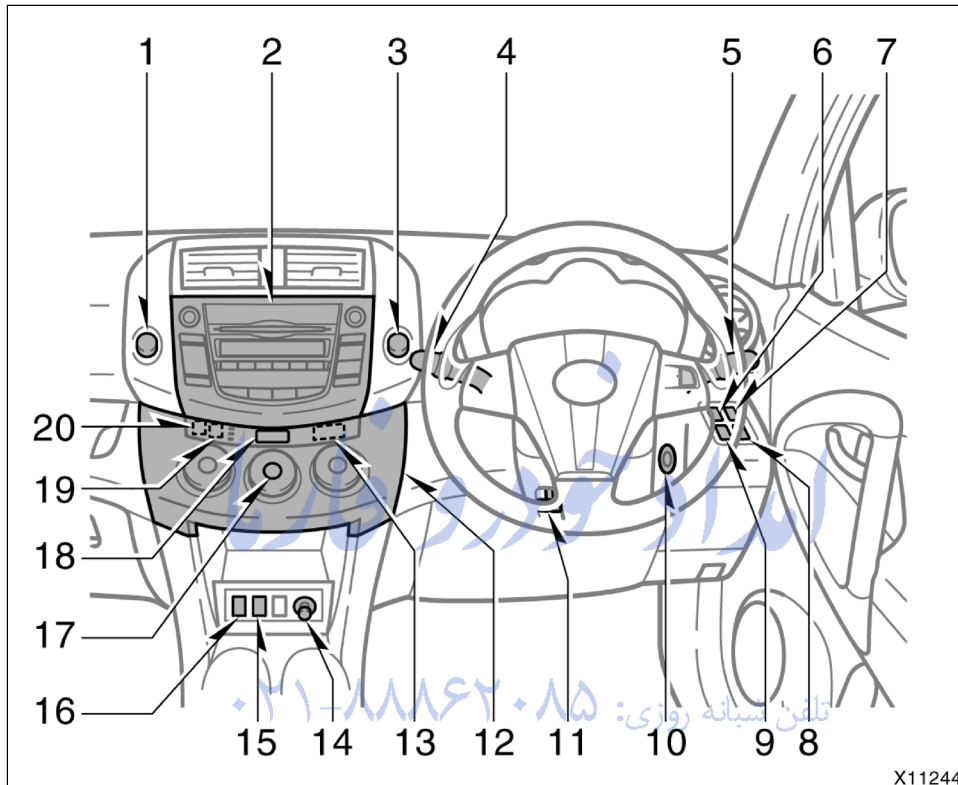
►View A



X11301t

- | | |
|-----------------------------|---|
| 1. Side vents | 12. Parking brake lever |
| 2. Side defroster outlets | 13. Power rear view mirror control switches |
| 3. Microphone | 14. Power outlet |
| 4. Auxiliary box | 15. AUX port/USB port* |
| 5. Center vents | 16. Rear console box |
| 6. Instrument cluster | 17. Shift lever |
| 7. Power door lock switch | 18. Glove box |
| 8. Power window switches | 19. Airbag manual on-off switch |
| 9. Window lock switch | *: Refer to “touch screen” Owner’s manual”. |
| 10. Hood lock release lever | |
| 11. Cup holders | |

►View B (without smart entry and start system and manual air conditioning controls)



X11244t

- | | |
|--|--|
| 1. Emergency flasher switch | 10. Engine (ignition) switch |
| 2. Audio system | 11. Tilt and telescopic steering lock release lever |
| 3. Four-wheel drive lock switch | 12. Air conditioning controls |
| 4. Headlight, turn signal, front fog and rear fog light switches | 13. Front passenger airbag on-off indicator light |
| 5. Wiper and washer switches | 14. Cigarette lighter |
| 6. Downhill assist control switch ("DAC" switch) | 15. Seat heater switch |
| 7. Instrument panel light control dial | 16. VSC OFF switch |
| 8. "SPORT" mode switch | 17. Rear window and outside rear view mirror defogger switch |
| 9. Headlight beam level control dial | |

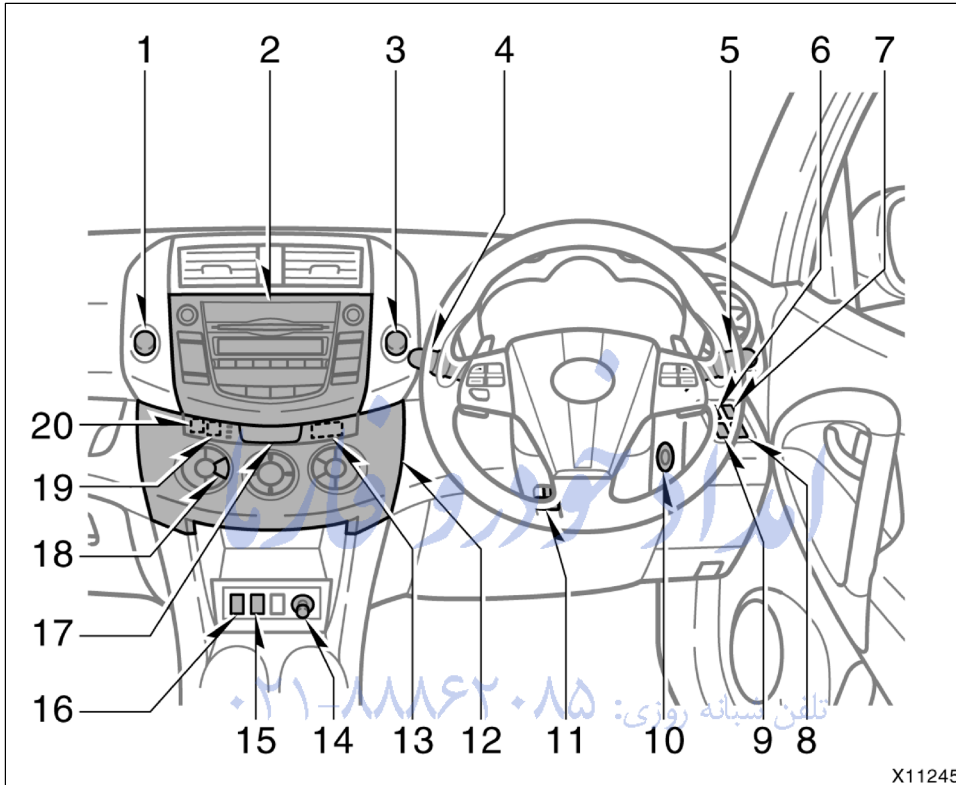
18. Clock display
19. Front passenger's seat belt reminder light
20. Security indicator light

امداد خودرو فارما

تلفن شبانه روزی: ۰۲۱-۸۸۸۶۲۰۸۵

FarmaSOS.com

►View B (without smart entry and start system and automatic air conditioning controls)



X11245t

- | | |
|---|---|
| 1. Emergency flasher switch | 9. Headlight beam level control dial |
| 2. Audio system/navigation system*1 including audio system/"touch screen"*2 | 10. Engine (ignition) switch |
| 3. Four-wheel drive lock switch | 11. Tilt and telescopic steering lock release lever |
| 4. Headlight, turn signal, front fog and rear fog light switches | 12. Air conditioning controls |
| 5. Wiper and washer switches | 13. Front passenger airbag on-off indicator light |
| 6. Downhill assist control switch ("DAC" switch) | 14. Cigarette lighter |
| 7. Instrument panel light control dial | 15. Seat heater switch |
| 8. "SPORT" mode switch | 16. VSC OFF switch |
| | 17. Clock and air conditioning display |

18. Rear window and outside rear view mirror defogger switch
19. Front passenger's seat belt reminder light
20. Security indicator light

*1: Refer to "Navigation system Owner's manual".

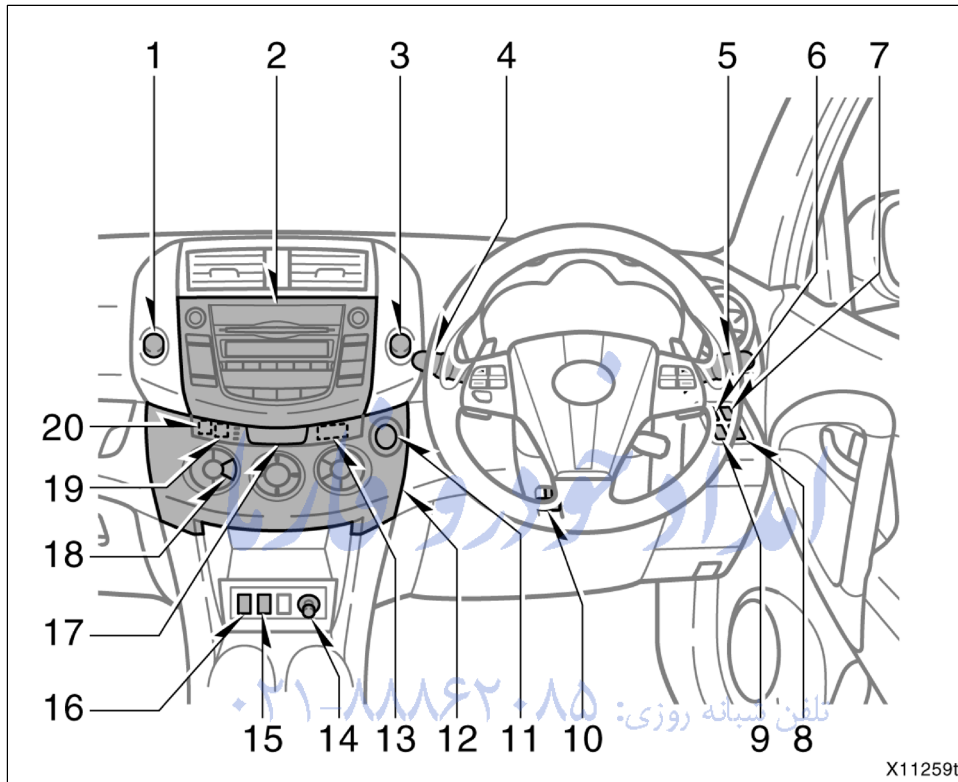
*2: Refer to "touch screen Owner's manual".

امداد خودرو فارما

تلفن شبانه روزی: ۰۲۱-۸۸۸۶۲۰۸۵

FarmaSOS.com

►View B (with smart entry and start system)



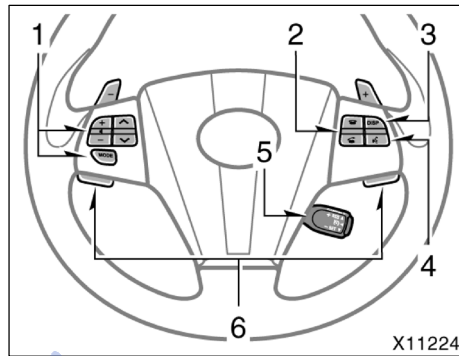
- | | |
|---|---|
| 1. Emergency flasher switch | 9. Headlight beam level control dial |
| 2. Audio system/navigation system*1 including audio system/"touch screen"*2 | 10. Tilt and telescopic steering lock release lever |
| 3. Four-wheel drive lock switch | 11. "ENGINE START STOP" switch |
| 4. Headlight, turn signal, front fog and rear fog light switches | 12. Air conditioning controls |
| 5. Wiper and washer switches | 13. Front passenger airbag on-off indicator light |
| 6. Downhill assist control switch ("DAC" switch) | 14. Cigarette lighter |
| 7. Instrument panel light control dial | 15. Seat heater switch |
| 8. "SPORT" mode switch | 16. VSC OFF switch |
| | 17. Clock and air conditioning display |

X11259t

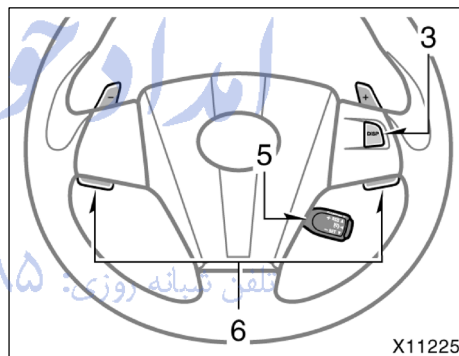
► Steering switches

- 18. Rear window and outside rear view mirror defogger switch
- 19. Front passenger's seat belt reminder light
- 20. Security indicator light

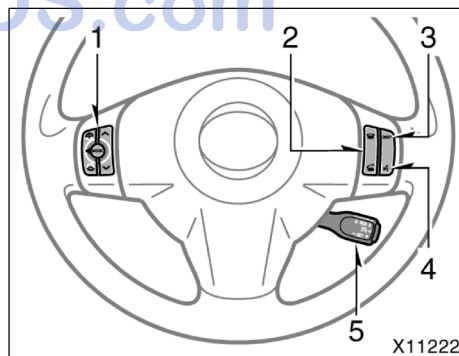
*1: Refer to "Navigation system Owner's manual".
 *2: Refer to "touch screen Owner's manual".



Type A



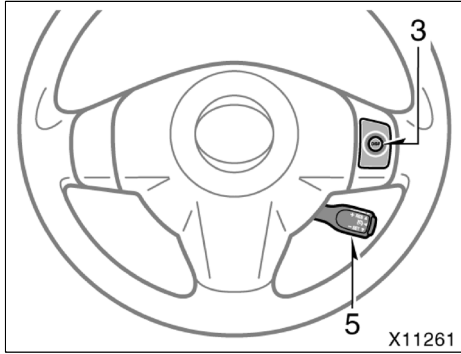
Type B



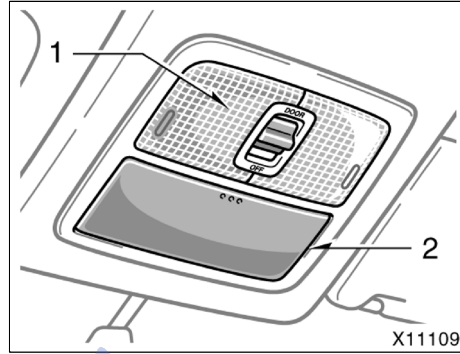
Type C

ایراد خودرو فارما
 تلفن کبیانه روزی: ۰۲۱-۸۸۶۲۰۸۵
 FarmaSOS.com

►Overhead console

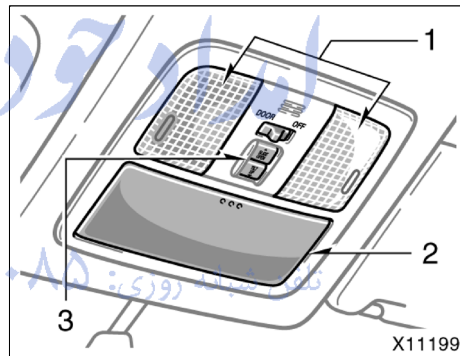


Type D

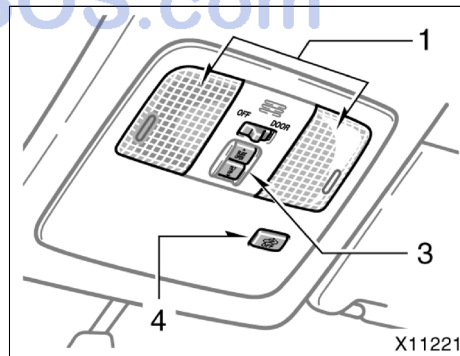


Type A

1. Audio remote control switches
2. Telephone switch
3. "DISP" switch
4. Talk switch
5. Cruise control switch
6. Paddle shift switches



Type B



Type C

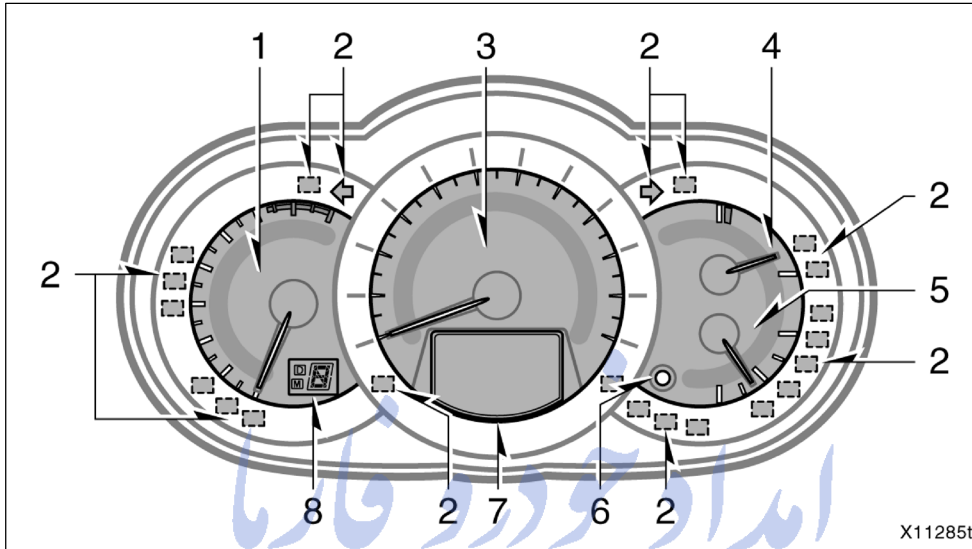
1. Front personal lights
2. Auxiliary box
3. Electric moon roof switch
4. Intrusion sensor cancelling switch

امداد خودرو فارما

تلفن شبانه روزی: ۰۲۱-۸۸۸۶۲۰۸۵

FarmaSOS.com




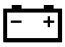










Instrument cluster overview












- | | |
|---|------------------------------|
| 1. Tachometer | 5. Fuel gauge |
| 2. Service reminder indicators and indicator lights | 6. "ODO/TRIP" knob |
| 3. Speedometer | 7. Multi-information display |
| 4. Engine coolant temperature gauge | 8. Shift position indicator |

X11285t

Indicator symbols on the instrument panel

	Brake system warning light* ¹
	Driver's seat belt reminder light* ¹
PASSENGER 	Front passenger's seat belt reminder light* ¹
	Charging system warning light* ¹
	Malfunction indicator lamp* ¹
	Low fuel level warning light* ¹
	Anti-lock brake system warning light* ¹
	SRS warning light* ¹
	VSC OFF indicator light
	Electric power steering system warning light* ¹
	Master warning light* ¹
PASSENGER AIRBAG OFF   ON SAFE FOR CHILD ADULT ONLY	Front passenger airbag on-off indicator light
	Tail light indicator light

	Headlight high beam indicator light
	Turn signal indicator lights
	Front fog light indicator light
	Rear fog light indicator light
SPORT	"SPORT" indicator light
	Four-wheel drive lock indicator light
	Slip indicator light
AUTO LSD	"AUTO LSD" indicator light
	Cruise control indicator light*2
	Downhill assist control system indicator light
	Engine preheating indicator light

*1: For details, see "Service reminder indicators and warning buzzers" on page 220 in Section 1-6.

*2: If this light flashes, see "Cruise control" on page 277 in Section 1-7.

Section 1-2 OPERATION OF INSTRUMENTS AND CONTROLS

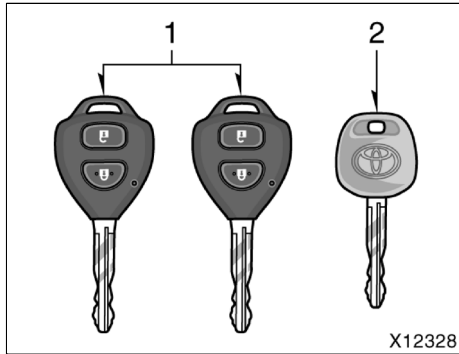
Keys and Doors

- Keys 22
- Engine immobilizer system 27
- Wireless remote control 35
- Smart entry and start system 48
- Doors 60
- Power windows 67
- Hood 70
- Theft deterrent system 71
- Fuel tank cap 76
- Electric moon roof 78

تلفن شبانه روزی: ۰۲۱-۸۸۸۶۲۰۸۵

FarmaSOS.com

Keys (without smart entry and start system)



When bringing a wireless remote control key onto an aircraft, make sure you do not press any buttons on the wireless remote control key while inside the aircraft cabin. If you are carrying a wireless remote control key in your bag etc, ensure that the buttons are not likely to be pressed accidentally. Pressing a button may cause the wireless remote control key to emit radio waves that could interfere with the operation of the aircraft.

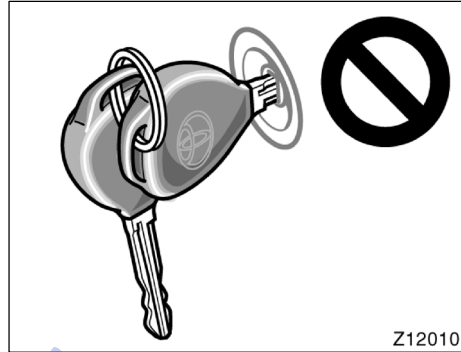
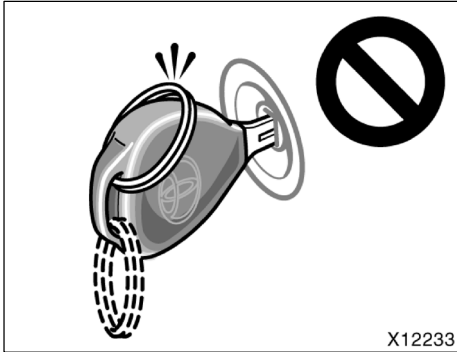
Your vehicle is supplied with two kinds of keys.

1. Master keys (black)—These keys work in every lock. Your authorized Toyota dealer or repairer, or another duly qualified and equipped professional, will need one of them to make a new key with a built-in transponder chip.
2. Sub key (gray)—This key will not work in the glove box.

A transponder chip for engine immobilizer system has been placed in the head of the master and sub keys. These chips are needed to enable the system to function correctly, so be careful not to lose these keys. If you make your own duplicate key, you will not be able to cancel the system or start the engine.

To protect items locked in the glove box when using valet parking, leave the sub key with the attendant.

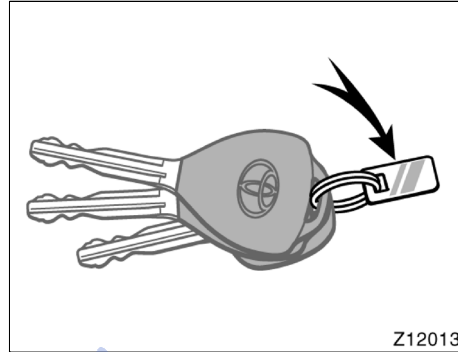
Since the side doors can be locked without a key, you should always carry a spare key in case you accidentally lock your keys inside the vehicle.

**NOTICE**

When using a key containing a transponder chip, observe the following precautions:

◆ *When starting the engine, do not use the key with a key ring resting on the key grip and do not press the key ring against the key grip. Otherwise the engine may not start, or may stop soon after it starts.*

◆ *When starting the engine, do not use the key with other transponder keys around (including keys of other vehicles) and do not press other key plates against the key grip. Otherwise the engine may not start, or may stop soon after it starts. If this happens, remove the key once and then insert it again after removing other transponder keys (including keys of other vehicles) from the ring or while gripping or covering them with your hand to start the engine.*



- ◆ **Do not bend the key grip.**
- ◆ **Do not cover the key grip with any material that cuts off electromagnetic waves.**
- ◆ **Do not knock the key hard against other objects.**
- ◆ **Do not leave the key exposed to high temperatures for a long period, such as on the dashboard and hood under direct sunlight.**
- ◆ **Do not put the key in water or wash it in an ultrasonic washer.**
- ◆ **Do not use the key with electromagnetic materials.**

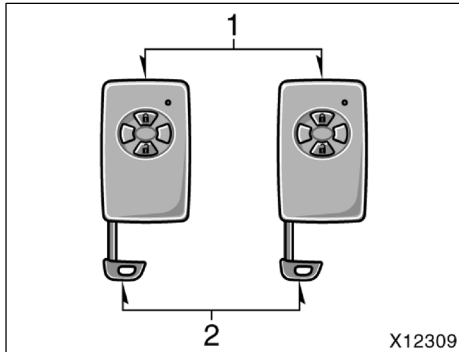
KEY NUMBER PLATE

Your key number is shown on the plate. Keep the plate in a safe place such as your wallet, not in the vehicle.

If you should lose your keys or if you need additional keys, duplicates can be made by any authorized Toyota dealer or repairer, or another duly qualified and equipped professional, using the key number.

We recommend writing down the key number and storing it in a safe place.

Keys (with smart entry and start system)



X12309

The key consists of an electronic key and a mechanical key. The mechanical key is for emergency use. If the electronic key does not operate, you can open the driver's door using the mechanical key.

1. Electronic keys—These keys can lock or unlock all the doors by using the wireless remote control function or entry function of the smart entry and start system.
2. Mechanical keys—These keys can lock or unlock the driver's door and the glove box.

Electronic keys should not be left in the cabin. In the event that a electronic key is left in the cabin, the smart entry and start system will remain actuated even after the doors have been locked.

To protect items locked in the glove box when using valet parking, leave the electronic key with the attendant. Keep the mechanical key with you.

The electronic keys are required to deactivate the engine immobilizer, and are essential for the engine immobilizer to function correctly, so be careful not to lose these keys. If you make your own duplicate key, you will not be able to cancel the system or start the engine.

When bringing an electronic key onto an aircraft, make sure you do not press any buttons on the electronic key while inside the aircraft cabin. If you are carrying an electronic key in your bag etc, ensure that the buttons are not likely to be pressed accidentally. Pressing a button may cause the electronic key to emit radio waves that could interfere with the operation of the aircraft.

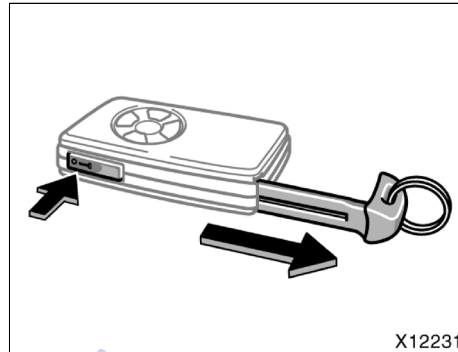
CAUTION

- People with implanted pacemakers or cardiac defibrillators should maintain a reasonable distance between themselves and the smart entry and start system antennas. For the antenna locations, see “ANTENNA LOCATIONS” on page 50 in this Section. The radio waves may affect the operation of such devices. If necessary, the entry function can be disabled. Ask any authorized Toyota dealer or repairer, or another duly qualified and equipped professional for details, such as the frequency of radio waves and timing of emitting the radio waves. Then, consult your doctor to see if you should disable the entry function.
- User of any electrical medical device other than implanted pacemakers and implanted cardiac defibrillators should consult the manufacturer of the device for information about its operation under the influence of radio waves. Radio waves could have unexpected effects on the operation of such medical devices.
- For details for disabling the entry function, see “DISABLING THE SMART ENTRY AND START SYSTEM” on page 53 in this Section.

NOTICE

When using a electronic key, observe the following precautions:

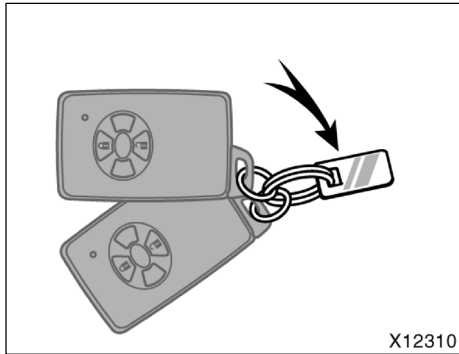
- ◆ *Do not affix any material that cuts off electromagnetic waves (such as a metal seal) on the electronic key.*
- ◆ *Do not knock the electronic key hard against other objects.*
- ◆ *Do not leave the electronic key exposed to high temperatures for a long period, such as on the dashboard or hood under direct sunlight.*
- ◆ *Do not put the electronic key in water or wash it in an ultrasonic washer.*
- ◆ *Do not keep the electronic key together with the products emitting electromagnetic waves such as a cellular phone.*
- ◆ *Do not disassemble the electronic key.*
- ◆ *Do not place the electronic key near electrical appliances (e.g. television, computer or stereo) or electrical medical equipment such as low frequency medical appliances.*
- ◆ *If gasoline, polishing agents or oil adheres to the electronic key, it may deform or crack over time.*



X12231

USING A MECHANICAL KEY

When you use the mechanical key push the release button and take out the mechanical key as shown. Be sure to put the mechanical key back when not it use.



KEY NUMBER PLATE

Your key number is shown on the plate. Keep the plate in a safe place such as your wallet, not in the vehicle.

If you should lose your keys or if you need additional keys, duplicates can be made by any authorized Toyota dealer or repairer, or another duly qualified and equipped professional, using the key number.

We recommend writing down the key number and storing it in a safe place.

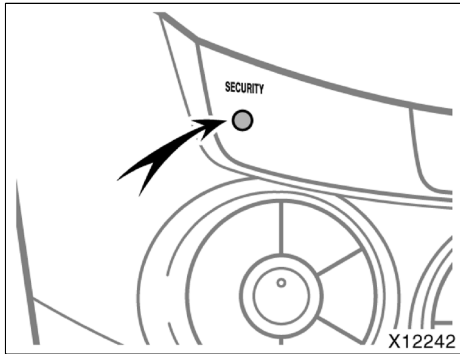
Engine immobilizer system

The engine immobilizer system is a theft prevention system using an electronic code.

Vehicles without smart entry and start system—The transponder chip in the key has an electronic code and transmits the code to the vehicle. Only when the electronic code in the chip corresponds to the register ID code for the vehicle, the engine immobilizer system will be canceled and the engine will start.

Vehicles with smart entry and start system—When you enter the vehicle carrying an electronic key and press the “ENGINE START STOP” switch, the electronic code in the key is automatically checked to determine whether it corresponds to the registered ID code for the vehicle. If the ID code is verified, you can start the engine.

Never leave the keys inside the vehicle when you leave the vehicle.



The engine immobilizer system is automatically set when:

Vehicles without smart entry and start system—The key is removed from the engine switch.

Vehicles with smart entry and start system—The “ENGINE START STOP” switch is turned off.

The indicator light will start flashing to show that the system is set.

In the following cases, contact any authorized Toyota dealer or repairer, or another duly qualified and equipped professional:

- The indicator light remains on.
- The indicator light does not start flashing under the following situations.
 - Vehicles without smart entry and start system—When the key is removed from the engine switch.
 - Vehicles with smart entry and start system—When the “ENGINE START STOP” switch is turned off.
- The indicator light flashes inconsistently.

The engine immobilizer system is automatically canceled when:

Vehicles without smart entry and start system—You insert the key to the engine switch.

Vehicles with smart entry and start system—You enter the vehicle carrying a key with smart entry and start system and press the “ENGINE START STOP” switch.

Even if the key battery is discharged, the engine can be started. See “Smart entry and start system” on page 48 in this Section.

When the system is canceled, the indicator light will go off.

The system is maintenance-free.

For your authorized Toyota dealer or workshop, or another duly qualified and equipped professional, to make you a new key with built-in transponder chip, your dealer will need your key number and master key (vehicles without smart entry and start system) or electronic key (vehicles with smart entry and start system). However, there is a limit to the number of additional keys that can be made for you.

NOTICE

Do not modify or remove the system. If modified or removed, the proper operation of the system cannot be guaranteed.

TOKAI RIKA

R&TTE Declaration of Conformity

We,

Manufacturer's Name: Tokai Rika Co., Ltd.
 Manufacturer's Address: 260, Toyota 3-chome, Oguchi-cho, Niwa-gun, Aichi-ken,
 480-0195, Japan

hereby declare under our sole responsibility that the product:

Product Name: Immobilizer
 Product Model: RI-20BTY

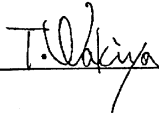
to which this declaration relates is in conformity with the essential requirements and other relevant requirements of the R&TTE Directive (1999/5/EC). The product is compliant with the following standards and/or other normative documents:

Safety: EN60950
 EMC: 72/245/EEC (last amended by 95/54/EC)
 Spectrum: EN300 330-2

Supplementary information:

* CE mark	CE 0336
* Member states intended for use	EU and EFTA
* Member states with restrictive use	None .

Date: April 15, 2005

Signature: 

Position of the signatory: General Manager,
 Electronics Engineering Div.

Hereby, Tokai Rika Co., Ltd., declares that this RI-20BTY is in compliance with the essential requirements and other relevant provisions of Directive 1999/5/EC.

Ovim, Tokai Rika Co., Ltd., izjavljuje da ovaj RI-20BTY je usklađen sa bitnim zahtjevima i drugim relevantnim odredbama Direktive 1999/5/EC.

امداد خودرو فارما

تلفن شبانه روزی: ۰۲۱-۸۸۸۶۲۰۸۵

FarmaSOS.com

TOYOTA

TOYOTA MOTOR CORPORATION

1, TOYOTA-CHO, TOYOTA, AICHI, 471-8571(Head Office)
or 471-8572(Research & Development Group) JAPAN
TEL : (0565)28 -2121

R&TTE Declaration of Conformity

We,

Manufacturer's Name: TOYOTA MOTOR CORPORATION
Manufacturer's Address: 1, Toyota-cho, Toyota, Aichi, 471-8572 Japan


hereby declare under our sole responsibility that the product:

Product Name: Immobilizer
Product Model: TMIMB-1

to which this declaration relates is in conformity with the essential requirements and other relevant requirements of the R&TTE Directive (1999/5/EC). The product is compliant with the following standards and/or other normative documents:

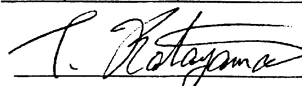
- Health & safety requirements: EN60950-1:2001
- EMC requirements: EN301 489-1 V1.4.1 & EN301 489-3 V1.4.1
- Effective use of radio spectrum: EN300 330-2 V1.1.1

Supplementary information:

* CE mark	
* Member states intended for use	EU and EFTA

Date: September 17, 2004

Signature:



Tomoaki Katayama

English

Hereby, Toyota Motor Corporation, declares that this TMIMB-1 is in compliance with the essential requirements and other relevant provisions of Directive 1999/5/EC.

Finnish

Toyota Motor Corporation vakuuttaa täten että TMIMB-1 tyyppinen laite on direktiivin 1999/5/EY oleellisten vaatimusten ja sitä koskevien direktiivin muiden ehtojen mukainen.

Dutch

Hierbij verklaart Toyota Motor Corporation dat het toestel TMIMB-1 in overeenstemming is met de essentiële eisen en de andere relevante bepalingen van richtlijn 1999/5/EG.

French

Par la présente Toyota Motor Corporation déclare que l'appareil TMIMB-1 est conforme aux exigences essentielles et aux autres dispositions pertinentes de la directive 1999/5/CE.

Swedish

Härmed intygar Toyota Motor Corporation att denna TMIMB-1 står i överensstämmelse med de väsentliga egenskapskrav och övriga relevanta bestämmelser som framgår av direktiv 1999/5/EG.

Danish

Undertegnede Toyota Motor Corporation erklærer herved, at følgende udstyr TMIMB-1 overholder de væsentlige krav og øvrige relevante krav i direktiv 1999/5/EF.

German

Hiermit erklärt Toyota Motor Corporation, dass sich das Gerät TMIMB-1 in Übereinstimmung mit den grundlegenden Anforderungen und den übrigen einschlägigen Bestimmungen der Richtlinie 1999/5/EG befindet.

Greek

ΜΕ ΤΗΝ ΠΑΡΟΥΣΑ Toyota Motor Corporation ΔΗΛΩΝΕΙ ΟΤΙ ΤΜΙΜΒ-1 ΣΥΜΜΟΡΦΟΝΕΤΑΙ ΠΡΟΣ ΤΙΣ ΟΥΣΙΩΔΕΙΣ ΑΠΑΙΤΗΣΕΙΣ ΚΑΙ ΤΙΣ ΛΟΙΠΕΣ ΣΧΕΤΙΚΕΣ ΔΙΑΤΑΞΕΙΣ ΤΗΣ ΟΔΗΓΙΑΣ 1999/5/ΕΚ.

Italian

Con la presente Toyota Motor Corporation dichiara che questo TMIMB-1 è conforme ai requisiti essenziali ed alle altre disposizioni pertinenti stabilite dalla direttiva 1999/5/CE.

Spanish

Por medio de la presente Toyota Motor Corporation declara que el TMIMB-1 cumple con los requisitos esenciales y cualesquiera otras disposiciones aplicables o exigibles de la Directiva 1999/5/CE.

Portuguese

Toyota Motor Corporation declara que este TMIMB-1 está conforme com os requisitos essenciais e outras disposições da Directiva 1999/5/CE.

Maltese

Hawnhekk, Toyota Motor Corporation, jiddikjara li dan TMIMB-1 jikkonforma mal-ftiġijiet essenzjali u ma provvedimenti oħrajn relevanti li hemm fid-Dirrettiva 1999/5/EC.

Estonian

Käesolevaga kinnitab Toyota Motor Corporation seadme TMIMB-1 vastavust direktiivi 1999/5/EÜ põhinõuetele ja nimetatud direktiivist tulenevatele teistele asjakohastele sätetele.

Hungarian

Alulírott, Toyota Motor Corporation nyilatkozom, hogy a TMIMB-1 megfelel a vonatkozó alapvető követelményeknek és az 1999/5/EC irányelv egyéb előírásainak.

Slovak

Toyota Motor Corporation týmto vyhlasuje, že TMIMB-1 spĺňa základné požiadavky a všetky príslušné ustanovenia Smernice 1999/5/ES.

Czech

Toyota Motor Corporation tímto prohlašuje, že tento TMIMB-1 je ve shodě se základními požadavky a dalšími příslušnými ustanoveními směrnice 1999/5/ES.

Slovenian

Toyota Motor Corporation izjavlja, da je ta TMIMB-1 v skladu z bistvenimi zahtevami in ostalimi relevantnimi določili direktive 1999/5/ES.

Lithuanian

Šiuo Toyota Motor Corporation deklaruoja, kad šis TMIMB-1 atitinka esminius reikalavimus ir kitas 1999/5/EB Direktyvos nuostatas.

Latvian

Ar šo Toyota Motor Corporation deklarē, ka TMIMB-1 atbilst Direktīvas 1999/5/EK būtiskajām prasībām un citiem ar to saistītajiem noteikumiem.

Polish

Niniejszym Toyota Motor Corporation oświadcza, że TMIMB-1 jest zgodny z zasadniczymi wymogami oraz pozostałymi stosownymi postanowieniami Dyrektywy 1999/5/EC.

Icelandic

Hér með lýsir Toyota Motor Corporation yfir því að TMIMB-1 er í samræmi við grunnkröfur og aðrar kröfur, sem gerðar eru í tilskipun 1999/5/EC.

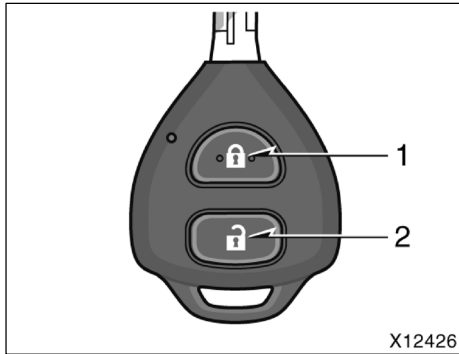
Norwegian

Toyota Motor Corporation erklærer herved at utstyret TMIMB-1 er i samsvar med de grunnleggende krav og øvrige relevante krav i direktiv 1999/5/EF.

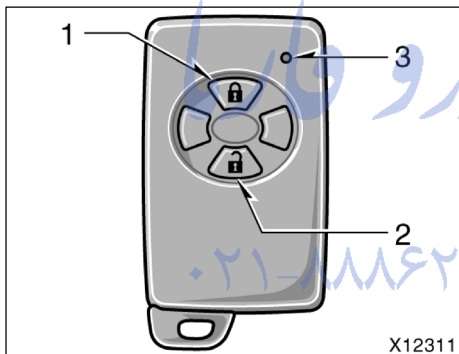
Montenegrin

Ovim, Toyota Motor Corporation, izjavljuje da ovaj TMIMB-1 je usklađen sa bitnim zahtjevima i drugim relevantnim odredbama Direktive 1999/5/EC.

Wireless remote control—



Wireless remote control key (vehicles without smart entry and start system)



Electronic key (vehicles with smart entry and start system)

1. Lock switch
2. Unlock switch
3. Indicator light

The wireless remote control function is designed to lock or unlock all the side doors and back door from a distance within approximately 1 m (3 ft.) of the vehicle.

When you operate any switch, push it slowly and securely.

Vehicles with smart entry and start system—When the switch is operated, the indicator light flashes once. If not, the battery may be discharged. Replace the battery at the earliest opportunity.

The wireless remote control key or electronic key is an electronic component. Observe the following instructions in order not to cause damage the key.

- Do not leave the key in places where the temperature becomes high such as on the dashboard.
- Do not disassemble it.
- Avoid knocking it hard against other objects or dropping it.
- Avoid putting it in water.

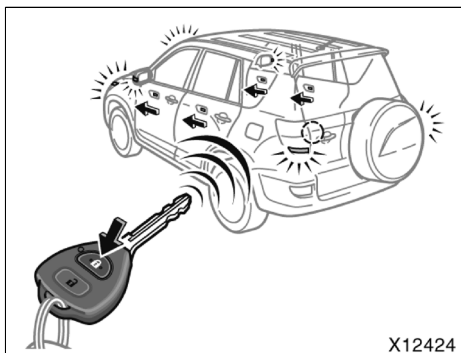
You can use up to 3 keys (vehicles without smart entry and start system) or 5 keys (vehicles with smart entry and start system) for the same vehicle. Contact any authorized Toyota dealer or repairer, or another duly qualified and equipped professional, for detailed information.

If the key does not actuate the side doors and back door, or operate from a normal distance, or the indicator on the key is dimmed or does not come on (vehicles with smart entry and start system only):

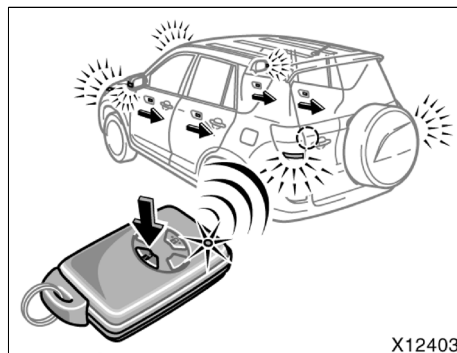
- Check for closeness to a radio transmitter such as a radio station or an airport which can interfere with normal operation of the key.
- The battery may have been consumed. Check the battery in the key. To replace the battery, see “—Replacing battery” on page 37 or 40 in this Section.

If you lose your key, contact any authorized Toyota dealer or repairer, or another duly qualified and equipped professional, as soon as possible to avoid the possibility of theft, or an accident. (See “If you lose your keys” on page 482 in Section 4.)

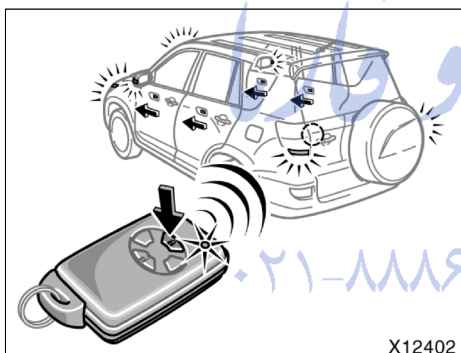
—Locking and unlocking doors



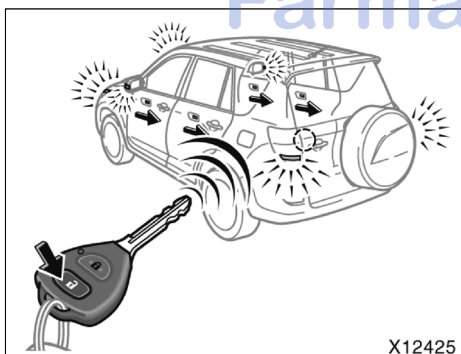
Locking operation (vehicles without smart entry and start system)



Unlocking operation (vehicles with smart entry and start system)



Locking operation (vehicles with smart entry and start system)



Unlocking operation (vehicles without smart entry and start system)

Vehicles without smart entry and start system—The wireless remote control will not operate when the engine switch is set at the “ACC” or “ON” position.

Vehicles with smart entry and start system—The wireless remote control will not operate when the “ENGINE START STOP” switch is turned to ACCESSORY or IGNITION ON mode.

To lock and unlock all the doors, push the switches of the key slowly and securely.

To lock: Push the lock switch. All the doors are locked simultaneously. At this time, the turn signal lights flash once.

The turn signal lights can be not to flash. For details, contact any authorized Toyota dealer or repairer, or another duly qualified and equipped professional.

Check to see that all the doors are securely locked.

Vehicles without smart entry and start system—If the key is in the engine switch, locking cannot be performed by the lock switch.

Vehicles with smart entry and start system—If any of the doors is not securely closed, locking cannot be performed by the lock switch and a beep will sound continuously for 10 seconds. If the key left in the vehicle, locking cannot be performed by the lock switch and a beep will sound continuously for 2 seconds.

To stop the beep, take out the key from the vehicle or push the unlock switch.

The beep can be disabled. For details, contact any authorized Toyota dealer or repairer, or another duly qualified and equipped professional.

To unlock: Push the unlock switch. All the doors are unlocked simultaneously. At this time, the turn signal lights flash twice.

When you unlock all the doors using the wireless remote control, the illuminated entry function will be activated. (For further information, see “Illuminated entry system” on page 186 in Section 1-5.)

You have 30 seconds to open a door after using the wireless remote unlock feature. If a door is not opened by then, all the side doors and back door will be automatically locked again.

If the lock or unlock switch is kept pressed in, the locking or unlocking operation is not repeated. Release the button and then push again.

—Replacing battery (without smart entry and start system)

The transmitter can easily be damaged when replacing the battery. We recommend having the battery replaced by any authorized Toyota dealer or repairer or another duly qualified and equipped professional. If you have to do it yourself, use a CR2016 lithium battery or equivalent and a flathead screwdriver.

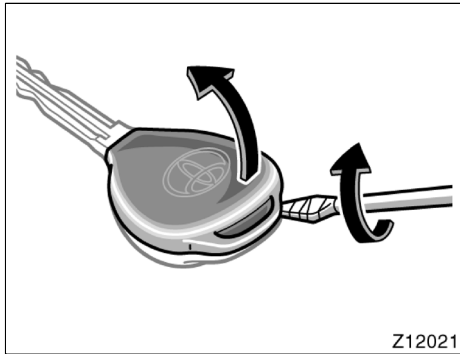
CAUTION

Special care should be taken to prevent small children from swallowing the removed battery or components. Failure to do so could result in death or serious injury.

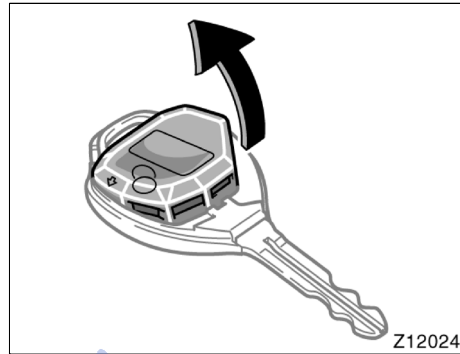
NOTICE

- ◆ **When replacing the battery, be careful not to lose the components.**
- ◆ **Replace only with the same or equivalent type recommended by the manufacturer.**
- ◆ **Dispose of used batteries according to the local laws.**

Replace the battery by following these procedures:



1. Open the cover using a flathead screwdriver wrapped with plastic tape.

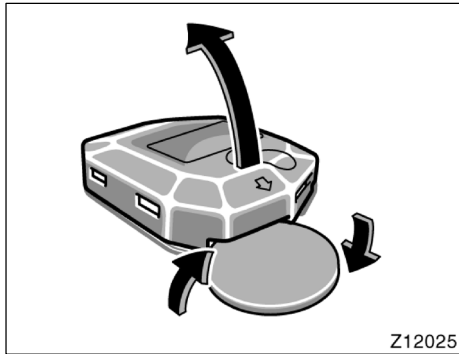


2. Remove the module from the key frame.

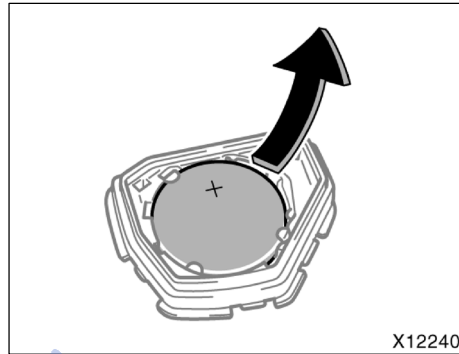
امداد خودرو فارما

تلفن شبانه روزی: ۰۲۱-۸۸۸۶۲۰۸۵

FarmaSOS.com



3. Open and remove the battery case cover using a coin.



4. Take out the discharged battery and put in a new battery with the positive (+) side up.

5. Install the battery case cover and then install the module into the key frame. Close the cover.

تلفن شبانه روزی: ۰۲۱-۸۸۸۶۲۰۸۵

FarmaSOS.com

NOTICE

- ◆ **Do not bend the terminals.**
- ◆ **Make sure the positive side and negative side of the battery are faced correctly.**
- ◆ **Do not replace the battery with wet hands. Water may cause unexpected rust.**
- ◆ **Do not touch or move any components inside the transmitter, or it may interfere with proper operation.**
- ◆ **Be careful not to bend the electrode when inserting the battery and that dust or oils do not adhere to the case.**
- ◆ **Close the cover securely.**

After replacing the battery, check that the key operates properly. If the key still does not operate properly, contact any authorized Toyota dealer or repairer, or another duly qualified and equipped professional.

Hereby, DENSO CORPORATION declares that this 13BBZ/12BBY is in compliance with the essential requirements and other relevant provisions of Directive 1999/5/EC.

Ovim, DENSO CORPORATION, izjavljuje da ovaj 13BBZ/12BBY je usklađen sa bitnim zahtjevima i drugim relevantnim odredbama Direktive 1999/5/EC.

—Replacing battery (with smart entry and start system)

The electronic key can easily be damaged when replacing the battery. We recommend having the battery replaced by any authorized Toyota dealer or repairer, or another duly qualified and equipped professional. If you have to do it yourself, use a CR1632 lithium battery or equivalent and a flathead screwdriver.

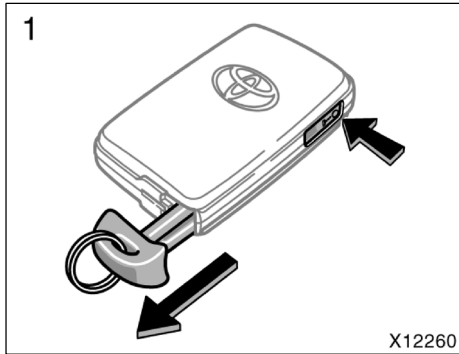
 **CAUTION**

Special care should be taken to prevent small children from swallowing the removed battery or components. Failure to do so could result in death or serious injury.

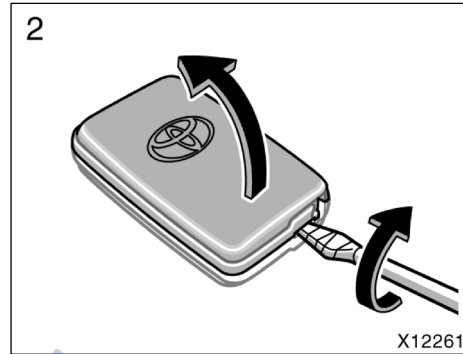
NOTICE

- ◆ **Be careful not to touch the circuit, as this may generate static electricity that can damage the electronic key.**
- ◆ **When replacing the battery, be careful not to lose the components.**
- ◆ **Replace only with the same or equivalent type recommended by the manufacturer.**
- ◆ **Dispose of used batteries according to the local laws.**

Replace the battery by following these procedures:



1. Push the release button and take out the mechanical key.

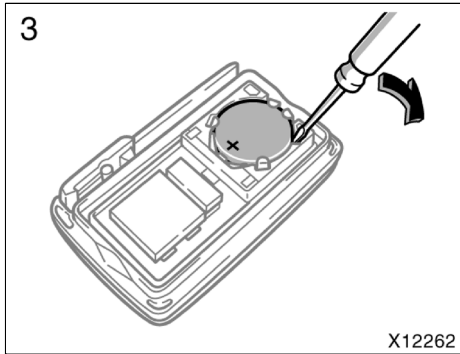


2. Using a flathead screwdriver or equivalent, open the electronic key case.

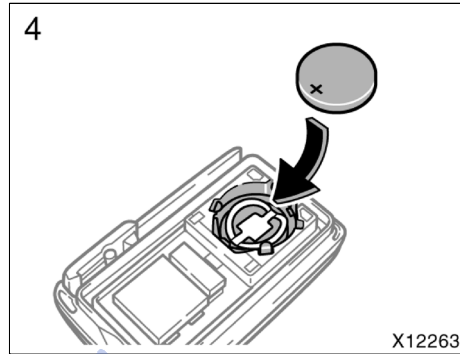
امداد خودرو فارما

تلفن شبانه روزی: ۰۲۱-۸۸۸۶۲۰۸۵

FarmaSOS.com



3. Remove the discharged battery by flat-head screwdriver or equivalent. Insert the guide groove and lift as shown in the above illustration.



4. Put in a new battery with the positive (+) side up. Install the cover and insert the mechanical key into the electronic key.

Close the electronic key case securely and insert the mechanical key.

NOTICE

Do not modify the battery case. It may cause a transmitter malfunction.

NOTICE

- ◆ **Make sure the positive side and negative side of the battery are faced correctly.**
- ◆ **Do not replace the battery with wet hands. Water may cause unexpected rust.**
- ◆ **Do not touch or move any components inside the electronic key, or it may interfere with proper operation.**
- ◆ **Be careful not to bend the electrode when inserting the battery and that dust or oils do not adhere to the case.**
- ◆ **Close the electronic key case securely.**

After replacing the battery, check that the electronic key operates properly. If the electronic key still does not operate properly, contact any authorized Toyota dealer or repairer, or another duly qualified and equipped professional.

TOKAI RIKA

R&TTE Declaration of Conformity

We,

Manufacturer's Name: Tokai Rika Co., Ltd.
 Manufacturer's Address: 260, Toyota 3-chome, Oguchi-cho, Niwa-gun, Aichi-ken,
 480-0195, Japan


hereby declare under our sole responsibility that the product:

Product Name: Electronic Key
 Product Model: B51EA

to which this declaration relates is in conformity with the essential requirements and other relevant requirements of the R&TTE Directive (1999/5/EC). The product is compliant with the following standards and/or other normative documents:

Safety: EN60950-1
 EMC: EN301 489-1 & -3
 Spectrum: EN300 220-3


Supplementary information:

* CE mark	
* Member states intended for use	EU and EFTA
* Member states with restrictive use	None

Date:

22 February 2005

Signature:



Position of the signatory:

Tadashi Wakiya
 General Manager,
 Electronics Engineering Div.

Hereby, Tokai Rika Co., Ltd., declares that this Electronic Key, model B51EA, is in compliance with the essential requirements and other relevant provisions of Directive 1999/5/EC.

 CAUTION

**RISK OF EXPLOSION IF BATTERY IS REPLACED BY AN INCORRECT TYPE.
DISPOSE OF USED BATTERIES ACCORDING TO THE INSTRUCTIONS.**

امداد خودرو فارما

تلفن شبانه روزی: ۰۲۱-۸۸۸۶۲۰۸۵

FarmaSOS.com

TOKAI RIKA

R&TTE Declaration of Conformity

We,

Manufacturer's Name: Tokai Rika Co., Ltd.

Manufacturer's Address: 260, Toyota 3-chome, Oguchi-cho, Niwa-gun, Aichi-ken,
480-0195, Japan

hereby declare under our sole responsibility that the product:

Product Name: Electronic Key

Product Model: B90EA


to which this declaration relates is in conformity with the essential requirements and other relevant requirements of the R&TTE Directive (1999/5/EC). The product is compliant with the following standards and/or other normative documents:

Safety: EN60950-1

EMC: EN301 489-1 & -3

Spectrum: EN300 220-2, EN300 330-2

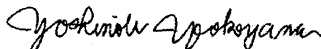
Supplementary information:

* CE mark	
* Member states intended for use	EU and EFTA
* Member states with restrictive use	None

Date:

10 February 2009

Signature:



Yoshinobu Yokoyama

Position of the signatory:

General Manager,
Security Electronic Engineering Div.

Hereby, Tokai Rika Co., Ltd., declares that this B90EA is in compliance with the essential requirements and other relevant provisions of Directive 1999/5/EC.

Ovim, Tokai Rika Co., Ltd., izjavljuje da ovaj B90EA je usklađen sa bitnim zahtjevima i drugim relevantnim odredbama Direktive 1999/5/EC.

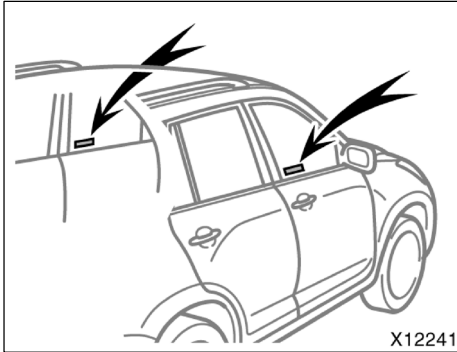
 CAUTION

**RISK OF EXPLOSION IF BATTERY IS REPLACED BY AN INCORRECT TYPE.
DISPOSE OF USED BATTERIES ACCORDING TO THE INSTRUCTIONS.**

امداد خودرو فارما

تلفن شبانه روزی: ۰۲۱-۸۸۸۶۲۰۸۵

FarmaSOS.com

—Double locking system

The double locking system is a theft prevention system. On vehicles with the double locking system, there are labels on the front side windows to indicate the vehicle is equipped with this system. The system is set when you lock all the doors using wireless remote control. Once set, the double locking system prevents the doors from being unlocked either from inside or outside of the vehicle.

⚠ CAUTION

Never activate the double locking system when there are people in the vehicle, because all the side doors and back door cannot be opened from inside the vehicle. If locking the doors by accident, push the unlock switch of the key.

SETTING THE SYSTEM

1. Vehicles without smart entry and start system—Turn the engine switch to the “LOCK” position and remove the key. Vehicles with smart entry and start system—Turn off the engine.
2. Have all passengers get out of the vehicle.
3. Open and close the driver's door. Make sure that all the side doors and back door are closed securely.
4. Push the lock switch of the key TWICE within 5 seconds.

The system will not be set unless you use the lock switch of the key.

The turn signal lights flash once every time you push the lock switch.

CANCELLING THE SYSTEM

Push the unlock switch of the key.

The turn signal lights flash twice to show the system is cancelled.

Double locking can be cancelled by a key if the key battery is dead.

TESTING THE SYSTEM

1. Open all the windows.
2. Set the system as described above.
3. Try to unlock all the doors from the inside.

The locking knob should return to the lock position.

4. Push the unlock switch of the key and check if the system is cancelled.

If the system does not work properly, have it checked by any authorized Toyota dealer or repairer, or another duly qualified and equipped professional.

Smart entry and start system

The smart entry and start system consists mainly of the following functions.

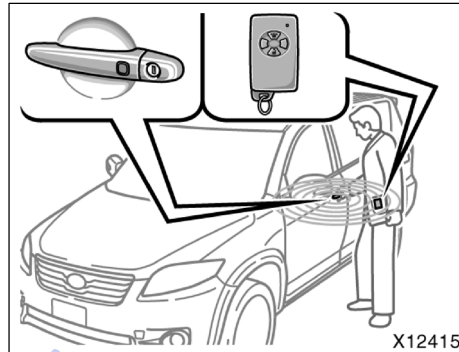
- Engine immobilizer function (For details, see “Engine immobilizer system” on page 27 in this Section.)
- Wireless remote control function (For details, see “Wireless remote control” on page 35 in this Section.)
- Push button start function (For details, see “How to start the engine” on page 410 in Section 3.)
- Entry function and start function (See “ENTRY FUNCTION AND START FUNCTION” described below.)
- Steering lock function (See “STEERING LOCK FUNCTION” described below.)

 **CAUTION**

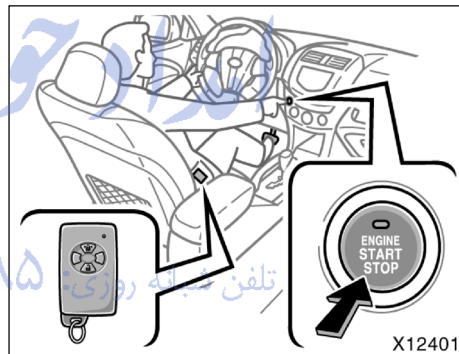
- People with implanted pacemakers or cardiac defibrillators should maintain a reasonable distance between themselves and the smart entry and start system antennas. For the antenna locations, see “ANTENNA LOCATIONS” on page 50 in this Section. The radio waves may affect the operation of such devices. If necessary, the entry function can be disabled. Ask any authorized Toyota dealer or repairer, or another duly qualified and equipped professional for details, such as the frequency of radio waves and timing of emitting the radio waves. Then, consult your doctor to see if you should disable the entry function.

- User of any electrical medical device other than implanted pacemakers and implanted cardiac defibrillators should consult the manufacturer of the device for information about its operation under the influence of radio waves. Radio waves could have unexpected effects on the operation of such medical devices.

For details for disabling the entry function, see “DISABLING THE SMART ENTRY AND START SYSTEM” on page 53 in this Section.



Entry function



Start function

ENTRY FUNCTION AND START FUNCTION

By carrying the key, you can lock and unlock the doors and start the engine.

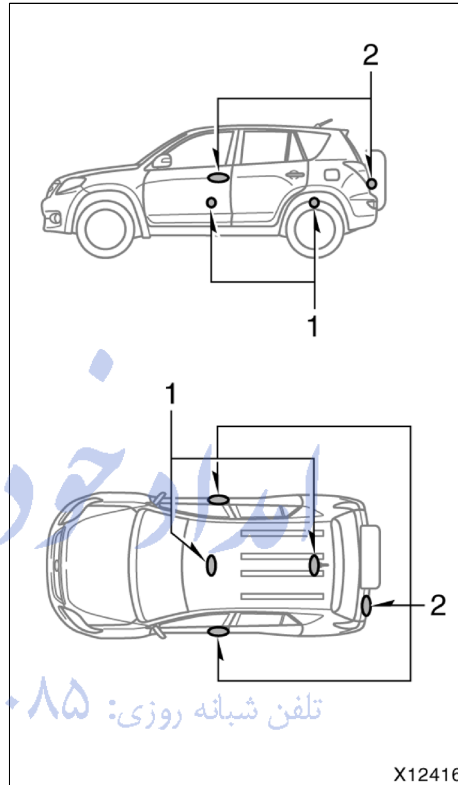
Entry function—You can lock and unlock all the doors without inserting the key in the keyhole. For further information, see “Doors” on page 60 in this Section.

Start function—You can shift the power supply mode and start the engine when the electronic key is in the vehicle. For further information, see “Engine (ignition) switch” on page 233 in Section 1-7 and “How to start the engine” on page 410 in Section 3.

STEERING LOCK FUNCTION

When the each door is opened after turning off the engine, the steering wheel will lock.

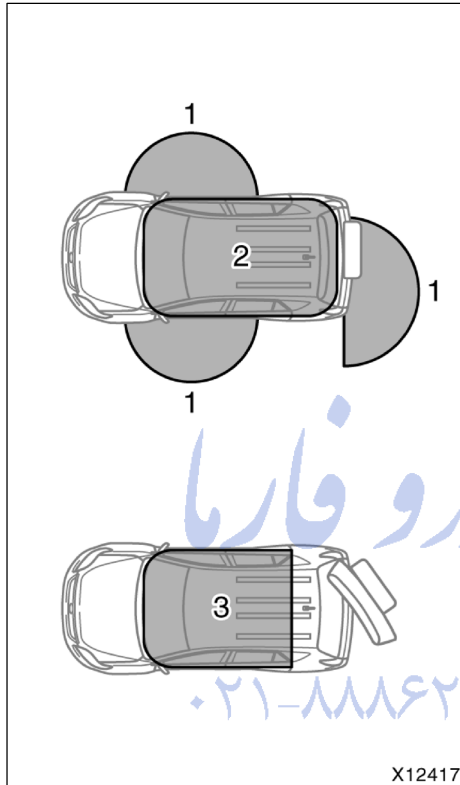
The steering lock is automatically unlocked when the "ENGINE START STOP" switch is pressed. If the indicator light on the "ENGINE START STOP" switch flashes green, this indicates that the steering wheel remains locked. If the amber indicator light flashes, this indicates that the steering lock is malfunctioning. For details, see "How to start the engine" on page 410 and "Driving and parking using smart entry and start system" on page 415 in Section 3.



X12416

ANTENNA LOCATIONS

1. Antenna inside cabin and luggage room
2. Antenna outside cabin and luggage room



ACTUATION AREA

The entry function and start function are available to use when a registered key is in the actuation area.

- 1. Entry function actuation area**—About 1 m (3 ft.) from each front outside door handle and back door handle.

If the key is close to a door handle, a window, the center of the rear bumper, on the ground or above the roof, the entry function may not operate properly.

- 2. Start function actuation area**—Inside of the cabin.

The start function may not be activated if the key is on the instrument panel, in the glove box or on the floor, etc.

- 3. Start function actuation area (UK only)**—Inside of the cabin.

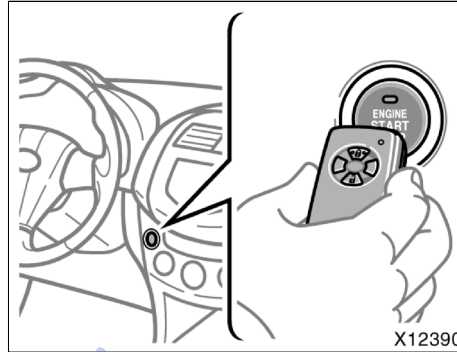
When the back door is opened, the start function can only be used in actuation area 3. When the back door is closed, the start function can be used in actuation area 2.

CONDITIONS AFFECTING OPERATION

The smart entry and start system, wireless remote control and engine immobilizer system may not operate normally in the following situations. If this happens, use a mechanical key to lock or unlock the doors. (For details, see “Side doors” on page 60.) If you are unable to use push button start function, see “STARTING THE ENGINE WHEN THE ELECTRONIC KEY DOES NOT OPERATE PROPERLY” on page 52.

- Near a TV tower, electric power plant, gas station, radio station, large display, airport or other facility that generates strong radio waves or electrical noise
- When a portable radio, cellular phone, cordless phone or other wireless communication devices are in the vicinity
- When multiple electric keys are in the vicinity
- When the electronic key has come into contact with, or is covered by a metallic object
- When other wireless key (that emits radio waves) is being used nearby
- When carrying the electronic key together with the following devices that emit radio waves
 - Another vehicle’s electronic key
 - A wireless key that emits radio waves
 - Personal computer
- If window tint with a metallic content or metallic objects are attached to the rear window

- When the electronic key battery is depleted (To replace the battery, see page 40 in this Section.)
- Do not leave the electronic key on top of the instrument panel or near the door pockets when exiting the vehicle. Depending on the radio wave reception conditions, it may be detected by the antenna outside the cabin and the door will become lockable from the outside, possibly trapping the electronic key inside the vehicle.



STARTING THE ENGINE WHEN THE ELECTRONIC KEY DOES NOT OPERATE PROPERLY

The engine can be started or the "ENGINE START STOP" switch mode can be changed by following procedure.

1. While the brake pedal is depressed, touch the Toyota logo side of the electronic key to the "ENGINE START STOP" switch.
2. To start the engine: Within 5 seconds after the buzzer sounds and the "ENGINE START STOP" switch indicator turns green, press the switch while depressing the brake pedal.

To change the "ENGINE START STOP" switch mode: Within 5 seconds after the buzzer sounds and the "ENGINE START STOP" switch indicator turns green, release the brake pedal and press the switch. The mode will be changed in the order of ACCESSORY mode, IGNITION ON mode and OFF.

If 5 seconds or more have elapsed after the "ENGINE START STOP" switch indicator turns green, the indicator will go off. The engine cannot be started in this state. Repeat the procedure from the beginning.

To stop the engine, push the "ENGINE START STOP" switch normally.

BATTERY POWER SAVING

Both the vehicle and key transmitters are always sending signals to each other. To prevent the batteries from being discharged, the smart entry and start system is automatically deactivated in the following conditions:

- If the electronic key is left outside of the vehicle and within the effective range of the entry function actuation area for more than 10 minutes.
- If the door lock or unlock operation is not performed more than 2 weeks.

To reactivate the smart entry and start system, perform any of the following:

- (a) Press the lock button on the outside front door handle and back door handle while carrying the electronic key.
- (b) Perform a wireless remote control operation.
- (c) Insert and turn the mechanical key in the keyhole of the driver's door.

The key and the vehicle are communicating even while the vehicle is not being driven. Do not leave the key near the vehicle (within 2 m [7 ft.]).

The vehicle battery may drain if the vehicle is not used for a long period of time. To prevent battery drain, disconnect the battery negative (-) terminal or disable the smart entry and start system. (For details about disable the smart entry and start system, see "DISABLING THE SMART ENTRY AND START SYSTEM" on page 53 in this Section.)

If the electronic key receives strong electromagnetic waves over a period of time, the battery can be drastically run down. You should always keep the at least 1 m (3 ft.) away from the electronic key following electrical appliances.

- TV
- Personal computer
- Cellular phone
- Cordless phone recharger unit
- Electric light stand
- Fluorescent desk light

If the vehicle battery is disconnected, the smart entry and start system may not operate correctly after you reconnect. In this case, you should lock and unlock the doors by wireless remote control.

DISABLING THE SMART ENTRY AND START SYSTEM

The following functions can be disabled:

- A function that allows you to lock/unlock the doors and back door by simply carrying a key
- A function that causes the vehicle to beep if keys are forgotten inside the vehicle and a door is closed
- Warning lights and buzzers

For details, contact any authorized Toyota dealer or repairer, or another duly qualified and equipped professional.

If the smart entry and start system does not operate properly because of a system malfunction, consult any authorized Toyota dealer or repairer, or another duly qualified and equipped professional. Make sure to bring all of the keys. They may be necessary to repair the system.

TOKAI RIKA

R&TTE Declaration of Conformity

We,

Manufacturer's Name: Tokai Rika Co., Ltd.
 Manufacturer's Address: 260, Toyota 3-chome, Oguchi-cho, Niwa-gun, Aichi-ken,
 480-0195, Japan


hereby declare under our sole responsibility that the product:

Product Name: Tuner
 Product Model: B51UA

to which this declaration relates is in conformity with the essential requirements and other relevant requirements of the R&TTE Directive (1999/5/EC). The product is compliant with the following standards and/or other normative documents:

Safety: EN60950-1
 EMC: EN301 489-1 & -3
 Spectrum: EN300 220-3

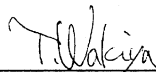
Supplementary information:

* CE mark	
* Member states intended for use	EU and EFTA
* Member states with restrictive use	None

Date:

22 February 2005

Signature:



Position of the signatory:

Tadashi Wakiya
 General Manager,
 Electronics Engineering Div.

Hereby, Tokai Rika Co., Ltd., declares that this B51UA is in compliance with the essential requirements and other relevant provisions of Directive 1999/5/EC.

Ovim, Tokai Rika Co., Ltd., izjavljuje da ovaj B51UA je usklađen sa bitnim zahtjevima i drugim relevantnim odredbama Direktive 1999/5/EC.

امداد خودرو فارما

تلفن شبانه روزی: ۰۲۱-۸۸۸۶۲۰۸۵

FarmaSOS.com

TOYOTA

TOYOTA MOTOR CORPORATION

1, TOYOTA-CHO, TOYOTA, AICHI, 471-8571 (Head Office)
or 471-8572 (Research & Development Group) JAPAN
TEL : +81-565-28-2121

R&TTE Declaration of Conformity

We,

Manufacturer's Name: TOYOTA MOTOR CORPORATION
Manufacturer's Address: 1, Toyota-cho, Toyota, Aichi, 471-8572 Japan

hereby declare under our sole responsibility that the product:

Product Name: LF Oscillator
Product Model: TMLF-2

to which this declaration relates is in conformity with the essential requirements and other relevant requirements of the R&TTE Directive (1999/5/EC). The product is compliant with the following standards and/or other normative documents:

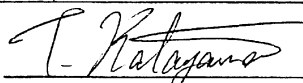
- Health & safety requirements: EN60950-1:2001
- EMC requirements: EN301 489-1 V1.4.1 & EN301 489-3 V1.4.1
- Effective use of radio spectrum: EN300 330-2 V1.1.1

Supplementary information:

* CE mark	CE
* Member states intended for use	EU and EFTA

Date: September 17, 2004

Signature:



Tomoaki Katayama

English

Hereby, Toyota Motor Corporation, declares that this TMLF-2 is in compliance with the essential requirements and other relevant provisions of Directive 1999/5/EC.

Finnish

Toyota Motor Corporation vakuuttaa täten että TMLF-2 tyyppinen laite on direktiivin 1999/5/EY oleellisten vaatimusten ja sitä koskevien direktiivin muiden ehtojen mukainen.

Dutch

Hierbij verklaart Toyota Motor Corporation dat het toestel TMLF-2 in overeenstemming is met de essentiële eisen en de andere relevante bepalingen van richtlijn 1999/5/EG.

French

Par la présente Toyota Motor Corporation déclare que l'appareil TMLF-2 est conforme aux exigences essentielles et aux autres dispositions pertinentes de la directive 1999/5/CE.

Swedish

Härmed intygar Toyota Motor Corporation att denna TMLF-2 står i överensstämmelse med de väsentliga egenskapskrav och övriga relevanta bestämmelser som framgår av direktiv 1999/5/EG.

Danish

Undertegnede Toyota Motor Corporation erklærer herved, at følgende udstyr TMLF-2 overholder de væsentlige krav og øvrige relevante krav i direktiv 1999/5/EF.

German

Hiermit erkläre Toyota Motor Corporation, dass sich das Gerät TMLF-2 in Übereinstimmung mit den grundlegenden Anforderungen und den übrigen einschlägigen Bestimmungen der Richtlinie 1999/5/EG befindet.

Greek

ΜΕ ΤΗΝ ΠΑΡΟΥΣΑ Toyota Motor Corporation ΔΗΛΩΝΕΙ ΟΤΙ ΤΜΛF-2 ΣΥΜΜΟΡΦΩΝΕΤΑΙ ΠΡΟΣ ΤΙΣ ΟΥΣΙΩΔΕΙΣ ΑΠΑΙΤΗΣΕΙΣ ΚΑΙ ΤΙΣ ΛΟΙΠΕΣ ΣΧΕΤΙΚΕΣ ΔΙΑΤΑΞΕΙΣ ΤΗΣ ΟΔΗΓΙΑΣ 1999/5/ΕΚ.

Italian

Con la presente Toyota Motor Corporation dichiara che questo TMLF-2 è conforme ai requisiti essenziali ed alle altre disposizioni pertinenti stabilite dalla direttiva 1999/5/CE.

Spanish

Por medio de la presente Toyota Motor Corporation declara que el TMLF-2 cumple con los requisitos esenciales y cualesquiera otras disposiciones aplicables o exigibles de la Directiva 1999/5/CE.

Portuguese

Toyota Motor Corporation declara que este TMLF-2 está conforme com os requisitos essenciais e outras disposições da Directiva 1999/5/CE.

Maltese

Hawnhekk, Toyota Motor Corporation, jiddikjara li dan TMLF-2 jikkonforma mal-htigijiet essenzjali u ma provvedimenti oħrajn rilevanti li hemm fid-Dirrettiva 1999/5/EC.

Estonian

Käesolevaga kinnitab Toyota Motor Corporation seadme TMLF-2 vastavust direktiivi 1999/5/EÜ põhinõuetele ja nimetatud direktiivist tulenevatele teistele asjakohastele sätetele.

Hungarian

Alulírott, Toyota Motor Corporation nyilatkozom, hogy a TMLF-2 megfelel a vonatkozó alapvető követelményeknek és az 1999/5/EC irányelv egyéb előírásainak.

Slovak

Toyota Motor Corporation týmto vyhlasuje, že TMLF-2 spĺňa základné požiadavky a všetky príslušné ustanovenia Smernice 1999/5/ES.

Czech

Toyota Motor Corporation tímto prohlašuje, že tento TMLF-2 je ve shodě se základními požadavky a dalšími příslušnými ustanoveními směrnice 1999/5/ES.

Slovenian

Toyota Motor Corporation izjavlja, da je ta TMLF-2 v skladu z bistvenimi zahtevami in ostalimi relevantnimi določili direktive 1999/5/ES.

Lithuanian

Šiuo Toyota Motor Corporation deklaruoja, kad šis TMLF-2 atitinka esminius reikalavimus ir kitas 1999/5/EB Direktyvos nuostatas.

Latvian

Ar šo Toyota Motor Corporation deklarē, ka TMLF-2 atbilst Direktīvas 1999/5/EK būtiskajām prasībām un citiem ar to saistītajiem noteikumiem.

Polish

Niniejszym Toyota Motor Corporation oświadcza, że TMLF-2 jest zgodny z zasadniczymi wymogami oraz pozostałymi stosownymi postanowieniami Dyrektywy 1999/5/EC.

Icelandic

Hér með lýsir Toyota Motor Corporation yfir því að TMLF-2 er í samræmi við grunnkröfur og aðrar kröfur, sem gerðar eru í tilskipun 1999/5/EC.

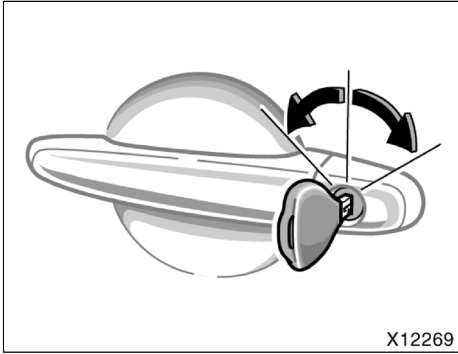
Norwegian

Toyota Motor Corporation erklærer herved at utstyret TMLF-2 er i samsvar med de grunnleggende krav og øvrige relevante krav i direktiv 1999/5/EF.

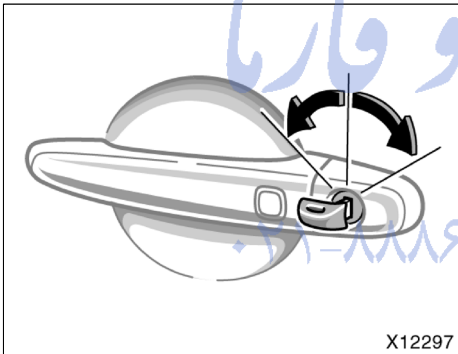
Montenegrin

Ovim, Toyota Motor Corporation, izjavljuje da ovaj TMLF-2 je usklađen sa bitnim zahtjevima i drugim relevantnim odredbama Direktive 1999/5/EC.

**Doors—
—Side doors**



Vehicles without smart entry and start system




Vehicles with smart entry and start system

Vehicles with smart entry and start system—All the side doors and back door are locked and unlocked simultaneously with the driver's door. When the driver's door is opened, all the doors cannot lock simultaneously with the key.

Vehicles with smart entry and start system—When all the doors are unlocked simultaneously using the key, the illuminated entry system will be activated. (For further information, see "Illuminated entry system" on page 186 in Section 1-5.)

Before leaving the vehicle, check to see that all the doors are securely locked.

 CAUTION
Before driving, be sure that the doors are closed.

LOCKING AND UNLOCKING WITH KEY

Insert the key into the keyhole and turn it.

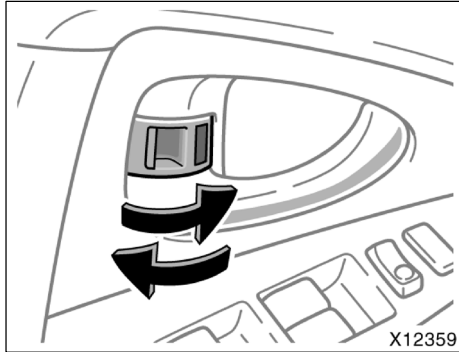
To lock: Turn the key forward.

To unlock: Turn the key backward.

Vehicles without smart entry and start system—Only driver's door can be locked and unlocked with the key.

FarmaSOS.com

تلفن شبانه روزی: ۰۸۵+۲۶۸۸۶۲-۰۲۱



LOCKING AND UNLOCKING WITH INSIDE LOCK KNOB

Move the lock knob.

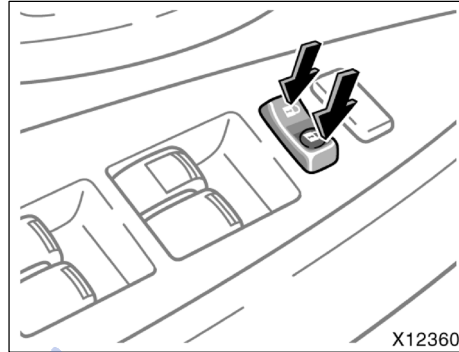
To lock: Push the knob forward.
To unlock: Pull the knob backward.

The driver's door can be opened from the inside even with the lock knob in the lock position.

Vehicles with the double locking system—When the double locking system is set, the doors cannot be unlocked with any of the inside lock knobs. (See “Double locking system” on page 47 in this Section.)

If you want to lock the side door from the outside, set the knob in the lock position before closing the side door. The outside door handle must be held up while the front door is being closed. Be careful not to lock your keys in the vehicle.

Doors cannot be locked when driver's door is opened and the key is in the engine switch (vehicles without smart entry and start system) or key is left in the vehicle (vehicles with smart entry and start system).



LOCKING AND UNLOCKING WITH POWER DOOR LOCK SWITCH

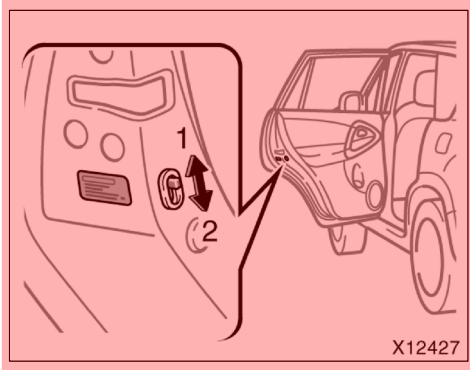
Push the switch.

To lock: Push the switch down on the right side.

To unlock: Push the switch down on the left side.

Operating the switch simultaneously locks or unlocks all the side doors and back door.

When the driver's door is locked from the outside, locked with the wireless remote control or locked with smart entry and start system, the power door lock switch will not work until the driver's door is unlocked with the key (vehicles with smart entry and start system only), inside lock knob, wireless remote control or smart entry and start system.



X12427

REAR DOOR CHILD-PROTECTORS

The door cannot be opened from inside the vehicle when the lock is set.

Position 1—Unlock

Position 2—Lock

These locks can be set to prevent children from opening the rear doors.

Push down on each rear door switch to lock both rear doors.

CAUTION

- Before driving, be sure that the doors are closed.
- When small children are on the rear seats of the vehicle, the child-protector system should be used to help prevent the doors from being opened unintentionally from the inside during driving.
- If the doors are left unlocked while driving, they can be easily opened from the outside in case of an accident.

—Back door precautions
CAUTION

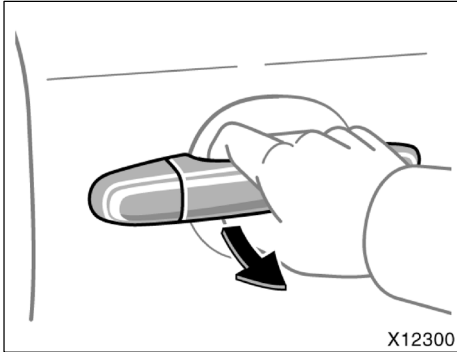
Keep the back door closed while driving. If the back door is left open, it may hit near-by objects while driving or luggage may be unexpectedly thrown out, causing an accident. In addition, exhaust gases may enter the vehicle, causing death or a serious health hazard. Make sure to close the back door before driving.

Before driving the vehicle, make sure that the back door is fully closed. If the back door is not fully closed, it may open unexpectedly while driving, causing an accident.

Never let anyone sit in the luggage compartment. In the event of sudden braking or a collision, they are susceptible to death or serious injury.

When children are in the vehicle, observe the following precautions. Failure to do so may result in death or serious injury:

- Do not leave children alone in the luggage compartment. If a child is accidentally locked in the luggage compartment, they could overheat.
- Do not allow a child to open or close the back door. Doing so may cause the back door to operate unexpectedly, or cause the child's hands, head, or neck to be caught by the closing back door.

—Operating back door**To open the back door, pull the handle.**

Vehicles with smart entry and start system—All the side doors and back door lock and unlock simultaneously with the driver's door.

Operating the power door lock switch or wireless remote control simultaneously locks or unlocks the back door. (See “—Locking and unlocking doors” on page 36 and “—Side doors” on page 60 in this Section.)

When closing the back door, make sure it is fully closed.

See “Luggage stowage precautions” on page 402 in Section 2 for precautions when loading luggage.


CAUTION

When operating the back door, observe the following precautions. Failure to do so may cause parts of the body to be caught, resulting in death or serious injury.

- When opening or closing the back door, thoroughly check to make sure the surrounding area is safe.
- If anyone is in the vicinity, make sure they are safe and let them know that the back door is about to open or close.
- Use caution when opening or closing the back door in windy weather as it may move abruptly in strong wind.



- The back door may close if it is not opened fully. It is more difficult to open or close the back door on an incline than on a level surface, so beware of the back door unexpectedly opening or closing by itself. Make sure that the back door is fully open and secure before using the luggage compartment.

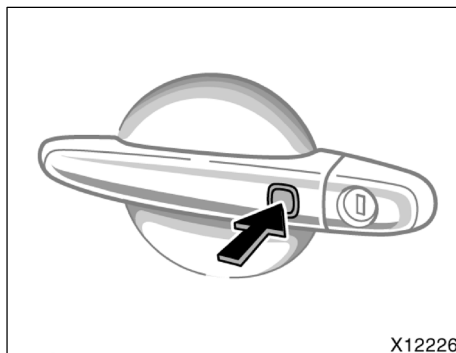
- When closing the back door, take extra care to prevent your fingers etc. from being caught.
- When closing the back door, make sure to press it lightly on its outer surface.
- Do not attach any accessories other than genuine Toyota parts to the back door. Such additional weight on the back door may interfere with the safety opening and closing operation of the back door.
- If the open back door hides the stop, tail or rear turn signal lights while you are parked, other road users must be warned of the presence of your vehicle by a warning triangle or other device.

٠٢١-٨٨٤٢٠٠٠٠

FarmaSOS.com

—Locking and unlocking with smart entry and start system

When you carry the registered key with smart entry and start system into the actuation area, you can lock and unlock all the doors without using the key. For further information of actuation area, see “Smart entry and start system” on page 48 in this Section.



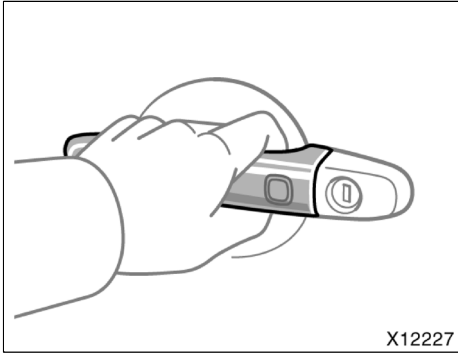
Locking operation

Push the lock button on the outside door handle slowly and firmly. All the doors lock simultaneously. At this time turn signal lights flash once.

In the following cases, you cannot be locked by pushing the lock button and a beep will sound as an indicator.

- When any of the doors is not securely closed. A beep will sound continuously for 10 seconds.
- When the engine is not turned off. A beep will sound continuously for 60 seconds.
- When the key is left in the vehicle. A beep will sound continuously for 2 seconds.
- When attempting to lock the doors with the key near a window or a door handle. A beep will sound continuously for 2 seconds.

The beep may not sound if the key is on the instrument panel, on the luggage room, in the glove box or on the floor, etc.



You have 30 seconds to open a door after operating the unlocking function. If a door is not opened by then, all the doors will be automatically locked again.

The doors may unlock if the key is within the entry function actuation area and a large amount of water splashes on the door handle (for example, in the rain or in a car wash).

When you unlock the doors, the illuminated entry function will be activated. (For further information, see "Illuminated entry system" on page 186 in Section 1-5.)

Unlocking operation

Grasp the outside door handle (sensors are located on the underside of the door handles). All the doors unlock when any of the front door handles are grasped. At this time the turn signal lights flash twice.

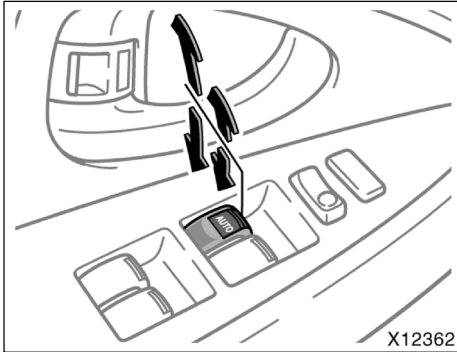
The doors may not unlock if the handle is grasped too quickly. Be sure to confirm that the doors are unlocked before pulling the door handle. If the doors do not open when the handle is pulled, return the handle to its original position.

Wearing gloves may slow response time. For three seconds after the doors have been locked, the doors cannot be re-unlocked via the smart entry and start system.

If the wireless remote control is used to lock the doors near the window or door handle, there is a possibility that the door may not be unlocked by the entry function of the smart entry and start system. Under these circumstances, use the wireless remote control to unlock the doors.

When you enter the entry function actuation area, the illuminated entry function will be activated. After the lights come on, all the side doors can be unlocked by grasping the outside door handle.

Power windows



The windows can be operated with the switch on each door. The passengers' windows can also be controlled by the switches on the driver's door.

Vehicles without smart entry and start system—The power windows work when the engine switch is set at the “ON” position.

Vehicles with smart entry and start system—The power windows work when the “ENGINE START STOP” switch is set at IGNITION ON mode.

Key off operation: If the either front door is closed, they work for 45 seconds even after the engine switch (vehicles without smart entry and start system) or the “ENGINE START STOP” switch (vehicles with smart entry and start system) is turned off. They stop working when the either front door is opened.

OPERATING THE DRIVER'S WINDOW

Use the switch on the driver's door.

Normal operation: The window moves as long as you hold the switch.

To open: Lightly push down the switch.

To close: Lightly pull up the switch.

Automatic operation: Push the switch completely down or pull it completely up, and then release it. The window will fully open or close. To stop the window part-way, lightly move the switch in the opposite direction and then release it.

Jam protection function: During automatic closing operation, the window stops and opens half way if something gets caught between the window and window frame.

If the window receives a strong impact, this function may work even if nothing is caught.

When the power window does not close normally

If the jam protection function is operating abnormally and a window cannot be closed, perform the following operations using the power window switch on the driver's door.

Vehicles without smart entry and start system—After stopping the vehicle, the window can be closed by holding the power window switch in the one-touch closing position while the engine switch is turned to the “ON” position.

Vehicles with smart entry and start system—After stopping the vehicle, the window can be closed by holding the power window switch in the one-touch closing position while the “ENGINE START STOP” switch is turned to IGNITION ON mode.

If the window still cannot be closed even by carrying out the operation explained above, initialize the function by performing the following procedure.

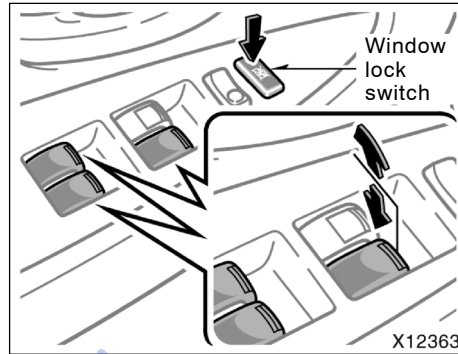
1. Hold the power window switch in the one-touch closing position. Continue holding the switch for a further 6 seconds after the window has closed.
2. Hold the power window switch in the one-touch opening position. Continue holding the switch for a further 2 seconds after the window has opened completely.
3. Hold the power window switch in the one-touch closing position once again. Continue holding the switch for a further 2 seconds after the window has closed.

If you release the switch while the window is moving, start again from the beginning.

If the window continues to close but then re-open slightly even after performing the above procedure correctly, have the vehicle inspected by any authorized Toyota dealer or repairer, or another duly qualified and equipped professional.

**CAUTION**

- Never try jamming any part of your body to activate the jam protection function intentionally, as it could result in death or serious injury.
- The jam protection function may not work if something gets caught just before the window is fully closed.

**OPERATING THE PASSENGERS' WINDOWS**

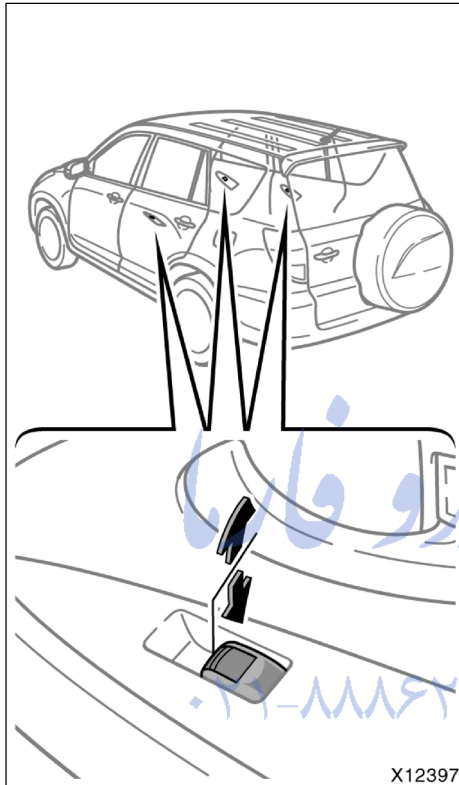
Use the switch on each passenger's door or the switches on the driver's door that control each passenger's window.

The window moves as long as you hold the switch.

To open: Push down the switch.

To close: Pull up the switch.

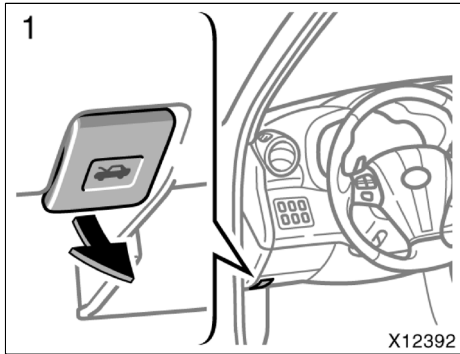
If you push in the window lock switch on the driver's door, the passengers' windows cannot be operated.

**⚠ CAUTION**

To avoid death or serious personal injury, you must do the following.

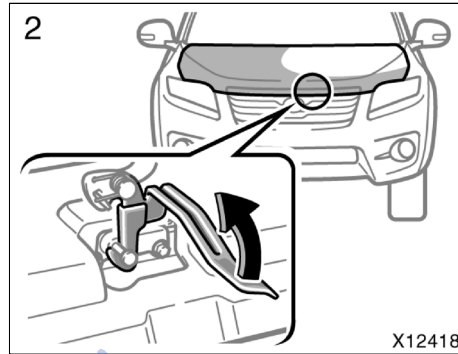
- Before you close the power windows, always make sure there is nobody around the power windows. You must also make sure the heads, hands and other parts of the bodies of all occupants are kept completely inside the vehicle. If someone's neck, head or hands get caught in a closing window, it could result in death or serious injury. When anyone closes the power windows, make sure he or she operates the windows safely.
- When small children are in the vehicle, never let them use the power window switches without supervision. Use the window lock switch to prevent them from making unexpected use of the switches.
- Be sure to remove the key when you leave your vehicle.
- Never leave anyone (particularly a small child) alone in your vehicle, especially with the key still inserted. Otherwise, he/she could use the power window switches and get trapped in a window. Unattended person (particularly a small child) can be involved in a serious accident.

Hood



To open the hood:

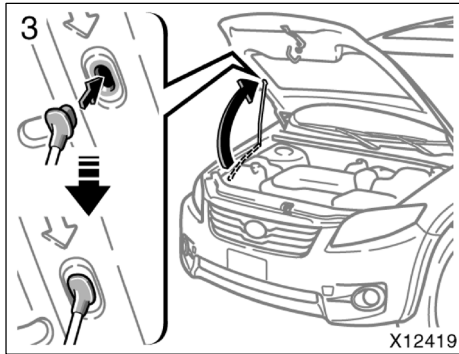
1. Pull the hood lock release lever. The hood will spring up slightly.



2. In front of the vehicle, pull up the auxiliary catch lever and lift the hood.

**CAUTION**

Before driving, be sure that the hood is closed and securely locked. Otherwise, the hood may open unexpectedly while driving and an accident may occur.



3. Hold the hood open by inserting the support rod into the slot.

To insert the support rod into the slot, move it straight up. If it is moved to the side or toward the inside of the vehicle, it may become detached.

Before closing the hood, check to see that you have not forgotten any tools, rags, etc. and return the support rod to its clip—this prevents rattles. Then lower the hood and make sure it locks into place. If necessary, press down gently on the front edge to lock it.

CAUTION

After inserting the support rod into the slot, make sure the rod supports the hood securely from falling down on to your head or body.

NOTICE

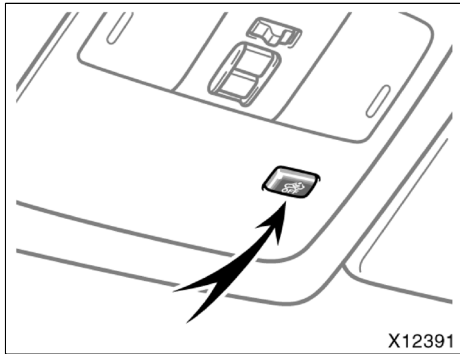
Be sure to return the support rod to its clip before closing the hood. Closing the hood with the support rod up could cause the hood to bend.

Theft deterrent system



The system sounds alarm and flashes lights when forcible entry is detected. The alarm is triggered if any of the side doors, back door or hood is forcibly unlocked or opened, or the battery terminal is disconnected and then reconnected, or the intrusion sensor detects an intruder moving inside the vehicle while it is locked.

This system is designed to deter and prevent vehicle theft but does not guarantee absolute security against all intrusions. The system is maintenance-free.



INTRUSION SENSOR CANCELLING SWITCH

To cancel the intrusion sensor, push the cancel switch.

The intrusion sensor can be cancelled to prevent false alarms from being triggered in case of the following conditions:

- Persons or pets are in the vehicle.
- Any window or moon roof is left opened.
- When parking in the noisy area, or in the roof parking.
- The vehicle body or glass is subjected to a strong impact from the outside. (such as in highly pressurized car wash)
- When transporting by car carrier.
- Ice or snow is removed from the vehicle, causing the vehicle to receive repeated impacts or vibrations.
- The wind or something similar causes an externally mounted reflectively coated windshield cover to move.
- Unstable items, such as dangling accessories or clothes hanging on the coat hooks, are in the vehicle.

Cancelling the intrusion sensor

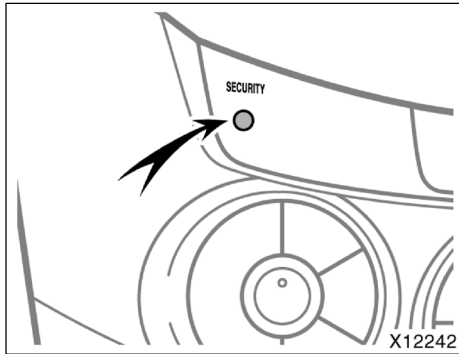
1. Push the switch on the overhead console.

The security indicator light will flash rapidly for 5 minutes.

2. Set the theft deterrent system while the indicator light is flashing.

The intrusion sensor is deactivated as long as the system remains armed.

امداد خودرو فارس
 تلفن شبانه روزی: ۰۸۵ ۲۱ ۸۸۸۶۲
 FarmaSOS.com



SETTING THE SYSTEM

1. Vehicles without smart entry and start system—The key is removed from the engine switch.

Vehicles with smart entry and start system—The “ENGINE START STOP” switch is turned off.

The engine immobilizer system is set and the indicator light will start flashing. (See “Engine immobilizer system” on page 27 in this Section for details.)

2. Have all passengers get out of the vehicle.
3. Close and lock all the side doors, back door and hood using wireless remote control or entry function of the smart entry and start system.

The indicator light will remain on when all the side doors, back door and hood are closed and locked.

The system will automatically be set after 30 seconds. When the system is set, the indicator light will start flashing again.

4. After making sure the indicator light starts flashing, you may leave the vehicle.

CAUTION

Never activate the double locking system when there are people in the vehicle, because all the doors cannot be opened from inside the vehicle. If locked by accident, push unlock switch of the key.

Cancelling the system

When you unlock any door using entry function, wireless remote control or a key, the system is cancelled.

The system will cancel within 30 seconds before the system is set automatically under any of the following conditions:

- Any of the side doors, back door or hood is opened.
- Any of the side doors or back door is unlocked.
- The battery terminal is reconnected.

Vehicles without smart entry and start system—

- The engine switch is turned to the “ON” position.

Vehicles with smart entry and start system—

- The “ENGINE START STOP” switch is in IGNITION ON mode.

WHEN THE SYSTEM IS SET

Activating the system

The system will sound the alarm under the following conditions:

- If any of the doors is unlocked or if the hood is forcibly opened without the key (vehicles with smart entry and start system only), wireless remote control or entry function of the smart entry and start system.
- If the battery terminal is disconnected and then reconnected.

- The intrusion sensor detects an intruder moving inside the vehicle.

The indicator light will come on when the system is activated.

If the alarm has been activated, all the side doors and back door will re-lock automatically.

After 28 seconds, the alarm will automatically stop and the indicator light will start flashing again.

Reactivating the alarm

Once set, the system automatically resets the alarm after the alarm stops.

The alarm will activate again under the same circumstances described in "Activating the system".

Stopping the alarm

Unlock any of the side doors or back door with the wireless remote control or entry function of the smart entry and start system.

If the battery becomes discharged due to the vehicle being unused for a long time, etc., when the battery is recharged or replaced, the system will give the alarm. If this happens, immediately unlock any of the side doors or the back door with the wireless remote control or entry function of the smart entry and start system and the alarm will stop.

When the alarm is operating, the doors are locked automatically to prevent intruders.

Do not leave the key inside the vehicle when the alarm is operating, and make sure the key is not inside the vehicle when recharging or replacing the battery.

NOTICE

Do not modify or remove the system. If modified or removed, the proper operation of the system cannot be guaranteed.

Hereby, FUJITSU TEN LIMITED, declares that this FTL313 is in compliance with the essential requirements and other relevant provisions of Directive 1999/5/EC.

FUJITSU TEN LIMITED
Engineering Management Department
Design Management Division
Products Management Group

FUJITSU TEN

2-28, Goshō-dori 1-chome, Hyogo-ku, Kobe, 652-8510, Japan
Tel.: +81.78-682-2031 Fax.: +81.78-671-7160


DECLARATION of CONFORMITY

We, FUJITSU TEN LIMITED of the above address, hereby declare, at our sole responsibility, that the following product conforms to the Essential Requirements of the Radio and Telecommunications Terminal Equipment Directive 1999/5/EC in accordance with the tests conducted to the appropriate requirements of the relevant standards, as listed herewith.

Product Name: Motion Sensor
Model Number: FTL313
Reference Standards:

Radio :
EN 300 440-1 V1.5.1(2009-03)
EN 300 440-2 V1.3.1(2009-03)
EMC :
EN 301 489-1 V1.8.1(2008-04)
EN 301 489-3 V1.4.1(2002-08)
Safety :
EN 60065 2002+A11:2008

Supplementary Information:

CE Mark	
Member states intend for use	EU and EFTA
Member states with restrictive use	The sensor installed to vehicles sold other than UK and Ireland is not allowed to operate in UK

Signature:


Takao KAMAI

Position:

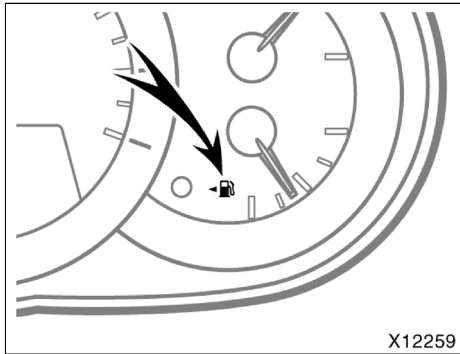
Department General Manager
Engineering Management Department
Design Management Division
Products Management Group

Date of issue: 20 April 2010

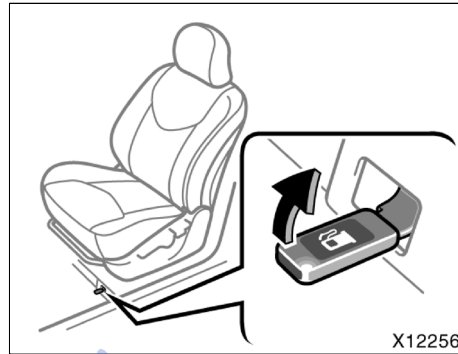
Place of issue: Kobe, Japan

The sensor installed to vehicles sold other than UK and Ireland is not allowed to operate in UK.

The latest "DECLARATION of CONFORMITY" (DoC) is available at the address stated in the DoC.

Fuel tank cap

This indicates that the fuel filler door is on the left side of your vehicle.

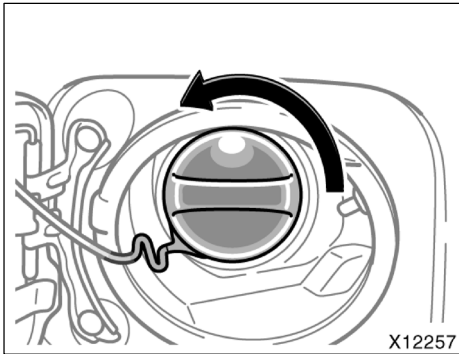


1. To open the fuel filler door, pull the lever up.

When refueling, turn off the engine.

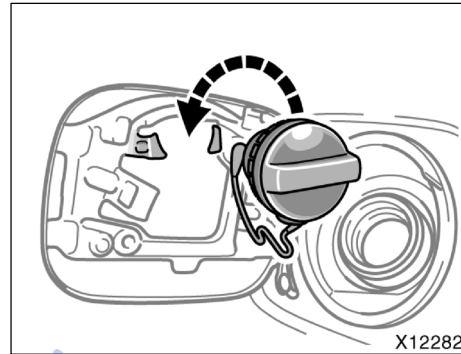
CAUTION

- Do not smoke, cause sparks or allow open flames when refueling. The fumes are flammable.
- When opening the cap, do not remove the cap quickly. In hot weather, fuel under pressure could cause injury by spraying out of the filler neck if the cap is suddenly removed.



2. To remove the fuel tank cap, turn the cap counterclockwise. Pause slightly before removing it.

It is not unusual to hear a slight swoosh when the cap is opened.




3. The removed cap can be hung on the cap hanger.

When installing the cap, turn it clockwise until one click is heard, in order to fully close it. The cap returns slightly when your hand is released from the cap after closure, however this does not cause any problems.

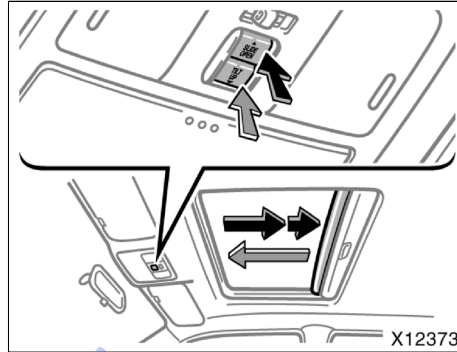
تلفن شبانه روزی: ۰۲۱-۸۸۸۶۲۰۸۵

FarmaSOS.com

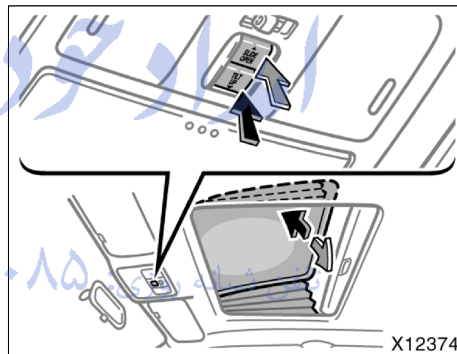
 CAUTION
<ul style="list-style-type: none">● Make sure the cap is tightened securely to prevent fuel spillage in the event of an accident.● Due to the regulation of fuel tank pressure that these caps provide, Toyota recommends to use a genuine Toyota fuel tank cap. Another fuel tank cap of matching quality can also be used.

NOTICE
<i>To prevent damage to the cap, apply force only in the turning direction to the cap. Do not pull or pry it.</i>

Electric moon roof



Sliding operation



Tilting operation

To operate the moon roof, use the switch on the overhead console.

Vehicles without smart entry and start system—The moon roof works when the engine switch is set at the “ON” position.

Vehicles with smart entry and start system—The moon roof works when the “ENGINE START STOP” switch is set at IGNITION ON mode.

The sunshade can be opened or closed by hand.

Automatic sliding operation—

To open: Push the switch on the “SLIDE OPEN” side.

The roof will open and stop partway 50 mm (2.0 in.) from the fully opened position. When you push the “SLIDE OPEN” side again, the moon roof will open fully. To stop the roof partway, push the switch on either the “SLIDE OPEN” or “TILT UP” side briefly.

As driving with the moon roof opened fully will cause wind throbs, we recommend you to drive with the moon roof partway 50 mm (2.0 in.) from the fully opened position.

The sunshade will be opened together with the roof.

To close: Push the switch on the “TILT UP” side.

The roof will fully close automatically. To stop the roof partway, push the switch on either the “SLIDE OPEN” or “TILT UP” side briefly.

Manual sliding operation—

To open the moon roof slightly, quickly push and release the switch on the “SLIDE OPEN” side.

To close the moon roof slightly, quickly push and release the switch on the “TILT UP” side.

Automatic tilting operation—

To tilt up: Push the switch on the “TILT UP” side.

To tilt down: Push the switch on the “SLIDE OPEN” side.

The roof will fully tilt up or down automatically. To stop the roof partway, push the switch on either the “SLIDE OPEN” or “TILT UP” side briefly.

Manual tilting operation—

To tilt up the moon roof slightly, quickly push and release the switch on the “TILT UP” side.

To tilt down the moon roof slightly, quickly push and release the switch on the “SLIDE OPEN” side.

Key off operation: If the either front door is closed, they work for 45 seconds even after the engine switch (vehicles without smart entry and start system) or the “ENGINE START STOP” switch (vehicles with smart entry and start system) is turned off. They stop working when the either front door is opened.

Jam protection function:

If something gets caught between the moon roof and frame during closing operation, the moon roof stops and opens half way.

If the moon roof receives a strong impact, this function may work even if nothing is caught.

When the moon roof does not close normally

Perform the following procedure:

- If the moon roof closes but then re-opens slightly
1. Stop the vehicle.
 2. Press and hold the switch on the "TILT UP" side.*1 The moon roof will close, reopen and pause for approximately 10 seconds.*2 Then it will close again, tilt up and pause for approximately 1 second. Finally, it will tilt down, open and close.
 3. Check to make sure that the moon roof is completely closed and then release the switch.
 - If the moon roof tilts down but then tilts back up
1. Stop the vehicle.
 2. Press and hold the switch on the "TILT UP" side*1 until the moon roof moves into the tilt up position and stops.
 3. Release the switch on the "TILT UP" side once and then press and hold the switch on the "TILT UP" side again.*1 The moon roof will pause for approximately 10 seconds in the tilt up position.*2 Then it will adjust slightly and pause for approximately 1 second. Finally, it will tilt down, open and close.
 4. Check to make sure that the moon roof is completely closed and then release the switch.

*1: If the switch is released at the incorrect time, the procedure will have to be performed again from the beginning.

*2: If the switch is released after the above mentioned 10 second pause, automatic operation will be disabled. In that case, press and hold the switch on the "TILT UP" side, and the moon roof will tilt up and pause for approximately 1 second. Then it will tilt down, open and close. Check to make sure that the moon roof is completely closed and then release the switch.

If the moon roof does not fully close even after performing the above procedure correctly, have the vehicle inspected by any authorized Toyota dealer or repairer, or another duly qualified and equipped professional.

امداد خودرو فارس

تلفن شبانه روزی: ۰۸۵ ۲۰۸۸۴۲۰۱۱۱

SOS.com

 CAUTION

To avoid death or serious injury, you must do the following:

- While the vehicle is moving, always keep the heads, hands, etc. away from the roof opening. Failure to do so could result in death or serious injury.
- Before you close the moon roof, always make sure there is nobody around the moon roof. You must also make sure nobody places his or her head, hands and other parts of the body in the roof opening. If someone's neck, head or hands get caught in the closing roof, it could result in death or serious injury. When anyone closes the moon roof, first make sure it is safe to do so.
- Be sure to carry the key when you leave your vehicle.
- Never leave anyone (particularly a small child) alone in your vehicle, especially with the key still inserted. Otherwise, he/she could use the moon roof switches and get trapped in the roof opening. Unattended person (particularly a small child) can be involved in a serious accident.
- Never sit on top of the vehicle around the roof opening.
- Never try jamming any part of your body to activate the jam protection function intentionally, as it could result in death or serious injury.
- The jam protection function may not work if something gets caught just before the moon roof is fully closed.

امداد خودرو فارما

تلفن شبانه روزی: ۰۲۱-۸۸۸۶۲۰۸۵

FarmaSOS.com

Section 1-3 OPERATION OF INSTRUMENTS AND CONTROLS

Occupant restraint systems

- Seats 84
- Front seats 84
- Rear seats 89
- Armrest 96
- Head restraints 96
- Seat heater 98
- Seat belts 99
- SRS driver airbag and front passenger airbag 109
- SRS driver airbag, driver knee airbag and front passenger airbag 117
- SRS side airbags and curtain shield airbags 125
- Passenger airbag manual on-off switch 134
- Child restraint 137

Seats

While the vehicle is being driven, all vehicle occupants should have the seatback upright, sit well back in the seat and properly wear the seat belts provided.

CAUTION

- Do not drive the vehicle unless the occupants are properly seated. Do not allow any occupants to sit on top of a folded-down seatback, or in the luggage compartment or cargo area. If the occupants are improperly seated or restrained by seat belts, death or serious injury could result in the event of emergency braking, sudden swerving or an accident.
- During driving, do not allow any passengers to stand up or move around between seats. Otherwise, death or serious injuries can occur in the event of emergency braking, sudden swerving or an accident.

Front seats— —Front seat precautions

Driver seat

CAUTION

The SRS driver airbag deploys with considerable force, and can cause death or serious injury especially if the driver is very close to the airbag.

Since the risk zone for driver airbag is the first 50–75 mm (2–3 in.) of inflation, placing yourself 250 mm (10 in.) from your driver airbag provides you with a clear margin of safety. This distance is measured from the center of the steering wheel to your breastbone. If you sit less than 250 mm (10 in.) away now, you can change your driving position in several ways:

- Move your seat to the rear as far as you can while still reaching the pedals comfortably.
- Slightly recline the back of the seat. Although vehicle designs vary, many drivers can achieve the 250 mm (10 in.) distance, even with the driver seat all the way forward, simply by reclining the back of the seat somewhat. If reclining the back of your seat makes it hard to see the road, raise yourself by using a firm, non-slippery cushion, or raise the seat if your vehicle has that feature.
- If your steering wheel is adjustable, tilt it downward. This points the airbag toward your chest instead of your head and neck.

The seat should be adjusted as recommended above, while still maintaining control of the foot pedals, steering wheel, and your view of the instrument panel controls.

Front passenger seat

 CAUTION

The SRS front passenger airbag also deploys with considerable force, and can cause death or serious injury especially if the front passenger is very close to the airbag. The front passenger seat should be as far from the airbag as possible with the seatback adjusted, so the front passenger sits upright.

Front seats (with SRS side airbags)

 CAUTION

The SRS side airbags are installed in the driver and front passenger seats. Observe the following precautions.

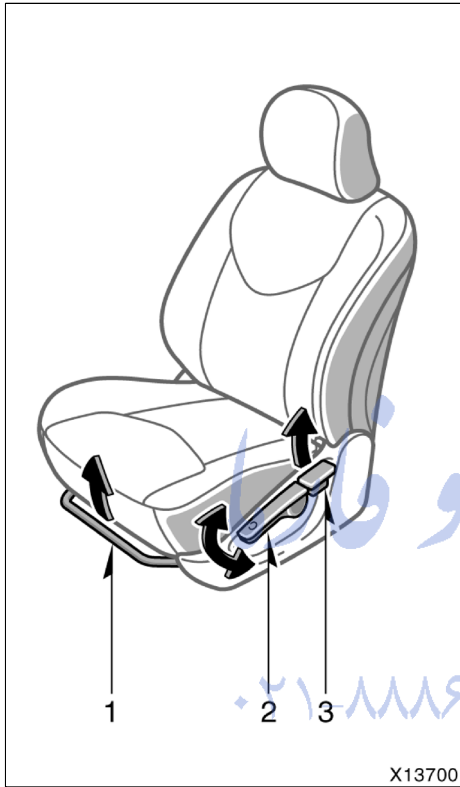
- Do not lean against the front door when the vehicle is in use, since the side airbag inflates with considerable speed and force. Otherwise, you may be killed or seriously injured.
- Do not use seat accessories which cover the area where the side airbags inflate. Such accessories may prevent the side airbags from activating correctly, causing death or serious injury.
- Do not modify or replace the seats or upholstery of the seats with side airbags. Such change may prevent the side airbag system from activating correctly, disable the system or cause the side airbags to inflate accidentally, resulting in death or serious injury.

—Seat adjustment precautions

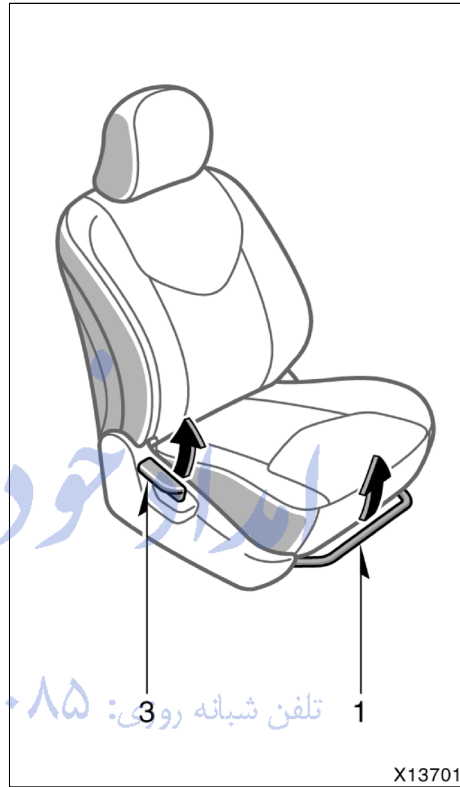
 CAUTION

- Do not adjust the seat while the vehicle is moving as the seat may unexpectedly move and cause the driver to lose control of the vehicle.
- Be careful that the seat does not hit a passenger or luggage.
- After adjusting the seat position, release the lever and try sliding the seat forward and backward to make sure it is locked in position.
- Make sure the seatback is securely locked by pushing forward and rearward on the top of the seatback. Failure to do so will prevent the seat belt from operating properly.
- Do not put objects under the seats. Otherwise, the objects may interfere with the seat-lock mechanism or unexpectedly push up the seat position adjusting lever and the seat may suddenly move, causing the driver to lose control of the vehicle.
- While adjusting the seat, do not put your hands under the seat or near the moving parts. Otherwise, your hands or fingers may be caught and injured.

—Adjusting front seats
(manual seat)



Driver's seat



Passenger's seat

—Adjusting front seats (power seat)

1. SEAT POSITION ADJUSTING LEVER

Hold the center of the lever and pull it up. Then slide the seat to the desired position with slight body pressure and release the lever.

2. SEAT HEIGHT ADJUSTING LEVER

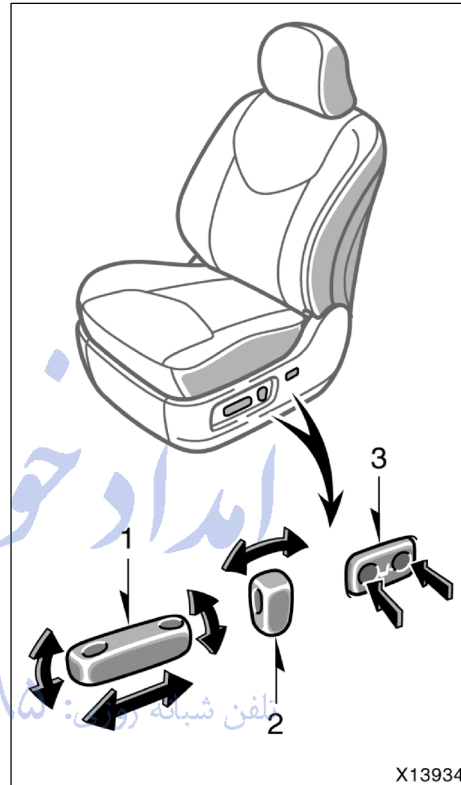
Pull up or push down the lever.

3. SEATBACK ANGLE ADJUSTING LEVER

Lean forward and pull the lever up. Then lean back to the desired angle and release the lever.

⚠ CAUTION

Avoid reclining the seatback any more than needed. The seat belts provide maximum protection in a frontal or rear collision when the driver and the front passenger are sitting up straight and well back in the seats. If you are reclined, the lap belt may slide past your hips and apply restraint forces directly to the abdomen or your neck may contact the shoulder belt. In the event of a frontal collision, the more the seat is reclined, the greater the risk of death or serious injury.



X13934

1. SEAT POSITION, SEAT CUSHION ANGLE AND SEAT HEIGHT ADJUSTING SWITCH

Move the control switch in the desired direction.

Releasing the switch will stop the seat at that position.

Do not place anything under the front seats, as this might interfere with the seat movement.

2. SEATBACK ANGLE ADJUSTING SWITCH

Move the control switch in the desired direction.

Releasing the switch will stop the seatback at that position.

CAUTION

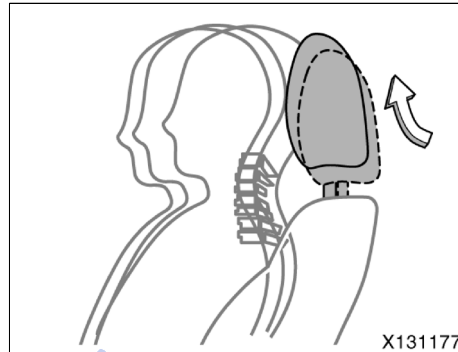
Avoid reclining the seatback any more than needed. The seat belts provide maximum protection in a frontal or rear collision when the driver and the front passenger are sitting up straight and well back in the seats. If you are reclined, the lap belt may slide past your hips and apply restraint forces directly to the abdomen or your neck may contact the shoulder belt. In the event of a frontal collision, the more the seat is reclined, the greater the risk of death or serious injury.

3. SEAT LUMBAR SUPPORT ADJUSTING SWITCH

Push the control switch on either side.

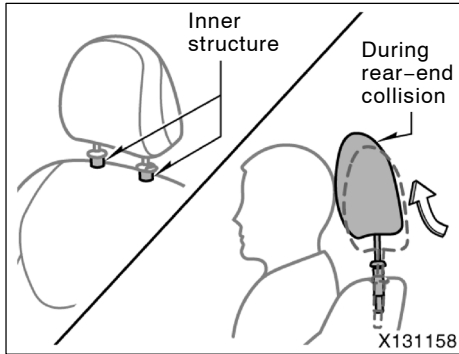
The amount of lumbar support will change while the switch is pushed.

—Active head restraints (on some models)



Active head restraints are designed to help reduce the risk of whiplash on the seat occupant by moving slightly forward and upward when the occupant's lower back presses against the seatback during a rear-end collision.

Rear seats— —Seat adjustment precautions

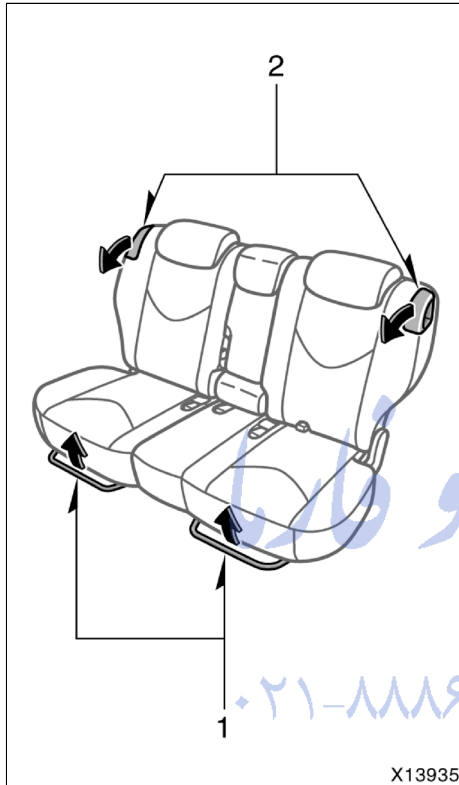


Even small forces applied to the seatback may cause the head restraint to move. Pushing up a locked head restraint forcibly may appear the head restraint inner structure. These do not indicate problems.

CAUTION

- Adjustment should not be made while the vehicle is moving.
- When adjusting the seat, be careful that the seat does not hit a passenger or luggage.
- Adjust both seat cushions to the same position and align all seatbacks at the same angle when a person sits in the rear center position. Otherwise, the person cannot wear the seat belt properly and this may cause serious injuries in a collision.
- After adjusting the seat position, try sliding it forward and backward to make sure the seat is locked in position.
- When returning seats to their original position, observe the following precautions in order to prevent death or serious injury in the event of a sudden stop, sudden swerve or accident:
 - Make sure the seat is securely locked by pushing forward and rearward on the top of the seatback. Failure to do so will prevent the seat belt from operating properly.
 - Make sure the seat belts are not twisted or caught under the seat and are arranged in their proper position and are ready to use.

Folding down the seats will enlarge the luggage compartment. See "Luggage stowage precautions" on page 402 in Section 2 for precautions when loading luggage.

—Adjusting rear seats**1. SEAT POSITION ADJUSTING LEVER**

Hold the center of the lever and pull it up. Then slide the seat to the desired position with slight body pressure and release the lever.

When a person sits in the rear center position, adjust both seat cushions to the same position.

2. SEATBACK ANGLE ADJUSTING LEVER

Pull down the lever. Then lean back to the desired angle and release the lever.

When a person sits in the rear center position, align all seatbacks at the same angle.

⚠ CAUTION

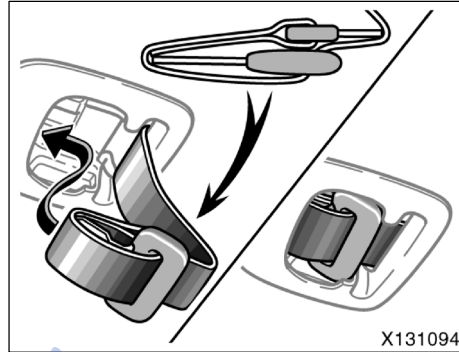
- Adjustments should not be made while the vehicle is moving.
- Adjust both seat cushions to the same position and align all seatbacks at the same angle when a person sits in the rear center position. Otherwise, the person cannot wear the seat belt properly and this may cause serious injuries in a collision.
- Avoid reclining the seatback any more than needed. The seat belts provide maximum protection in a frontal or rear collision when the passengers are sitting up straight and well back in the seats. If you are reclined, the lap belt may slide past your hips and apply restraint forces directly to the abdomen or your neck may contact the shoulder belt. In the event of a frontal collision, the more the seat is reclined, the greater the risk of death or serious injury.
- Make sure the seatback is securely locked by pushing forward and rearward on the top of the seatback. Failure to do so will prevent the seat belt from operating properly.

—Fold-down rear seats

**BEFORE FOLDING DOWN REAR SEATS**

1. If the center seat belt is connected, release it to prevent damage.

Insert the round end tab for rear center seat belt, the key (vehicles without smart entry and start system) or the mechanical key (vehicle with smart entry and start system) into the hole on the buckle to release the tab, and allow the belt to retract.



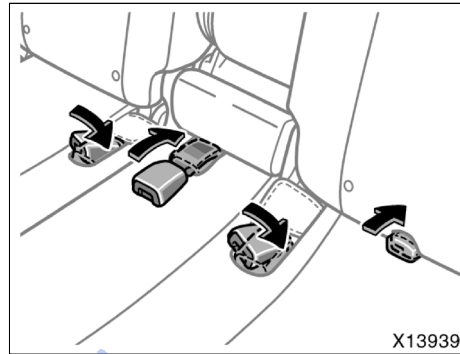
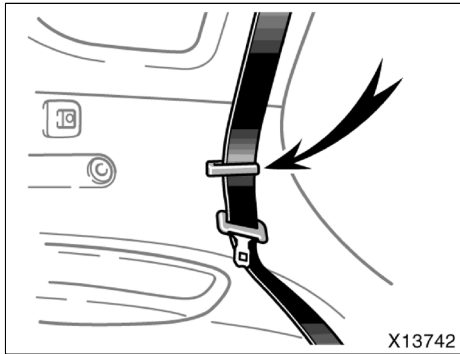
2. Insert the tabs of the center seat belt into the cover. Make sure the tabs are securely locked in the cover.

NOTICE

The seat belt tabs must be stowed before you fold the seatback.

تلفن شبانه روزی: ۰۲۱-۸۸۶۲۰۸۵

FarmaSOS.com



3. Make sure the outer seat belt passes through the hanger when folding the rear seat.

This prevents the shoulder belt from being damaged.

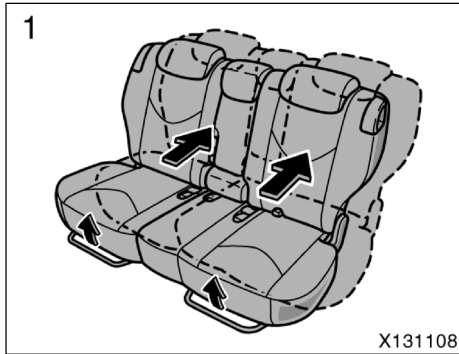
4. Stow the rear seat belt buckles as shown in the illustration.

This prevents the buckles from falling out when you fold down the rear seat.

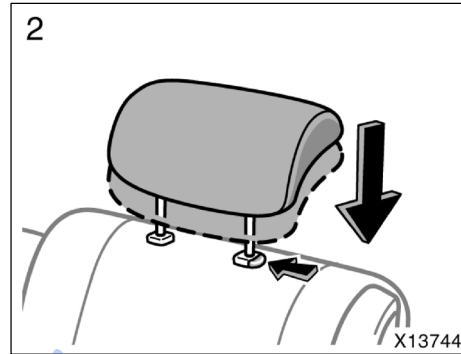
CAUTION
The seat belt must be removed from the hanger when the seat belt is in use.

CAUTION
Before using the seat belt, pull out the buckle and make sure the belt is not twisted.

NOTICE
The seat belt buckles must be stowed before you fold the seatback.

**FOLDING DOWN REAR SEATS**

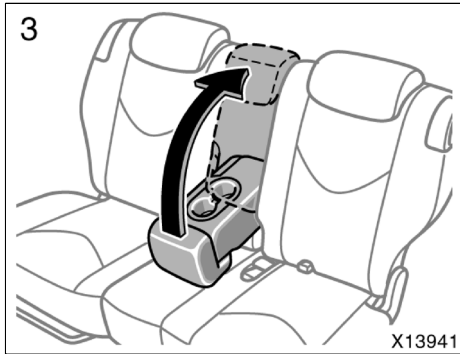
1. Hold the center of the lever and pull it up. Then slide the rear seat fully backward and pull it forward slightly till it locks.



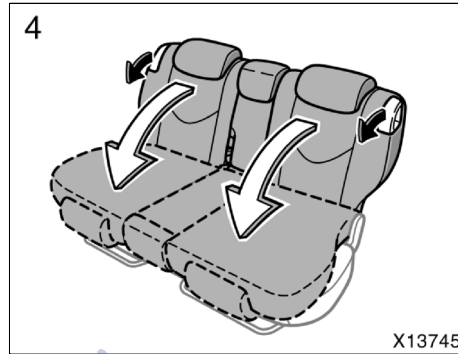
2. Lower the head restraint to the lowest position.

امداد خودرو فارما
تلفن شبانه روزی: ۰۲۱-۸۸۸۶۲۰۸۵

FarmaSOS.com



3. Raise the armrest until it locks.



4. Pull down the seatback angle adjusting lever and fold down the seatback.

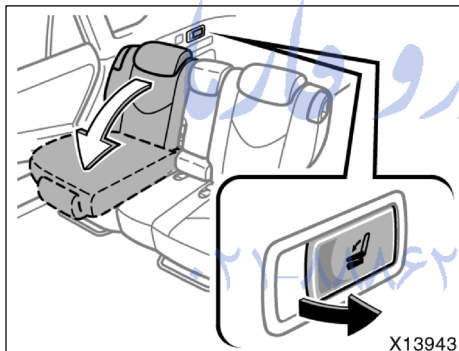
Folding down the seats will enlarge the luggage compartment. See "Luggage stowage precautions" on page 402 in Section 2 for precautions when loading luggage.

تلفن شبانه روزی: ۰۲۱-۸۸۸۶۲۰۸۵

FarmaSOS.com



Left side



Right side

The rear seat can be folded down from the luggage compartment. Open the back door and pull the lock release lever to fold down the rear seat.

Before folding down the rear seat, slide the rear seat fully backward and pull it forward slightly until it locks. Then raise the armrest until it locks.

Folding down the seats will enlarge the luggage compartment. See "Luggage storage precautions" on page 402 in Section 2 for precautions when loading luggage.

CAUTION

Do not fold the rear seatback when the rear passengers sit on the rear seats or the luggage is placed on the seat. Make sure that no passengers or luggage are on the rear seats.

RETURNING SEATBACKS

Raise the seatback until it locks.

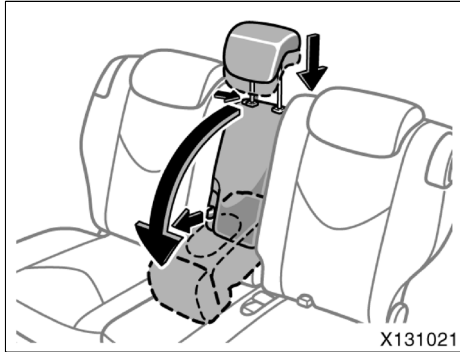
CAUTION

Do not allow passengers to ride on the folded seat or in the luggage compartment while driving; use the seat in its normal position.

When returning the seatback to the upright position, observe the following precautions in order to prevent death or serious injury in the event of a sudden stop, sudden swerve or accident:

- Make sure the seatback is securely locked by pushing forward and rearward on the top of the seatback. Failure to do so will prevent the seat belt from operating properly.
- Make sure the seat belts are not twisted or caught in the seatback and are arranged in their proper position and are ready to use.

Armrest

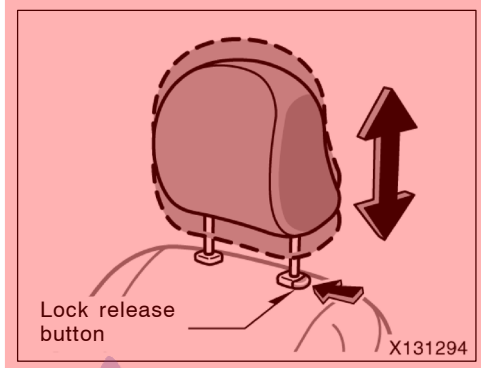


To use the armrest, lower the center head restraint. Pull the lock release strap and pull the armrest down.

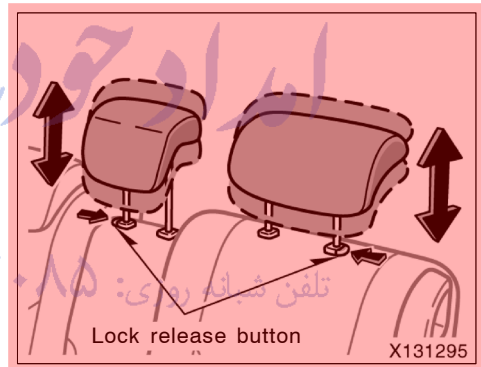
NOTICE

To prevent damage to the armrest, avoid putting heavy loads on it.

Head restraints



Front seats



Rear seats

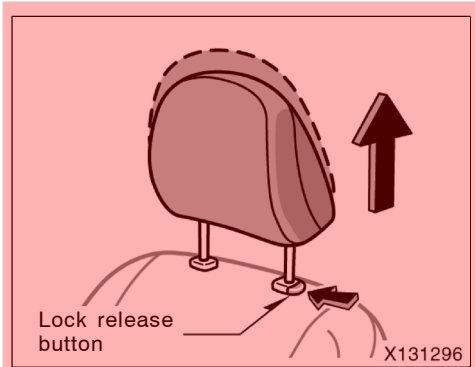
For your safety and comfort, adjust the head restraint before driving.

To raise: Pull it up.

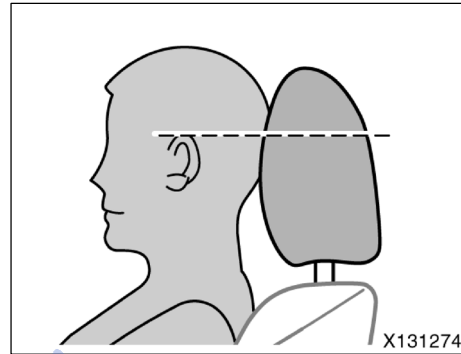
To lower: Push it down while pressing the lock release button.

The rear head restraints—When an occupant sits on the rear seat, always pull up the head restraint to the lock position.

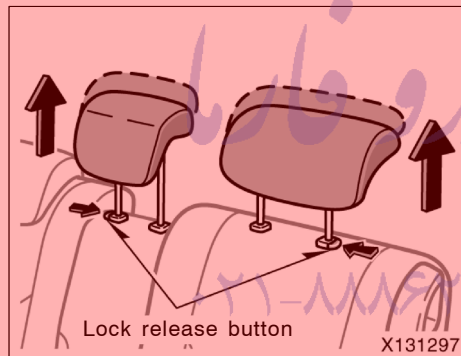
The head restraint is most effective when it is close to your head. Therefore, using a cushion on the seatback is not recommended.



Front seats



- Adjust the center of the head restraint so that it is closest to the top of your ears.



Rear seats

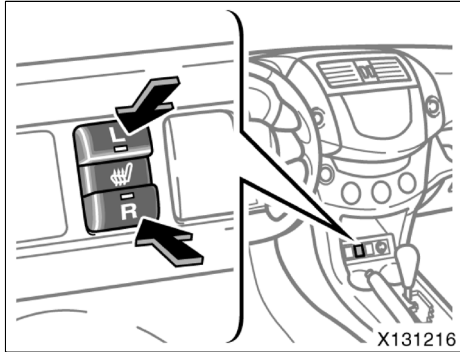
REMOVING THE HEAD RESTRAINTS

Pull the head restraint up while pressing the lock release button.

⚠ CAUTION

- Use the head restraint designed for each respective seat.
- After adjusting the head restraint, make sure it is locked in position.
- Do not drive with the head restraints removed.

Seat heater



To turn on the seat heater, push the switches (“L” switch for the left front seat and “R” switch for the right front seat). At this time, the indicator light will illuminate to indicate the seat heater is operating.

To turn off the seat heater, push the switch once again.

Vehicles without smart entry and start system—The engine switch must be set at the “ON” position to operate seat heaters.

Vehicles with smart entry and start system—The “ENGINE START STOP” switch must be set at IGNITION ON mode to operate seat heaters.

⚠ CAUTION

Occupants must use caution when operating the seat heater because it may make them feel too hot or cause burns at low temperatures (erythema, varicella). Use extra caution for;

- Babies, small children, elderly persons, sick persons or persons with physical disabilities
- Persons who have sensitive skin
- Persons who are exhausted
- Persons who have taken alcohol or drugs which induce sleep (sleeping drug, cold remedy, etc.)

To prevent the seat overheating, do not use the seat heater with a blanket, cushion, or other insulating objects which cover the seat.

NOTICE

- ◆ *Do not put unevenly weighed objects on the seat and do not stick sharp objects (needles, nails, etc.) into the seat.*
- ◆ *When cleaning the seats, do not use organic substances (paint thinner, benzine, alcohol, gasoline, etc.). They may damage the heater and seat surface.*
- ◆ *To prevent the battery from being discharged, turn the switch off when the engine is not running.*

Seat belts— —Seat belt precautions

Toyota strongly urges that the driver and passengers in the vehicle be properly restrained at all times with the seat belts provided. Failure to do so could increase the chance of injury and/or the severity of injury in accidents.

The seat belts provided for your vehicle are designed for people of adult size, large enough to properly wear them.

Child. Use a child restraint system appropriate for the child until the child becomes large enough to properly wear the vehicle's seat belts. Toyota recommends you use a child restraint system which conforms to the regulation "ECE No.44". See "Child restraint" on page 137 in this Section for details.

If a child is too large for a child restraint system, the child should sit in the rear seat and must be restrained using the vehicle's seat belt. According to accident statistics, the child is safer when properly restrained in the rear seat than in the front seat.

If a child must sit in the front seat, the seat belts should be worn properly. If an accident occurs and the seat belts are not worn properly, the force of the rapid inflation of the airbag may cause death or serious injury to the child.

Do not allow any children to stand up or kneel on either rear or front seats. An unrestrained child could suffer serious injury death or during emergency braking or a collision. Also, do not let the child sit on your lap. Holding a child in your arms does not provide sufficient restraint.

Pregnant woman. Toyota recommends the use of a seat belt. Ask your doctor for specific recommendations. The lap belt should be worn securely and as low as possible over the hips and not on the waist.

Injured person. Toyota recommends the use of a seat belt. Depending on the injury, first check with your doctor for specific recommendations.

If seat belt regulations exist in the country where you reside, please contact any authorized Toyota dealer or repairer, or another duly qualified and equipped professional, for seat belt replacement or installation.

CAUTION

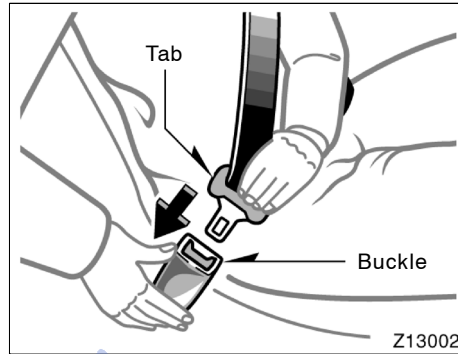
Persons should ride in their seats properly wearing their seat belts whenever the vehicle is moving. Otherwise, they are much more likely to suffer serious bodily injury or death in the event of sudden braking or a collision.

When using the seat belts, observe the following:

- **Use the belt for only one person at a time. Do not use a single belt for two or more people—even children.**
- **Avoid reclining the seatback any more than needed. The seat belts provide maximum protection in a frontal or rear collision when the driver and the front passenger are sitting up straight and well back in the seats. If you are reclined, the lap belt may slide past your hips and apply restraint forces directly to the abdomen or your neck may contact the shoulder belt. In the event of a frontal collision, the more the seat is reclined, the greater the risk of death or serious injury.**
- **Be careful not to damage the belt webbing or hardware. Take care that they do not get caught or pinched in the seat or side doors.**
- **Inspect the belt system periodically. Check for cuts, fraying, and loose parts. Damaged parts should be replaced. Do not disassemble or modify the system.**

- Keep the belts clean and dry. If they need cleaning, use a mild soap solution or lukewarm water. Never use bleach, dye, or abrasive cleaners, or allow them to come into contact with the belts—they may severely weaken the belts. (See “Cleaning the interior” on page 490 in Section 5.)
- Replace the belt assembly (including bolts) if it has been used in a severe impact. The entire assembly should be replaced even if damage is not obvious.

—Fastening front and rear seat belts



Adjust the seat as needed and sit up straight and well back in the seat. To fasten your belt, pull it out of the retractor and insert the tab into the buckle.

You will hear a click when the tab locks into the buckle.

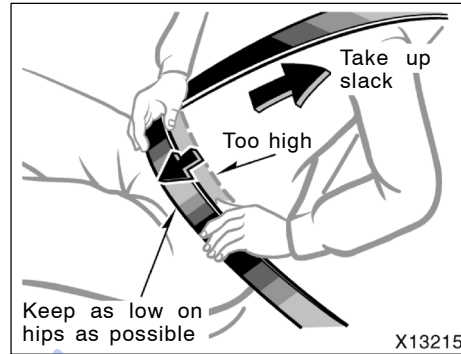
The seat belt length automatically adjusts to your size and the seat position.

The retractor will lock the belt during a sudden stop or on impact. It also may lock if you lean forward too quickly. A slow, easy motion will allow the belt to extend, and you can move around freely.

If the seat belt cannot be pulled out of the retractor, firmly pull the belt and release it. You will then be able to smoothly pull the belt out of the retractor.

CAUTION

- After inserting the tab, make sure the tab and buckle are locked and that the belt is not twisted.
- Do not insert coins, clips, etc. in the buckle as this may prevent you from properly latching the tab and buckle.
- If the seat belt does not function normally, immediately contact any authorized Toyota dealer or repairer, or another duly qualified and equipped professional. Do not use the seat until the seat belt is fixed, because it cannot protect an adult occupant or your child from death or serious injury.

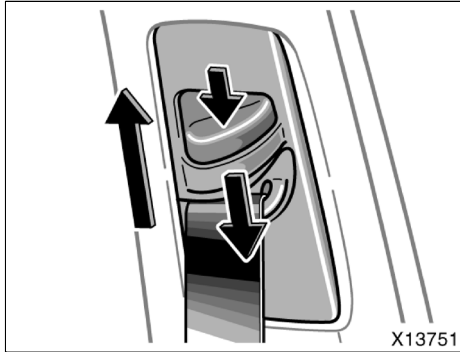


Adjust the position of the lap and shoulder belts.

Position the lap belt as low as possible on your hips—not on your waist, then adjust it to a snug fit by pulling the shoulder portion upward through the latch plate.

CAUTION

- Both high-positioned lap belts and loose-fitting belts could cause death or serious injuries due to sliding under the lap belt during a collision or other unintended event. Keep the lap belt positioned as low on hips as possible.
- Do not place the shoulder belt under your arm.



X13751

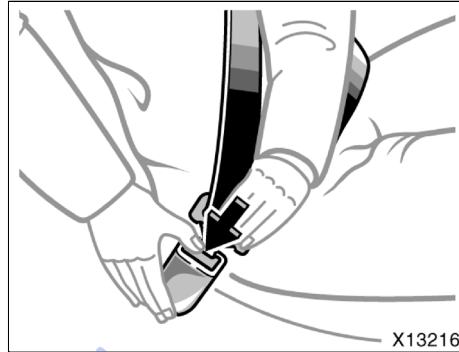
Seat belts with an adjustable shoulder anchor—

Adjust the shoulder anchor position to your size.

To raise: Slide the anchor up.

To lower: Push in the lock release button and slide the anchor down.

After adjustment, make sure the anchor is locked in position.



X13216

To release the belt, press the buckle release button and allow the belt to retract.

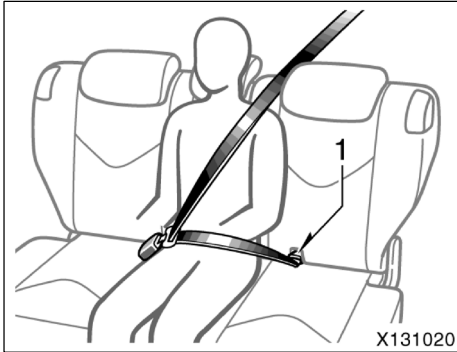
If the belt does not retract smoothly, pull it out and check for kinks or twists. Then make sure it remains untwisted as it retracts.



CAUTION

Always make sure the shoulder belt is positioned across the center of your shoulder. The belt should be kept away from your neck, but not falling off your shoulder. Failure to do so could reduce the amount of protection in an accident and cause death or serious injuries in a collision.

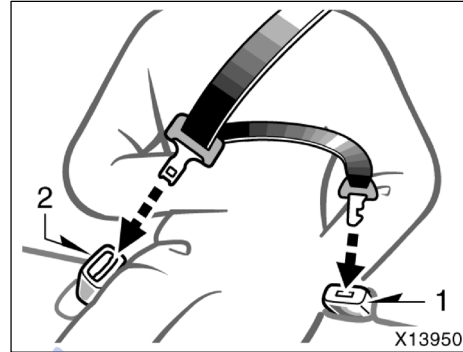
تلفن شبانه روزی: ۰۸۵-۸۸۶۲-۸۸۶۲
SOS.com



REAR CENTER SEAT BELT

The rear center seat belt is a 3-point type restraint with 2 buckles. Both seat belt buckles must be correctly located and securely latched for proper operation.

Make sure that buckle 1 is securely latched for ready use of the center seat belt.



Two buckles and tabs for rear center seat belt

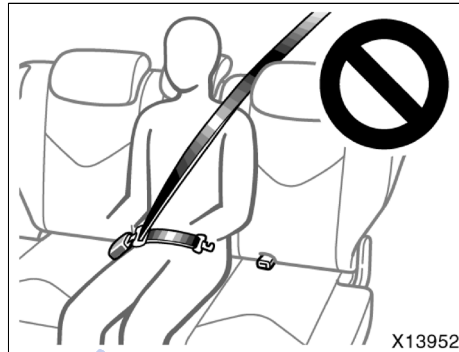
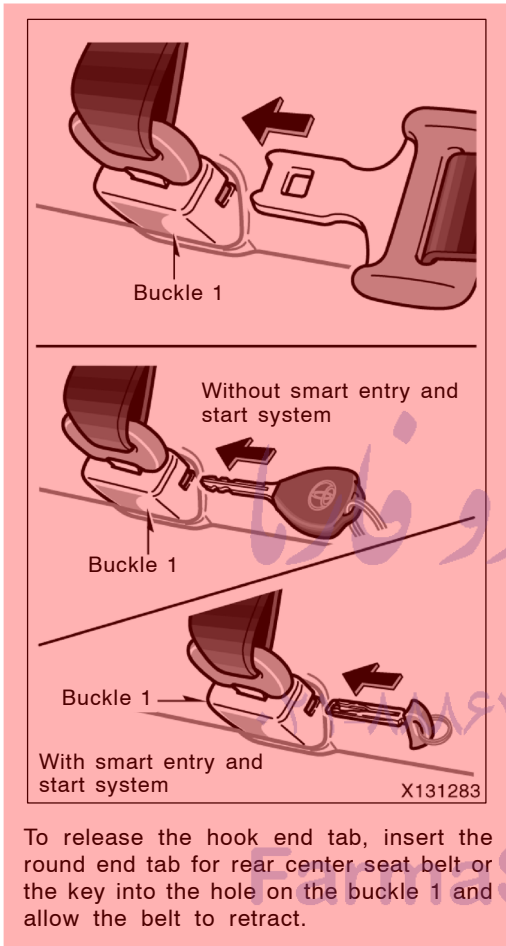
The two tabs have different shape for its end so that the belt is not buckled in the wrong place.

Buckle 1—Properly matches with hook end tab

Buckle 2—Properly matches with round end tab

CAUTION

Make sure the both buckles are correctly located and securely latched. Failure to properly match the buckle and tab may cause death or serious injury in case of an accident or a collision.



CAUTION

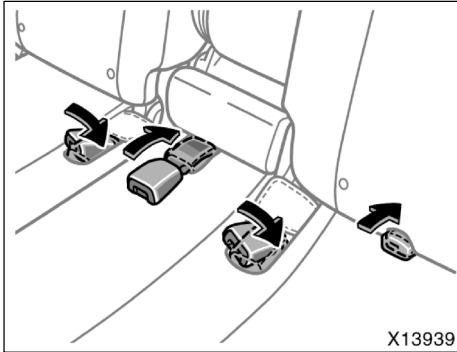
Do not use the rear center seat belt with either buckle released. Fastening only the shoulder belt or lap belt may cause death or serious injury in case of sudden braking or a collision.

To release the hook end tab, insert the round end tab for rear center seat belt or the key into the hole on the buckle 1 and allow the belt to retract.

SOS.com


تلفن شبانه روزی: ۰۸۵+۲۰۸۶۲

—Stowing the rear seat belt buckles

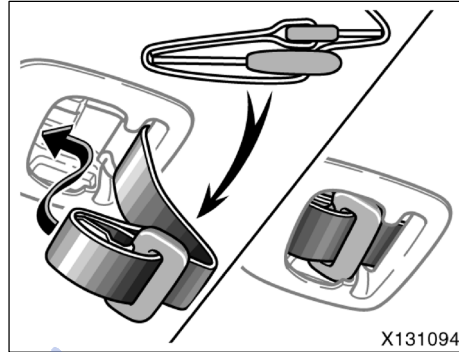


The rear seat belt buckles can be stowed when not in use.

The seat belt buckles must be stowed before you fold the seatback.

 CAUTION
<p>Before using the seat belt, pull out the buckle and make sure the belt is not twisted.</p>

—Stowing the rear center seat belt



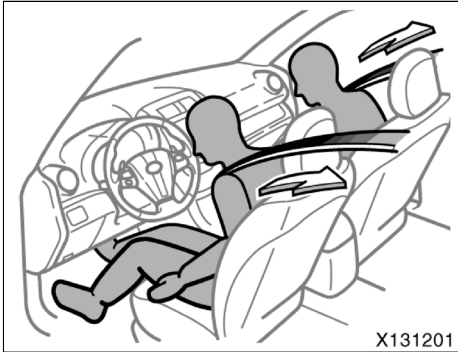
STOWING THE REAR CENTER SEAT BELT

Insert the tabs of the center seat belt into the cover as shown above. Make sure the tabs are securely locked in the cover.

The seat belt tabs must be stowed before you fold the seatback. (See “—Fold-down rear seats” on page 91 in this Section.)

NOTICE
<p><i>Stow the rear center seat belt tabs when not in use.</i></p>

—Seat belt pretensioners

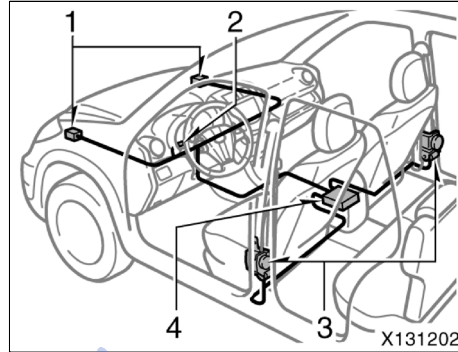


The driver and front passenger seat belt pretensioners are designed to be activated in response to a severe frontal impact.

When the sensor detects a severe frontal impact, the front seat belts are quickly drawn back by the retractors so that the belts snugly restrain the occupants.

The seat belt pretensioners are activated even with no passenger in the front seat.

The seat belt pretensioners and SRS airbags may not operate together in all collisions.



The seat belt pretensioner system consists mainly of the following components and their locations are shown in the illustration.

1. Front airbag sensors
2. SRS warning light
3. Seat belt pretensioner assemblies
4. Airbag sensor assembly

The seat belt pretensioners are controlled by the airbag sensor assembly. The airbag sensor assembly consists of a safing sensor and airbag sensor.

When the seat belt pretensioners are activated, an operating noise may be heard and a small amount of non-toxic gas may be released. This does not indicate that a fire is occurring. This gas is normally harmless.

Once the seat belt pretensioners have been activated, the seat belt retractors remain locked.

If the vehicle is involved in multiple collisions, the pretensioner will activate for the first collision, but will not activate for the second or subsequent collisions.

⚠ CAUTION

Observe the following precautions to reduce the risk of injury in the event of sudden braking or an accident. Failure to do so may cause death or severe injury.

- If the pretensioner has activated, the SRS warning light will come on. In that case, the seat belt cannot be used again and must be replaced at any authorized Toyota dealer or repairer, or another duly qualified and equipped professional.
- Do not modify, remove, strike or open the seat belt pretensioner assemblies, airbag sensor or surrounding area or wiring. Consult any authorized Toyota dealer or repairer, or another duly qualified and equipped professional about any repair and modification.

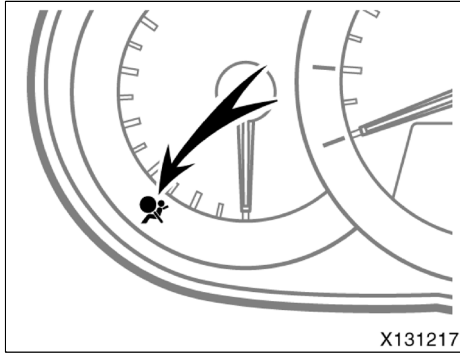
NOTICE

Do not perform any of the following changes without consulting any authorized Toyota dealer or repairer, or another duly qualified and equipped professional. Such changes can interfere with proper operation of the seat belt pretensioners in some cases.

- ◆ *Installation of electronic devices such as an RF-transmitter, cassette tape player or compact disc player*
- ◆ *Repairs on or near the front seat belt retractor assemblies*
- ◆ *Modification of the suspension system*
- ◆ *Modification of the front end structure*
- ◆ *Attachment of a grille guard (bull bar, kangaroo bar, etc.), snowplow, winches or any other equipment to the front end*
- ◆ *Repairs made on or near the front fenders, front end structure or console*

۰۲۱-۸۸۶۲۰۸۵

FarmaSOS.com



Vehicles without smart entry and start system—This indicator comes on when the engine switch is set at the “ON” position. It goes off after about 6 seconds. This means the seat belt pretensioners are operating properly.

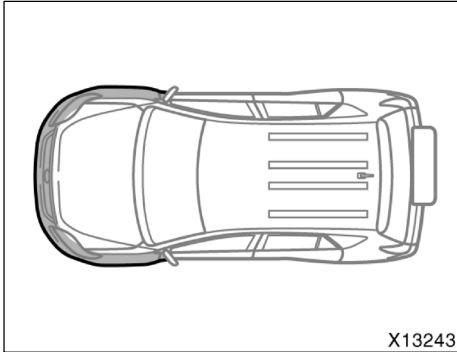
Vehicles with smart entry and start system—This indicator comes on when the “ENGINE START STOP” switch is set at IGNITION ON mode. It goes off after about 6 seconds. This means the seat belt pretensioners are operating properly.

This warning light system monitors the airbag sensor assembly, front airbag sensors, side and curtain shield airbag sensors, curtain shield airbag sensors, driver’s seat position sensor, driver’s seat belt buckle switch, front passenger airbag manual on-off switch, front passenger airbag on-off indicator light, seat belt pretensioner assemblies, inflators, interconnecting wiring and power sources. (For details, see “Service reminder indicators and warning buzzers” on page 220 in Section 1-6.)

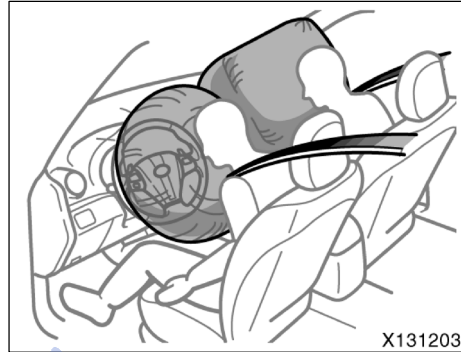
If any of the following conditions occurs, this indicates a malfunction of the airbags or seat belt pretensioners. Contact your any authorized Toyota dealer or repairer, or another duly qualified and equipped professional, as soon as possible.

- Vehicles without smart entry and start system—The light does not come on when the engine switch is set at the “ON” position or remains on for more than 6 seconds.
- Vehicles with smart entry and start system—The light does not come on when the “ENGINE START STOP” switch is set at IGNITION ON mode or remains on for more than 6 seconds.
- The light comes on while driving.
- If any front seat belt does not retract or cannot be pulled out due to a malfunction or activation of the relevant seat belt pretensioner.
- The seat belt pretensioner assembly or surrounding area has been damaged.

SRS driver airbag and front passenger airbag



X13243



X131203

In the following cases, contact any authorized Toyota dealer or repairer, or another duly qualified and equipped professional, as soon as possible:

- The front of the vehicle (shaded in the illustration) was involved in an accident that was not severe enough to cause the seat belt pretensioners to operate.
- Either seat belt pretensioner assembly or surrounding area is scratched, cracked, or otherwise damaged.

The SRS (Supplemental Restraint System) front airbags are designed to provide further protection for the driver and front passenger in addition to the primary safety protection provided by the seat belts.

In response to a severe frontal impact, the SRS front airbags work with the seat belts to help reduce injury by inflating. The SRS airbags help reduce injuries mainly to the driver's or front passenger's head or chest caused by hitting the vehicle interior.

The front passenger airbag is activated even with no passenger in the front seat.

Always wear your seat belt properly.

The front passenger airbag and SRS side airbag on passenger seat can be disabled only when installing a rear-facing child restraint system on the front passenger seat.

See "Passenger airbag manual on-off switch" on page 134 in this Section for details.

**CAUTION**

- The SRS front airbag system is designed only as a supplement to the primary protection of the driver and front passenger seat belt systems. The driver and front passenger can be killed or seriously injured by the inflating airbags if they do not wear the available seat belts properly. During sudden braking just before a collision, an unrestrained driver or front passenger can move forward into direct contact with or close proximity to the airbag which may then deploy during the collision. To ensure maximum protection in an accident, the driver and all passengers in the vehicle must wear their seat belts properly. Wearing a seat belt properly during an accident reduces the chances of death or serious injury or being thrown out of the vehicle. For instructions and precautions concerning the seat belt system, see "Seat belts" on page 99 in this Section.
- Improperly seated and/or restrained infants and children can be killed or seriously injured by the deploying airbags. An infant or child who is too small to use a seat belt should be properly secured using a child restraint system. Toyota strongly recommends that all infants and children be placed in the rear seat of the vehicle and properly restrained. The rear seat is the safest for infants and children. For instructions concerning the installation of a child restraint system, see "Child restraint" on page 137 in this Section.

- Do not turn off the passenger airbag manual on-off switch except when the rear-facing child restraint system is installed on the front passenger seat.
- When the passenger airbag manual on-off switch is turned off, the front passenger airbag will not inflate in a collision and turning off the front passenger airbag can reduce the occupant protection which your vehicle safety systems can provide to you in certain accidents and increase the likelihood of death or serious injuries.

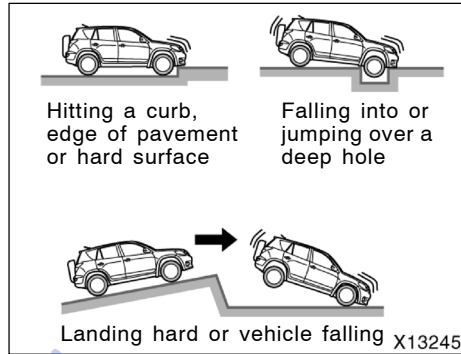
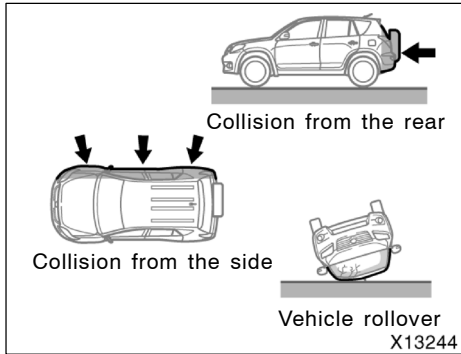
The SRS front airbags are designed to deploy in severe (usually frontal) collisions where the magnitude and duration of the forward deceleration of the vehicle exceeds the designed threshold level.

The SRS front airbags will deploy in the event of an impact that exceeds the set threshold level (the level of force corresponding to an approximately 20 – 30 km/h [12 – 18 mph] frontal collision with a fixed wall that does not move or deform).

However, this threshold velocity will be considerably higher if the vehicle strikes an object, such as a parked vehicle or sign pole, which can move or deform on impact, or if the vehicle is involved in an underride collision (e.g. a collision in which the front of the vehicle "underrides", or goes under, the bed of a truck, etc.).

It is possible that in some collisions where the forward deceleration of the vehicle is very close to the designed threshold level, the SRS front airbags and the seat belt pretensioners may not activate together.

Always wear your seat belts properly.

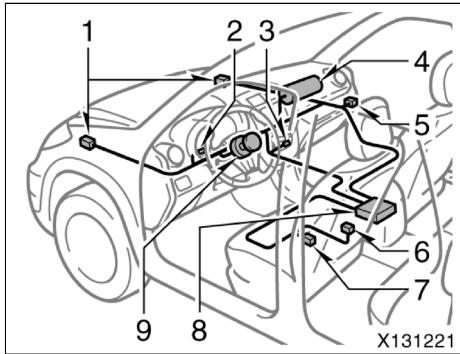


The SRS front airbags are not generally designed to inflate if the vehicle is involved in a side or rear collision, if it rolls over, or if it is involved in a low-speed frontal collision. But, whenever a collision of any type causes sufficient forward deceleration of the vehicle, deployment of the SRS front airbags may occur.

The SRS front airbags may also deploy if a serious impact occurs to the underside of your vehicle. Some examples are shown in the illustration.

تلفن شبانه روزی: ۰۲۱-۸۸۶۲۰۸۵

FarmaSOS.com



The SRS front airbag system consists mainly of the following components, and their locations are shown in the illustration.

1. Front airbag sensors
2. SRS warning light
3. Front passenger airbag on-off indicator light
4. Airbag module for front passenger (airbag and inflator)
5. Front passenger airbag manual on-off switch
6. Driver's seat belt buckle switch
7. Driver's seat position sensor
8. Airbag sensor assembly
9. Airbag module for driver (airbag and inflator)

The airbag sensor assembly consists of a safing sensor and airbag sensor.

The front airbag sensors constantly monitor the forward deceleration of the vehicle. If an impact results in a forward deceleration beyond the designed threshold level, the system triggers the airbag inflators. At this time a chemical reaction in the inflators very quickly fills the airbags with non-toxic gas to help restrain the forward motion of the occupants. The front airbags then quickly deflate, so that there is no obstruction of the driver's vision should it be necessary to continue driving.

When the airbags inflate, they produce a loud noise and release some smoke and residue along with non-toxic gas. This does not indicate a fire. This smoke may remain inside the vehicle for some time, and may cause some minor irritation to the eyes, skin or breathing. Be sure to wash off any residue as soon as possible to prevent any potential skin irritation with soap and water. If you can safely exit from the vehicle, you should do so immediately.

Deployment of the airbags happens in a fraction of a second, so the airbags must inflate with considerable force. While the system is designed to reduce serious injuries, primarily to the head and chest, it may also cause other, less severe injuries to the face, chest, arms and hands. These are usually in the nature of minor burns or abrasions and swelling, but the force of a deploying airbag can cause more serious injuries, especially if an occupant's hands, arms, chest or head is in close proximity to the airbag module at the time of deployment. This is why it is important for the occupant to: avoid placing any object or part of the body between the occupant and the airbag module; sit straight and well back into the seat; wear the available seat belt properly; and sit as far as possible from the airbag module, while still maintaining control of the vehicle.

Parts of the airbag module (steering wheel hub, dashboard, airbag cover and inflator) may be hot for several minutes after deployment, so do not touch! The airbags inflate only once. The windshield may be damaged by absorbing some of the force of the inflating airbag.

⚠ CAUTION

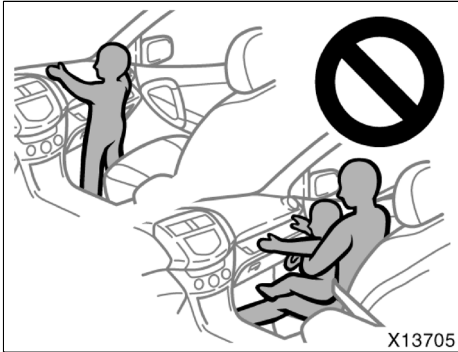
The driver or front passenger who is too close to the steering wheel or dashboard during airbag deployment can be killed or seriously injured. Toyota strongly recommends that:

- The driver sit as far back as possible from the steering wheel while still maintaining control of the vehicle.
- The front passenger sit as far back as possible from the dashboard.
- All vehicle occupants must be properly restrained using the available seat belts.

For instructions and precautions concerning the seating position, see “—Front seat precautions” on page 84 in this Section.

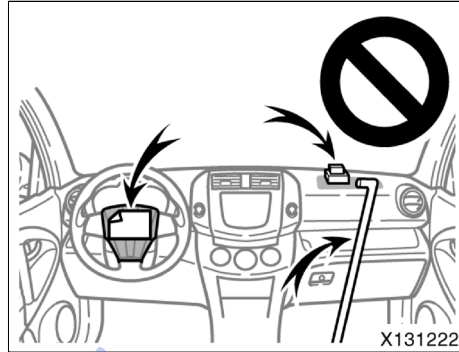


- Do not sit on the edge of the seat or lean against the dashboard when the vehicle is in use, since the front passenger airbag could inflate with considerable speed and force. Anyone who is up against, or very close to, an airbag when it inflates, can be killed or seriously injured. Sit up straight and well back in the seat, and always use your seat belt properly.



X13705

- Toyota strongly recommends that all infants and children be placed in the rear seat of the vehicle and be properly restrained.
- Do not allow a child to stand up or kneel on the front passenger seat, since the front passenger airbag could inflate with considerable speed and force. Otherwise, the child may be killed or seriously injured.
- Do not hold a child on your lap or in your arms. Use a child restraint system in the rear seat. For instructions concerning the installation of a child restraint system, see "Child restraint" on page 137 in this Section.



X131222

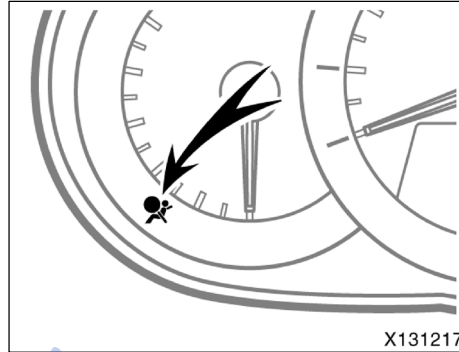
- Do not put anything or any part of your body or install anything such as accessories or turbo timers on or in front of the dashboard or steering wheel pad that houses the front airbag system. They might restrict inflation or cause death or serious injury as they are projected rearward by the force of the deploying airbags. Likewise, the driver and front passenger should not hold objects in their arms or on their knees.
- Do not modify or remove any wiring. Do not modify, remove, strike or open any components such as the steering wheel pad, steering wheel, column cover, dashboard near the front passenger airbag, front passenger airbag or airbag sensor assembly. Doing so may prevent the front airbag system from activating correctly, cause sudden activation of the system or disable the system, which could result in death or serious injury.

Failure to follow these instructions can result in death or serious injury. Consult any authorized Toyota dealer or repairer, or another duly qualified and equipped professional, about any repair and modification.

NOTICE

Do not perform any of the following changes without consulting any authorized Toyota dealer or repairer, or another duly qualified and equipped professional. Such changes can interfere with proper operation of the SRS front airbag system in some cases.

- ◆ **Installation of electronic devices such as an RF-transmitter, cassette tape player or compact disc player**
- ◆ **Modification of the suspension system**
- ◆ **Modification of the front end structure**
- ◆ **Attachment of a grille guard (bull bar, kangaroo bar, etc.), snowplow, winches or any other equipment to the front end**
- ◆ **Repairs made on or near the front fenders, front end structure, console, steering column, steering wheel or dashboard near the front passenger airbag**



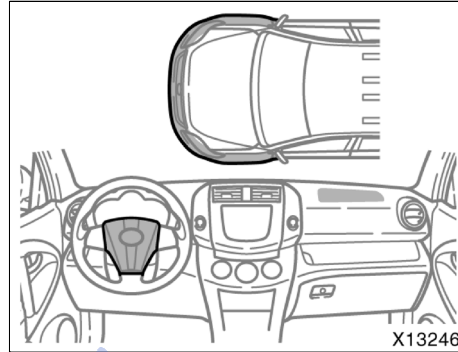
Vehicles without smart entry and start system—This indicator comes on when the engine switch is set at the “ON” position. It goes off after about 6 seconds. This means the SRS front airbags are operating properly.

Vehicles with smart entry and start system—This indicator comes on when the “ENGINE START STOP” switch is set at IGNITION ON mode. It goes off after about 6 seconds. This means the SRS front airbags are operating properly.

This warning light system monitors the airbag sensor assembly, front airbag sensors, side and curtain shield airbag sensors, curtain shield airbag sensors, driver’s seat position sensor, driver’s seat belt buckle switch, front passenger airbag manual on-off switch, front passenger airbag on-off indicator light, seat belt pretensioner assemblies, inflators, interconnecting wiring and power sources. (For details, see “Service reminder indicators and warning buzzers” on page 220 in Section 1-6.)

If any of the following conditions occurs, this indicates a malfunction of the airbags or seat belt pretensioners. Contact any authorized Toyota dealer or repairer, or another duly qualified and equipped professional, as soon as possible.

- Vehicles without smart entry and start system—The light does not come on when the engine switch is set at the “ON” position or remains on for more than 6 seconds.
- Vehicles with smart entry and start system—The light does not come on when the “ENGINE START STOP” switch is set at IGNITION ON mode or remains on for more than 6 seconds.
- The light comes on while driving.

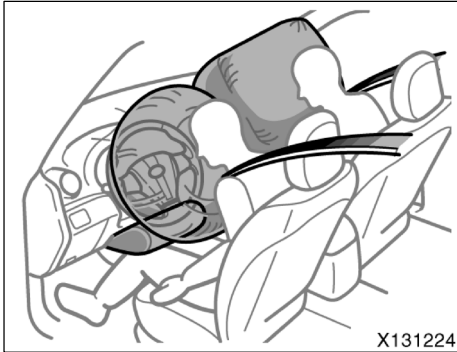


In the following cases, contact any authorized Toyota dealer or repairer, or another duly qualified and equipped professional, as soon as possible:

- The SRS front airbags have been inflated.
- The front of the vehicle (shaded in the illustration) was involved in an accident that was not severe enough to cause the SRS front airbags to inflate.
- The pad section of the steering wheel or dashboard (shaded in the illustration) is scratched, cracked, or otherwise damaged.

FarmaSOS.com

SRS driver airbag, driver knee airbag and front passenger airbag



The SRS (Supplemental Restraint System) front airbags are designed to provide further protection for the driver and front passenger in addition to the primary safety protection provided by the seat belts.

In response to a severe frontal impact, the SRS front airbags work with the seat belts to help reduce injury by inflating. The SRS airbags help reduce injuries mainly to the driver's or front passenger's head, chest or driver's knee caused by hitting the vehicle interior.

The front passenger airbag is activated even with no passenger in the front seat. Always wear your seat belt properly.

The front passenger airbag and SRS side airbag on passenger seat can be disabled only when installing a rear-facing child restraint system on the front passenger seat.

See "Passenger airbag manual on-off switch" on page 134 in this Section for detail.

CAUTION

- The SRS front airbag system is designed only as a supplement to the primary protection of the driver and front passenger seat belt systems. The driver and front passenger can be killed or seriously injured by the inflating airbags if they do not wear the available seat belts properly. During sudden braking just before a collision, an unrestrained driver or front passenger can move forward into direct contact with or close proximity to the airbag which may then deploy during the collision. To ensure maximum protection in an accident, the driver and all passengers in the vehicle must wear their seat belts properly. Wearing a seat belt properly during an accident reduces the chances of death or serious injury or being thrown out of the vehicle. For instructions and precautions concerning the seat belt system, see "Seat belts" on page 99 in this Section.
- Improperly seated and/or restrained infants and children can be killed or seriously injured by the deploying airbags. An infant or child who is too small to use a seat belt should be properly secured using a child restraint system. Toyota strongly recommends that all infants and children be placed in the rear seat of the vehicle and properly restrained. The rear seat is the safest for infants and children. For instructions concerning the installation of a child restraint system, see "Child restraint" on page 137 in this Section.

- Do not turn off the passenger airbag manual on-off switch except when the rear-facing child restraint system is installed on the front passenger seat.
- When the passenger airbag manual on-off switch is turned off, the front passenger airbag will not inflate in a collision and turning off the front passenger airbag can reduce the occupant protection which your vehicle safety systems can provide to you in certain accidents and increase the likelihood of death or serious injuries.

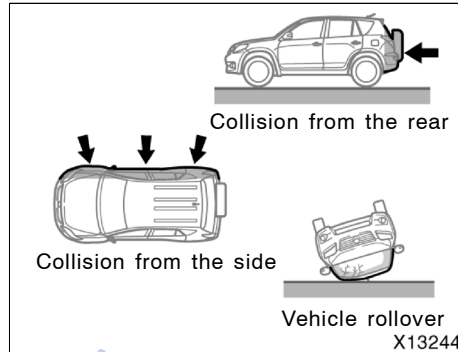
The SRS front airbags are designed to deploy in severe (usually frontal) collisions where the magnitude and duration of the forward deceleration of the vehicle exceeds the designed threshold level.

The SRS front airbags will deploy in the event of an impact that exceeds the set threshold level (the level of force corresponding to an approximately 20 – 30 km/h [12 – 18 mph] frontal collision with a fixed wall that does not move or deform).

However, this threshold velocity will be considerably higher if the vehicle strikes an object, such as a parked vehicle or sign pole, which can move or deform on impact, or if the vehicle is involved in an underride collision (e.g. a collision in which the front of the vehicle “underrides”, or goes under, the bed of a truck, etc.).

It is possible that in some collisions where the forward deceleration of the vehicle is very close to the designed threshold level, the SRS front airbags and the seat belt pretensioners may not activate together.

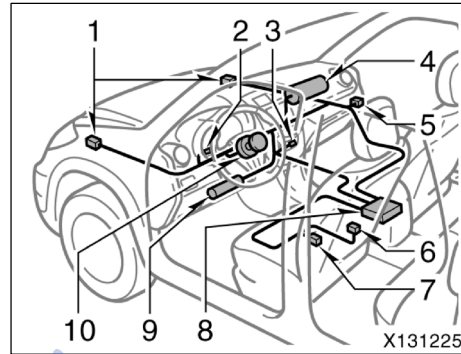
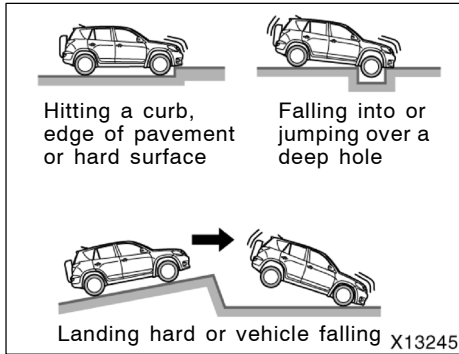
Always wear your seat belts properly.



The SRS front airbags are not generally designed to inflate if the vehicle is involved in a side or rear collision, if it rolls over, or if it is involved in a low-speed frontal collision. But, whenever a collision of any type causes sufficient forward deceleration of the vehicle, deployment of the SRS front airbags may occur.

تلفن شبانه روزی: ۰۲۰۸۵

Emergency SOS.com



The SRS front airbags may also deploy if a serious impact occurs to the underside of your vehicle. Some examples are shown in the illustration.

The SRS front airbag system consists mainly of the following components, and their locations are shown in the illustration.

1. Front airbag sensors
2. SRS warning light
3. Front passenger airbag on-off indicator light
4. Airbag module for front passenger (airbag and inflator)
5. Front passenger airbag manual on-off switch
6. Driver's seat belt buckle switch
7. Driver's seat position sensor
8. Airbag sensor assembly
9. Knee airbag module for driver (airbag and inflator)
10. Airbag module for driver (airbag and inflator)

The airbag sensor assembly consists of a safing sensor and airbag sensor.

The front airbag sensors constantly monitor the forward deceleration of the vehicle. If an impact results in a forward deceleration beyond the designed threshold level, the system triggers the airbag inflators. At this time a chemical reaction in the inflators very quickly fills the airbags with non-toxic gas to help restrain the forward motion of the occupants. The front airbags then quickly deflate, so that there is no obstruction of the driver's vision should it be necessary to continue driving.

When the airbags inflate, they produce a loud noise and release some smoke and residue along with non-toxic gas. This does not indicate a fire. This smoke may remain inside the vehicle for some time, and may cause some minor irritation to the eyes, skin or breathing. Be sure to wash off any residue as soon as possible to prevent any potential skin irritation with soap and water. If you can safely exit from the vehicle, you should do so immediately.

Deployment of the airbags happens in a fraction of a second, so the airbags must inflate with considerable force. While the system is designed to reduce serious injuries, primarily to the head and chest, it may also cause other, less severe injuries to the face, chest, arms and hands. These are usually in the nature of minor burns or abrasions and swelling, but the force of a deploying airbag can cause more serious injuries, especially if an occupant's hands, arms, chest or head is in close proximity to the airbag module at the time of deployment. This is why it is important for the occupant to: avoid placing any object or part of the body between the occupant and the airbag module; sit straight and well back into the seat; wear the available seat belt properly; and sit as far as possible from the airbag module, while still maintaining control of the vehicle.

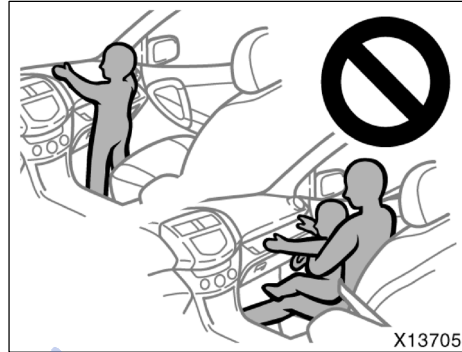
Parts of the airbag module (steering wheel hub, dashboard, lower portion of instrument panel, airbag cover and inflator) may be hot for several minutes after deployment, so do not touch! The airbags inflate only once. The windshield may be damaged by absorbing some of the force of the inflating airbag.

 **CAUTION**

The driver or front passenger who is too close to the steering wheel, lower portion of instrument panel or dashboard during airbag deployment can be killed or seriously injured. Toyota strongly recommends that:

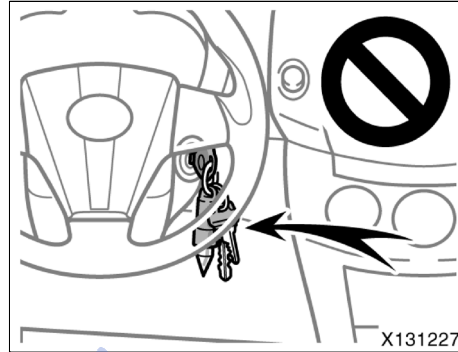
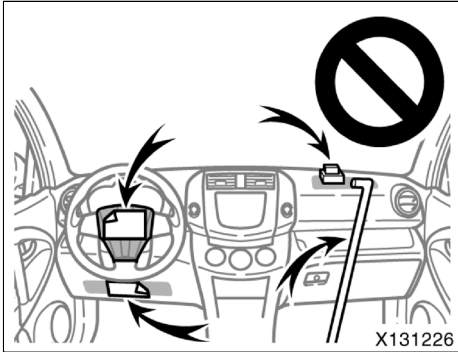
- **The driver sit as far back as possible from the steering wheel while still maintaining control of the vehicle.**
- **The front passenger sit as far back as possible from the dashboard.**
- **All vehicle occupants must be properly restrained using the available seat belts.** تلفن شبانه

For instructions and precautions concerning the seating position, see "—Front seat precautions" on page 84 in this Section.



- Do not sit on the edge of the seat or lean against the dashboard when the vehicle is in use, since the front passenger airbag could inflate with considerable speed and force. Anyone who is up against, or very close to, an airbag when it inflates, can be killed or seriously injured. Sit up straight and well back in the seat, and always use your seat belt properly.

- Toyota strongly recommends that all infants and children be placed in the rear seat of the vehicle and be properly restrained.
- Do not allow a child to stand up or kneel on the front passenger seat, since the front passenger airbag could inflate with considerable speed and force. Otherwise, the child may be killed or seriously injured.
- Do not hold a child on your lap or in your arms. Use a child restraint system in the rear seat. For instructions concerning the installation of a child restraint system, see "Child restraint" on page 137 in this Section.



- Do not put anything or any part of your body or install anything such as accessories or turbo timers on or in front of the dashboard, lower portion of instrument panel or steering wheel pad that houses the front airbag system. They might restrict inflation or cause death or serious injury as they are projected rearward by the force of the deploying airbags. Likewise, the driver and front passenger should not hold objects in their arms or on their knees.

- Do not modify or remove any wiring. Do not modify, remove, strike or open any components such as the steering wheel pad, steering wheel, column cover, dashboard near the front passenger airbag, front passenger airbag, driver knee airbag or airbag sensor assembly. Doing so may prevent the front airbag system from activating correctly, cause sudden activation of the system or disable the system, which could result in death or serious injury.

- Vehicles without smart entry and start system: Do not attach any heavy, sharp or hard objects such as keys or accessories to the key. The objects may restrict the SRS knee airbag inflation or be projected by the force of the deploying airbag, thus causing a danger.

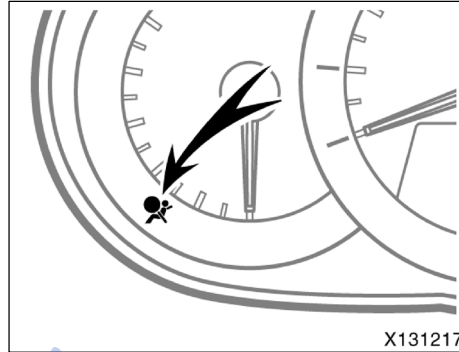
Failure to follow these instructions can result in death or serious injury. Consult any authorized Toyota dealer or repairer, or another duly qualified and equipped professional, about any repair and modification.

SOS.com

NOTICE

Do not perform any of the following changes without consulting any authorized Toyota dealer or repairer, or another duly qualified and equipped professional. Such changes can interfere with proper operation of the SRS front airbag system in some cases.

- ◆ **Installation of electronic devices such as an RF-transmitter, cassette tape player or compact disc player**
- ◆ **Modification of the suspension system**
- ◆ **Modification of the front end structure**
- ◆ **Attachment of a grille guard (bull bar, kangaroo bar, etc.), snowplow, winches or any other equipment to the front end**
- ◆ **Repairs made on or near the front fenders, front end structure, console, steering column, steering wheel, lower portion of instrument panel or dashboard near the front passenger airbag**



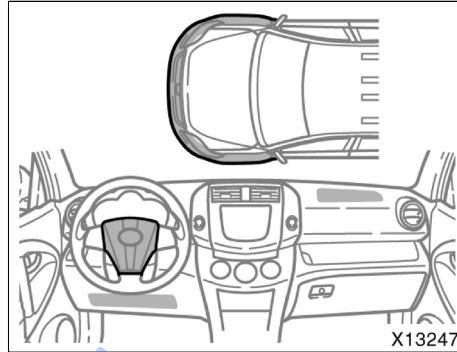
Vehicles without smart entry and start system—This indicator comes on when the engine switch is set at the “ON” position. It goes off after about 6 seconds. This means the SRS front airbags are operating properly.

Vehicles with smart entry and start system—This indicator comes on when the “ENGINE START STOP” switch is set at IGNITION ON mode. It goes off after about 6 seconds. This means the SRS front airbags are operating properly.

This warning light system monitors the airbag sensor assembly, front airbag sensors, side and curtain shield airbag sensors, curtain shield airbag sensors, driver’s seat position sensor, driver’s seat belt buckle switch, front passenger airbag manual on-off switch, front passenger airbag on-off indicator light, seat belt pretensioner assemblies, inflators, interconnecting wiring and power sources. (For details, see “Service reminder indicators and warning buzzers” on page 220 in Section 1-6.)

If any of the following conditions occurs, this indicates a malfunction of the airbags or seat belt pretensioners. Contact any authorized Toyota dealer or repairer, or another duly qualified and equipped professional, as soon as possible.

- Vehicles without smart entry and start system—The light does not come on when the engine switch is set at the “ON” position or remains on for more than 6 seconds.
- Vehicles with smart entry and start system—The light does not come on when the “ENGINE START STOP” switch is set at IGNITION ON mode or remains on for more than 6 seconds.
- The light comes on while driving.

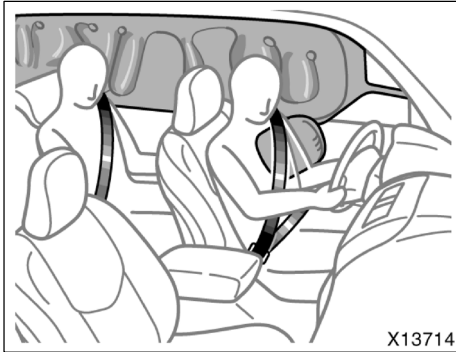


In the following cases, contact any authorized Toyota dealer or repairer, or another duly qualified and equipped professional, as soon as possible:

- The SRS front airbags have been inflated.
- The front of the vehicle (shaded in the illustration) was involved in an accident that was not severe enough to cause the SRS front airbags to inflate.
- The pad section of the steering wheel, lower portion of instrument panel or dashboard (shaded in the illustration) is scratched, cracked, or otherwise damaged.

FarmaSOS.com

SRS side airbags and curtain shield airbags



The SRS (Supplemental Restraint System) side airbags and curtain shield airbags are designed to provide further protection for the driver, front passenger and rear outside passengers in addition to the primary safety protection provided by the seat belts.

In response to a severe side impact, the SRS side airbags and curtain shield airbags work with the seat belts to help reduce injury by inflating. The SRS side airbags help reduce injuries mainly to the driver's or front passenger's chest and the SRS curtain shield airbags help reduce injuries mainly to the driver's, front passenger's or rear outside passenger's head.

The SRS side airbag and curtain shield airbag on the passenger side are activated even with no passenger in the front seat or rear outside seat.

The curtain shield airbags may activate even when the side airbags are not activated.

Always wear your seat belt properly.

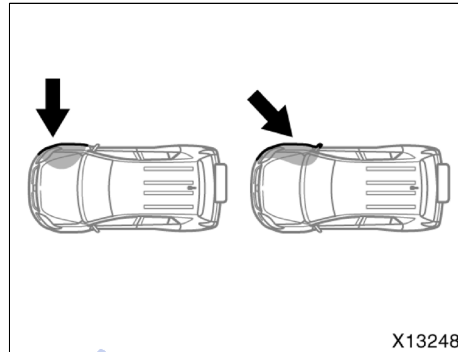
The front passenger airbag and SRS side airbag on passenger seat can be disabled only when installing a rear-facing child restraint system on the front passenger seat.

See "Passenger airbag manual on-off switch" on page 134 in this Section for detail.

CAUTION

- The SRS side airbag and curtain shield airbag system is designed only as a supplement to the primary protection of the driver, and front passenger and rear outside passenger side seat belt systems. To ensure maximum protection in an accident, the driver and all passengers in the vehicle must wear their seat belts properly. Wearing a seat belt properly during an accident reduces the chances of death or serious injury or being thrown out of the vehicle. For instructions and precautions concerning the seat belt system, see "Seat belts" on page 99 in this Section.
- Do not allow anyone to lean his/her head or any part of his/her body against the door or the area of the seat, front pillar, rear pillar or roof side rail from which the SRS side airbag and curtain shield airbag deploy even if he/she is a child seated in the child restraint system. It is dangerous if the SRS side airbag and curtain shield airbag inflate, and the impact of the deploying airbag could cause death or serious injury to the child. For instructions concerning the installation of a child restraint system, see "Child restraint" on page 137 in this Section.

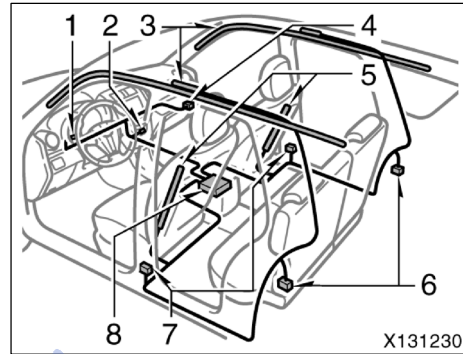
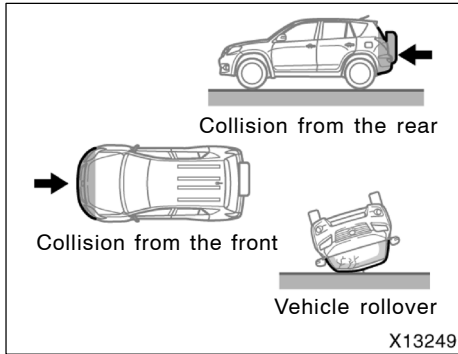
- Improperly seated and/or restrained infants and children can be killed or seriously injured by the deploying airbags. An infant or child who is too small to use a seat belt should be properly secured using a child restraint system. Toyota strongly recommends that all infants and children be placed in the rear seats of the vehicle and properly restrained. The rear seats are the safest for infants and children. For instructions concerning the installation of a child restraint system, see "Child restraint" on page 137 in this Section.
- Do not turn off the SRS side airbag on passenger seat manual on-off switch except when the rear-facing child restraint system is installed on the front passenger seat.
- When the passenger airbag manual on-off switch is turned off, the SRS side airbag on front passenger seat will not inflate in a collision and turning off the SRS side airbag on front passenger seat can reduce the occupant protection which your vehicle safety systems can provide to you in certain accidents and increase the likelihood of death or serious injuries.



The SRS side airbag and curtain shield airbag system may not activate if the vehicle is subjected to a collision from the side at certain angles, or a collision to the side of the vehicle body other than the passenger compartment as shown in the illustration.

The SRS side airbags and SRS curtain shield airbags will deploy in the event of an impact that exceeds the set threshold level (the level of force corresponding to the impact force produced by a 1500 kg [3300 lb.] vehicle colliding with the vehicle cabin from a direction perpendicular to the vehicle orientation at an approximate speed of 20 - 30 km/h [12 - 18 mph]).

Always wear your seat belts properly.



The SRS side airbags and curtain shield airbags are not generally designed to inflate if the vehicle is involved in a front or rear collision, if it rolls over, or if it is involved in a low-speed side collision.

The SRS side airbag and curtain shield airbag system consists mainly of the following components, and their locations are shown in the illustration.

1. SRS warning light
2. Front passenger airbag on-off indicator light
3. Curtain shield airbag modules (airbag and inflator)
4. Front passenger airbag manual on-off switch
5. Side airbag modules (airbag and inflator)
6. Curtain shield airbag sensors
7. Side and curtain shield airbag sensors
8. Airbag sensor assembly

The SRS side airbag and curtain shield airbag system is controlled by the airbag sensor assembly. The airbag sensor assembly consists of a safing sensor and airbag sensor.

In a severe side impact, the side and curtain shield airbag sensor and/or the curtain shield airbag sensor trigger(s) the side airbag inflators and/or the curtain shield airbag inflators. At this time a chemical reaction in the inflators quickly fills the airbags with non-toxic gas to help restrain the lateral motion of the occupants.

When the airbags inflate, they produce a fairly loud noise and release some smoke and residue along with non-toxic gas. This does not indicate a fire. This smoke may remain inside the vehicle for some time, and may cause some minor irritation to the eyes, skin or breathing. Be sure to wash off any residue as soon as possible to prevent any potential skin irritation with soap and water. If you can safely exit from the vehicle, you should do so immediately.

Deployment of the airbags happens in a fraction of a second, so the airbags must inflate with considerable force. While the system is designed to reduce serious injuries, it may also cause minor burns or abrasions and swelling.

Front seats as well as parts of the front and rear pillars, and roof side rail may be hot for several minutes, but the airbags themselves will not be hot. The airbags are designed to inflate only once.



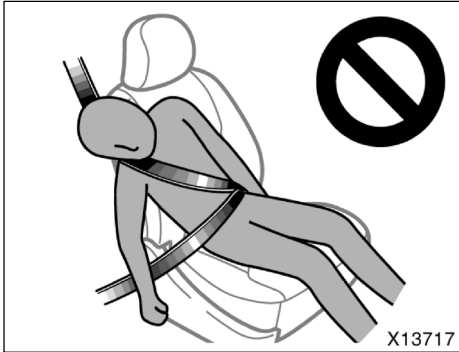
X13958

**CAUTION**

SRS side airbags and curtain shield airbags inflate with considerable force. To reduce the possibility of death or serious injury when they inflate, the driver, front passenger and rear outside passengers must:

- Wear their seat belts properly.
- Remain properly seated with their backs upright and against the seats at all times.

- Do not allow anyone to lean against the door when the vehicle is in use, since the side airbag and curtain shield airbag could inflate with considerable speed and force. Otherwise, he/she may be killed or seriously injured. Special care should be taken especially when you have a small child in the vehicle.
- Sit up straight and well back in the seat, distributing your weight evenly in the seat. Do not apply excessive weight to the outer side of the seats with a side airbag, and to the front pillar, rear pillar and roof side portion with a curtain shield airbag.

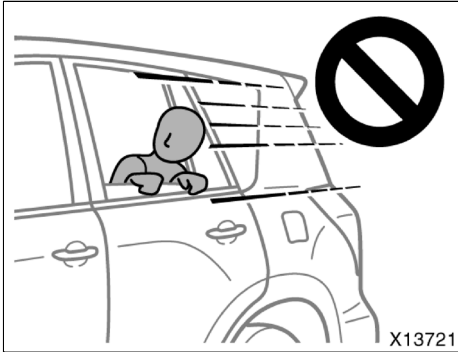


- Do not allow anyone to get his/her head closer to the area where the side airbag and curtain shield airbag inflate, since these airbags could inflate with considerable speed and force. Otherwise, he/she may be killed or seriously injured. Special care should be taken especially when you have a small child in the vehicle.

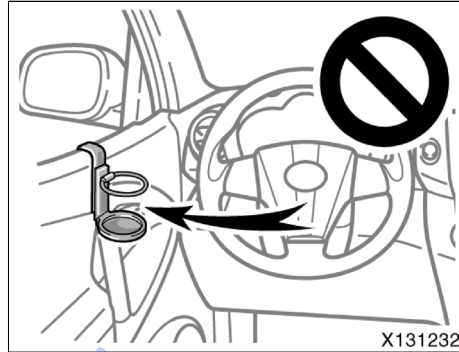
- Do not allow anyone to kneel on the passenger seat, facing the passenger's side door, since the side airbag and curtain shield airbag could inflate with considerable speed and force. Otherwise, he/she may be killed or seriously injured. Special care should be taken especially when you have a small child in the vehicle.

تلفن شبانه روزی: ۰۸۵-۸۸۶۳۰۳۱

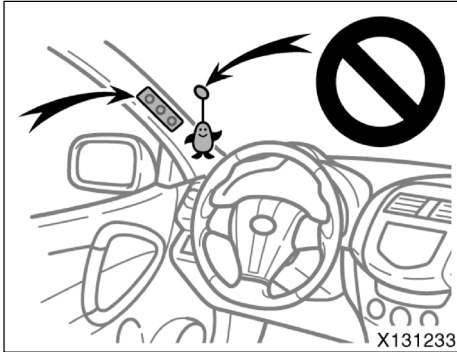
FarmaSOS.com



- Do not allow anyone to get his/her head or hands out of windows since the curtain shield airbags could inflate with considerable speed and force. Otherwise, he/she may be killed or seriously injured. Special care should be taken especially when you have a small child in the vehicle.



- Do not attach a cup holder or any other device or object on or around the door. When the side airbag inflates, the cup holder or any other device or object will be thrown with great force or the side airbag may not activate correctly, resulting in death or serious injury. Likewise, the driver and front passenger should not hold objects in their arms or on their knees.



- Do not attach a microphone or any other device or object near the area where the curtain shield airbag activates such as on the windshield glass, side door glass, front, center and roof side garnish. When the curtain shield airbag inflates, the microphone or other device or object will be thrown away with great force or the curtain shield airbag may not activate correctly, resulting in death or serious injury.
- Do not hook a hanger, heavy or sharp pointed objects on the coat hook. If the curtain shield airbag inflates, those items will be thrown away with great force or the curtain shield airbag may not activate correctly, resulting in death or serious injury. When you hang clothes, hang them on the coat hook directly.
- Do not use seat accessories which cover the parts where the side airbags inflate. Such accessories may prevent the side airbags from activating correctly, causing death or serious injury.

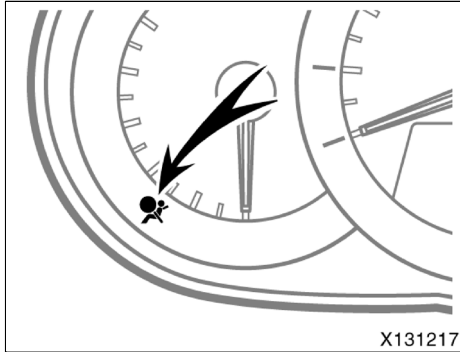
- Do not modify or replace the seats or upholstery of the seats with side airbags. Such changes may prevent the side airbag system from activating correctly, disable the system or cause the side airbags to inflate accidentally, resulting in death or serious injury.
- Do not disassemble or repair the front, center and roof side garnish containing the curtain shield airbags. Such changes may disable the system or cause the curtain shield airbags to inflate accidentally, resulting in death or serious injury.

Failure to follow these instructions can result in death or serious injury. Consult any authorized Toyota dealer or repairer, or another duly qualified and equipped professional, about any repair and modification.

NOTICE

Do not perform any of the following changes without consulting any authorized Toyota dealer or repairer, or another duly qualified and equipped professional. Such changes can interfere with proper operation of the SRS side airbag and curtain shield airbag system in some cases.

- ◆ *Installation of electronic devices such as an RF-transmitter, cassette tape player or compact disc player*
- ◆ *Modification of the suspension system*
- ◆ *Modification of the side structure of the passenger compartment*
- ◆ *Repairs made on or near the console or front seat*



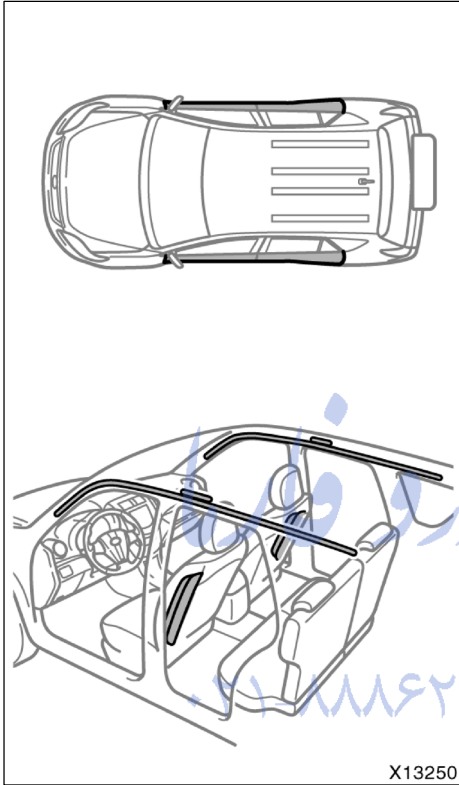
Vehicles without smart entry and start system—This indicator comes on when the engine switch is set at the “ON” position. It goes off after about 6 seconds. This means the SRS side airbags and curtain shield airbags are operating properly.

Vehicles with smart entry and start system—This indicator comes on when the “ENGINE START STOP” switch is set at IGNITION ON mode. It goes off after about 6 seconds. This means the SRS side airbags and curtain shield airbags are operating properly.

This warning light system monitors the airbag sensor assembly, front airbag sensors, side and curtain shield airbag sensors, curtain shield airbag sensors, driver’s seat position sensor, driver’s seat belt buckle switch, front passenger airbag manual on-off switch, front passenger airbag on-off indicator light, seat belt pretensioner assemblies, inflators, interconnecting wiring and power sources. (For details, see “Service reminder indicators and warning buzzers” on page 220 in Section 1-6.)

If either of the following conditions occurs, this indicates a malfunction of the airbags or seat belt pretensioners. Contact any authorized Toyota dealer or repairer, or another duly qualified and equipped professional, as soon as possible.

- Vehicles without smart entry and start system—The light does not come on when the engine switch is set at the “ON” position or remains on for more than 6 seconds.
- Vehicles with smart entry and start system—The light does not come on when the “ENGINE START STOP” switch is set at IGNITION ON mode or remains on for more than 6 seconds.
- The light comes on while driving.

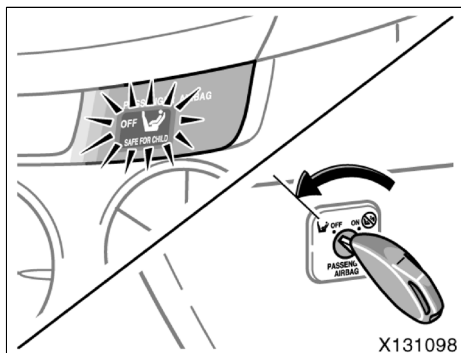


- The portion of the front, center and roof side garnish containing the curtain shield airbags inside (shaded in the illustration) is scratched, cracked, or otherwise damaged.

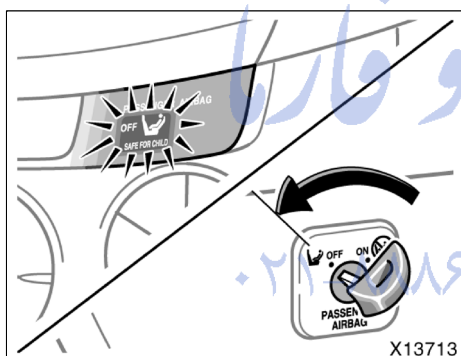
In the following cases, contact any authorized Toyota dealer or repairer, or another duly qualified and equipped professional, as soon as possible:

- Any of the SRS side airbags and curtain shield airbags have been inflated.
- The portion of the doors (shaded in the illustration) was involved in an accident that was not severe enough to cause the SRS side airbags and curtain shield airbags to inflate.
- The surface of the seats with the side airbag (shaded in the illustration) is scratched, cracked, or otherwise damaged.

Passenger airbag manual on-off switch



Without smart entry and start system



With smart entry and start system

This on-off switch is designed to disable the front passenger airbag and SRS side airbag on passenger seat only when installing a rear-facing child restraint system on the front passenger seat. The passenger airbag "ON" indicator light comes on when the airbags are operated. The front passenger airbag "OFF" indicator light comes on when the airbags are disabled.

Operate on-off switch as follows:

Vehicles without smart entry and start system—

Insert key into the keyhole.

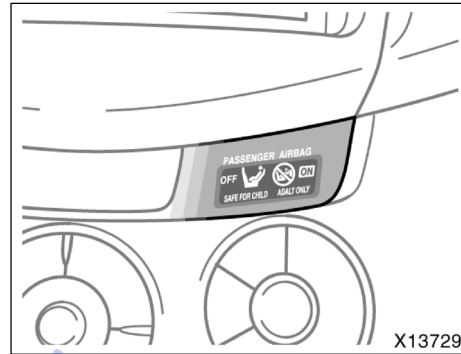
Before operating the front passenger airbag manual on-off switch, stop the vehicle and turn off the engine. Open the front passenger's door, insert the key into the keyhole and turn it. To turn the airbags, turn the key clockwise to the "ON" position. The front passenger airbag "ON" indicator light will come on to tell you that the airbags are operated when the engine switch is set at the "ON" position. To turn the airbags off, turn the key counterclockwise to the "OFF" position. The front passenger airbag "OFF" indicator light will come on to tell you that the airbags are disabled when the engine switch is set at the "ON" position. (For details about the indicator light, see the following descriptions.) Be sure to remove the key from the keyhole.

Vehicles with smart entry and start system—

Insert mechanical key into the keyhole.

Before operating the front passenger airbag manual on-off switch, stop the vehicle and turn off the engine. Open the front passenger's door, insert the key into the keyhole and turn it. To turn the airbags, turn the key clockwise to the "ON" position. The front passenger airbag "ON" indicator light will come on to tell you that the airbags are operated when the "ENGINE START STOP" switch is set at IGNITION ON mode. To turn the airbags off, turn the key counterclockwise to the "OFF" position. The front passenger airbag "OFF" indicator light will come on to tell you that the airbags are disabled when the "ENGINE START STOP" switch is set at IGNITION ON mode. (For details about the indicator light, see the following descriptions.) Be sure to remove the key from the keyhole.

Vehicles with curtain shield airbags—This system cannot turn off the curtain shield airbags.



Front passenger airbag on-off indicator light

Vehicles without smart entry and start system—These lights come on when the engine switch is set at the “ON” position. It goes off after several seconds. This means the passenger airbag manual on-off system is operating properly. After a few seconds, the passenger airbags “ON” indicator light will come on when the airbags are turn on. The passenger airbag “OFF” indicator light will come on when the airbags are turn off.

Vehicles with smart entry and start system—These lights come on when the “ENGINE START STOP” switch is set at IGNITION ON mode. It goes off after several seconds. This means the passenger airbag manual on-off system is operating properly. After a few seconds, the passenger airbags “ON” indicator light will come on when the airbags are turn on. The passenger airbag “OFF” indicator light will come on when the airbags are turn off.

The SRS warning light and the passenger airbag “OFF” indicator light will come on if there is a malfunction in the passenger airbag manual on-off switch.

Contact any authorized Toyota dealer or repairer, or another duly qualified and equipped professional if any of the following occur.

- Vehicles without smart entry and start system—The indicator lights do not come on when the engine switch is set at the “ON” position.
- Vehicles with smart entry and start system—The indicator lights do not come on when the “ENGINE START STOP” switch is set at IGNITION ON mode.
- The “OFF” indicator light remains on even if the airbag manual on-off switch is turned to the “ON” position.
- The key cylinder cannot be turned.
- The SRS warning light remains on.

 CAUTION

- **You must turn off the front passenger airbag and side airbag on the front passenger side when it is unavoidable to install the rear-facing child restraint system on the front passenger seat.**
- **Never install a rear-facing child restraint system on the front passenger seat with the airbags turned on. Otherwise, the force of the rapid inflation of the airbags could cause death or serious injury to the child.**
- **Do not turn off the front passenger airbag and SRS side airbags on passenger seat manual on-off switch except when the rear-facing child restraint system is installed on the front passenger seat.**
- **When the passenger airbag manual on-off switch is turned off, the front passenger airbag and SRS side airbag on front passenger seat will not inflate in a collision and turning off the front passenger airbag and SRS side airbag on front passenger seat can reduce the occupant protection which your vehicle safety systems can provide to you in certain accidents and increase the likelihood of serious injuries.**

For details, see “SRS driver airbag and front passenger airbag”, “SRS driver airbag, driver knee airbag and front passenger airbag” and “SRS side airbags and curtain shield airbags” on pages 109, 117 and 125 in this Section.

Child restraint— —Child restraint precautions

Toyota strongly urges the use of appropriate child restraint systems for children.

If a child is too large for a child restraint system, the child should sit in the rear seat and must be restrained using the vehicle's seat belt. See "Seat belts" on page 99 in this Section for details.

CAUTION

- For effective protection in automobile accidents and sudden stops, a child must be properly restrained, using a seat belt or child restraint system depending on the age and size of the child. Holding a child in your arms is not a substitute for a child restraint system. In an accident, the child can be crushed against the windshield, or between you and the vehicle's interior.
 - Toyota strongly urges use of a proper child restraint system which conforms to the size of the child, installed on the rear seat. According to accident statistics, the child is safer when properly restrained in the rear seat than in the front seat.
 - Never install a rear-facing child restraint system on the front seat with the airbag manual on-off switch in the "ON" position. In the event of an accident, the force of the rapid inflation of the front passenger airbag can cause death or serious injury to the child if the rear-facing child restraint system is installed on the front passenger seat.
- A forward-facing child restraint system should be allowed to be installed on the front passenger seat only when it is unavoidable. Always move the seat as far back as possible, because the front passenger airbag could inflate with considerable speed and force. Otherwise, the child may be killed or seriously injured.
 - On vehicles with side airbags and curtain shield airbags, do not allow the child to lean his/her head or any part of his/her body against the door or the area of the seat, front or center and roof side garnish from which the side airbags or curtain shield airbags deploy even if the child is seated in the child restraint system. It is dangerous if the side airbag and/or curtain shield airbag inflate, and the impact could cause death or serious injury to the child.
 - Make sure you have complied with all installation instructions provided by the child restraint manufacturer and that the system is properly secured. If it is not secured properly, it may cause death or serious injury to the child in the event of a sudden stop, sudden swerve or accident.
 - Do not allow children to play with the seat belt. If the belt becomes twisted around a child's neck, it may lead to choking or other serious injuries that could result in death. If this occurs and the buckle cannot be unfastened, scissors should be used to cut the belt.

—Child restraint system

A child restraint system for a small child or baby must itself be properly restrained on the seat with either the lap belt or the lap portion of the lap/shoulder belt. You must carefully consult the manufacturer's instructions which accompany the child restraint system.

To provide proper restraint, use a child restraint system following the manufacturer's instructions about the applicable child's age and size of the child restraint system.

Toyota recommends that you use a child restraint system which conforms to the regulation "ECE No.44".

Install the child restraint system correctly following the instructions provided by its manufacturer. General directions are also provided under the following illustrations.

The child restraint system should be installed on the rear seat. According to accident statistics, the child is safer when properly restrained in the rear seat than in the front seat.

Depending on the type of your child restraint system, you will need a locking clip to install a child restraint system properly.

If your child restraint system does not provide a locking clip, you can purchase the following item from any authorized Toyota dealer or repairer, or another duly qualified and equipped professional.

Locking clip for child restraint system
(Part No. 73119-22010)

 **CAUTION**

When the child restraint system is not in use:

- **Keep the child restraint system properly secured on the seat even if it is not in use. Do not store the restraint unsecured in the passenger compartment.**
- **If it is necessary to detach the child restraint system, remove it from the vehicle or store it securely in the luggage compartment. This will prevent it from injuring passengers in the event of a sudden stop, sudden swerve or accident.**

—Types of child restraint system

Child restraint systems are classified into the following 5 groups according to the regulation ECE No.44.

- Group 0: Up to 10 kg (22 lb.)
(0—9 months)
- Group 0+: Up to 13 kg (28 lb.)
(0—2 years)
- Group I: 9—18 kg (20 to 39 lb.)
(9 months—4 years)
- Group II: 15—25 kg (34 to 55 lb.)
(4 years—7 years)
- Group III: 22—36 kg (49 to 79 lb.)
(6 years—12 years)

In this owner's manual, the following popular 3 types of child restraint secured with the seat belts are explained.

- (A) Baby seat equal to Group 0 and 0+ of ECE No.44
- (B) Child seat equal to Group 0+ and I of ECE No.44
- (C) Junior seat . . . equal to Group II and III of ECE No.44

When purchasing, ask the manufacturer of the child restraint system which type of child restraint is appropriate for your child and vehicle.

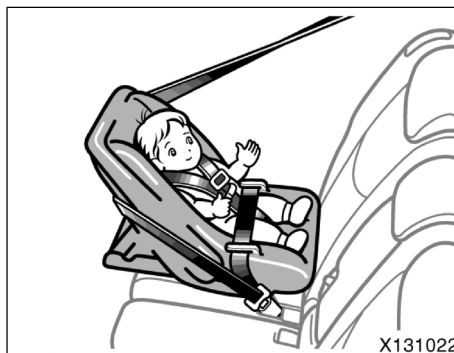
Referring to the following table, select the child restraint system which is suitable for each seating position.

Your vehicle has anchor brackets for securing the top strap of a child restraint system.

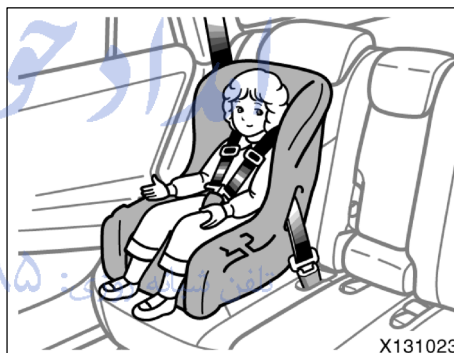
For instructions about how to use the anchor bracket, see “—Using a top strap” on page 161 in this Section.

An ISOFIX child restraint system approved for your vehicle may also be used. See “—Installation with ISOFIX rigid anchor (ISOFIX child restraint system)” on page 164 in this Section.

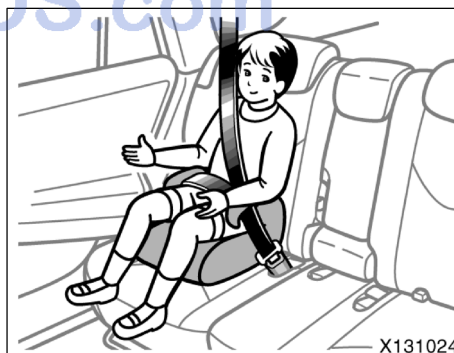
Install the child restraint system following the instructions provided by its manufacturer.



(A) Baby seat



(B) Child seat



(C) Junior seat

—Child restraint system suitability for various seating positions

Provided information in the table shows your child restraint system suitability for various seating positions.

Mass groups	Front passenger seat		Rear seat	
	Airbag manual on-off switch		Outside	Center
	ON	OFF		
0 Up to 10 kg (22 lb.) (0–9 months)	X Never put	U	U	L1
0+ Up to 13 kg (28 lb.) (0–2 years)	X Never put	U	U	L1
I 9 to 18 kg (20 to 39 lb.) (9 months–4 years)	Rear-facing— X Never put	U	U	L2
	Forward-facing— UF			
II, III 15 to 36 kg (34 to 79 lb.) (4–12 years)	UF	U	U	L3

Key of letters inserted in the above table:

- U: Suitable for “universal” category child restraint system approved for the use in this mass group
- UF: Suitable for forward-facing “universal” category child restraint system approved for the use in this mass group
- L1: Suitable for “TOYOTA BABYSAFE (0 to 13 kg [0 to 28 lb.])” approved for the use in this mass group
- L2: Suitable for “TOYOTA DUO+ (without ISOFIX, 9 to 18 kg [20 to 39 lb.])” approved for the use in this mass group
- L3: Suitable for “TOYOTA KID (15 to 36 kg [34 to 79 lb.])” approved for the use in this mass group
- X: Not suitable seat position for children in this mass group

—Child restraint system suitability for various seating positions (with ISOFIX rigid anchor)

Provided information in the table shows your child restraint system suitability for various seating positions.

Mass groups	Size class	Fixture	Vehicle ISOFIX positions
			Rear outside
Carrycot	F	ISO/L1	X
	G	ISO/L2	X
		(1)	X
Group 0 Up to 10 kg (22 lb.)	E	ISO/R1	X
		(1)	X
Group 0+ Up to 13 kg (28 lb.)	E	ISO/R1	X
	D	ISO/R2	X
	C	ISO/R3	X
		(1)	X
Group I 9 to 18 kg (20 to 39 lb.)	D	ISO/R2	X
	C	ISO/R3	X
	B	ISO/F2	IUF
	B1	ISO/F2X	IUF
	A	ISO/F3	IUF
		(1)	X
Group II 15 to 25 kg (34 to 55 lb.)		(1)	X
Group III 22 to 36 kg (49 to 79 lb.)		(1)	X

(1) For the CRS which do not carry the ISO/XX size class identification (A to G), for the applicable mass group, the car manufacturer shall indicate the vehicle specific ISOFIX child restraint system(s) recommended for each position.

Key letters inserted in the above table:

IUF: Suitable for ISOFIX forward child restraints systems of universal category approved for use in this mass group.

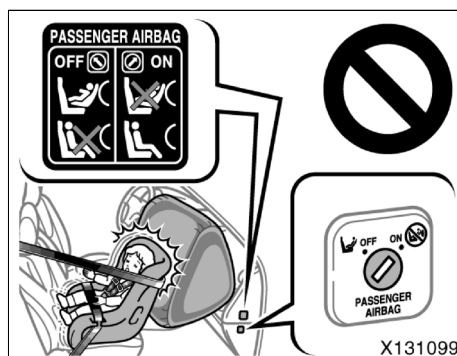
X: ISOFIX position not suitable for ISOFIX child restraint systems in this mass group and/or this size class.

The child restraint system mentioned in the table may not be available outside of the EU area.

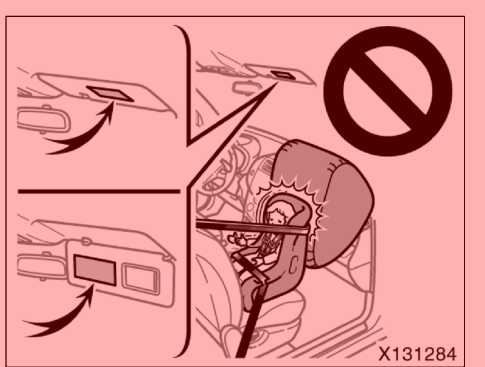
Other child restraint system which is different from the system mentioned in the table can be used, but the suitability of the systems must be carefully checked with the child restraint system manufacturer concerned and the seller of those seats.

**CAUTION**

The use of any child restraint system which is not suitable for this vehicle would not properly secure the infant or child. Therefore, they could be killed or seriously injured.



**CAUTION**

- **Rear-facing child restraint system:** Never install a rear-facing child restraint system on the front seat with the passenger airbag manual on-off switch in the "ON" position. In the event of an accident, force resulting from the rapid inflation of the front passenger airbag can cause death or serious injury to the child. A warning label on the passenger side instrument panel reminds you not to install a rear-facing child restraint system on the front passenger seat.
- **When installing a rear-facing child restraint system on the front passenger seat is unavoidable,** the front passenger airbag and side airbags on the front passenger seat must be disabled. Make sure that the passenger airbag manual on-off switch is in the "OFF" position, and that the passenger airbag "OFF" indicator light is on. (For details, see "Passenger airbag manual on-off switch" on page 134 in this Section.)



- There is a sticker on the passenger side of the instrument panel and a label on both sides of the passenger side sun visor, both indicating it is forbidden to attach a rear-facing child restraint system to the front passenger seat.
- Details of the label on the passenger side sun visor are shown in the illustrations below. The label which includes the language of your country is put.

Type A

 WARNING ADVARSEL VAROITUS AVISO ΠΡΟΣΟΧΗ VARNING	
	G DO NOT place a rear facing child seat on the front seat unless the passenger airbag is deactivated. DEATH OR SERIOUS INJURY can occur. See owner's manual.
	D Placer ALDRIG et bagudvendt barnesæde på forsædet, uden at passagersædets airbag er frakoblet. Risiko for DØD ELLER ALVORLIG PERSONSKADE . Se instruktionsbog.
	F ÄLÄ aseta etuistuimelle selkä menosuuntaan asennettavaa lasten turvaistuinta silloin, kun matkustajan turvatyynyä ei ole kytketty pois toiminnasta. Seurauksena voi olla KUOLEMA TAI VAKAVA LOUKKAANTUMINEN . Katso lisäohjeet omistajan käsikirjasta.
	P NÃO instale uma cadeirinha para crianças voltada para trás no banco da frente sem desactivar o airbag do passageiro. Risco de MORTE OU FERIMENTOS GRAVES . Consulte o manual do proprietário.
	G ΜΗΝ τοποθετείτε παιδικό κάθισμα οπίσθιου προσανατολισμού στο μπροστινό κάθισμα, εκτός αν είναι απενεργοποιημένος ο αερόσακος συνοδηγού. Ενδέχεται να προκληθεί ΘΑΝΑΤΟΣ Ή ΣΟΒΑΡΟΣ ΤΡΑΥΜΑΤΙΣΜΟΣ . Συμβουλευτείτε το βιβλίο οδηγιών χρήσης.
	S DU FÅR ALDRIG placera en bakåtvänd barnstol i framsätet, om inte passagerar krockkudden är avaktiverad. DÖDSFALL ELLER ALLVARLIGA PERSONSKADOR kan inträffa. Se instruktionsbok.

X131285t

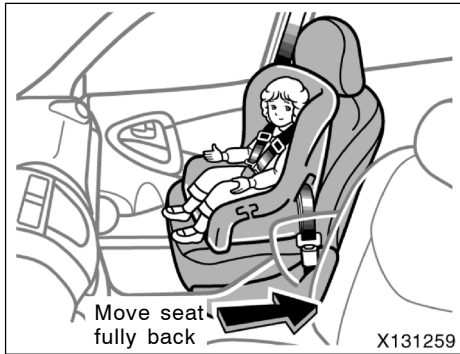
Type B

⚠ WARNING AVERTISSEMENT WARNUNG AVVISO ADVERTENCIA WAARSCHUWING	
	G DO NOT place a rear facing child seat on the front seat unless the passenger airbag is deactivated. DEATH OR SERIOUS INJURY can occur. See owner's manual.
	F NE JAMAIS placer un siège enfant positionné dos à la route sur le siège avant, sauf si l'airbag passager est désactivé. Risque de MORT OU BLESSURE GRAVE . Voir le manuel du propriétaire.
	D KEINEN rückwärtsgerichteten Kindersitz auf dem Vordersitz verwenden, außer der Beifahrer-Airbag ist deaktiviert. TOD ODER SCHWERE VERLETZUNGEN können die Folge sein. Siehe Betriebsanleitung.
	I NON posizionare il seggiolino per bambini rivolto in senso opposto a quello di marcia sul sedile anteriore se l'airbag del passeggero non è stato disattivato. Rischio di MORTE O LESIONI GRAVI . Consultare il manuale di uso e manutenzione.
	E NO coloque una silla para niños en sentido contrario al de la marcha del vehículo en el asiento del acompañante, excepto si el airbag del pasajero estuviera desactivado. Riesgo de MUERTE O HERIDAS GRAVES . Consulte el manual del propietario.
	N GEEN tegen de rijrichting in geplaatst kinderzitje op de voorstoel plaatsen, tenzij de passagiersairbag gedeactiveerd is. DOOD OF ZWARE VERWONDINGEN kunnen het gevolg zijn. Zie instructieboekje.

X131286t

تلفن شبانه روزی: ۰۲۱-۸۸۸۶۲۰۸۵

FarmaSOS.com



- Do not insert coins, clips, etc. in the buckle as this may prevent your child from properly latching the tab and buckle.
- If the seat belt does not function normally, it cannot protect your child from death or serious injury. Contact any authorized Toyota dealer or repairer, or another duly qualified and equipped professional, immediately. Do not install the child restraint system on the seat until the seat belt is fixed.

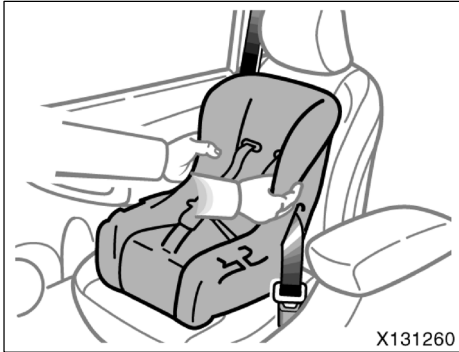
⚠ CAUTION

- A forward-facing child restraint system should be allowed to be installed on the front passenger seat only when it is unavoidable. Always move the seat as far back as possible, because the front passenger airbag could inflate with considerable speed and force. Otherwise, the child may be killed or seriously injured.
- On vehicles with side airbags and curtain shield airbags, do not allow the child to lean his/her head or any part of his/her body against the door or the area of the seat, front or center and roof side garnish from which the side airbags or curtain shield airbags deploy even if the child is seated in the child restraint system. It is dangerous if the side airbag and/or curtain shield airbag inflate, and the impact could cause death or serious injury to the child.
- After inserting the tab, make sure the tab and buckle are locked and that the lap and shoulder portions of the belt are not twisted.

امداد خود رانندگان

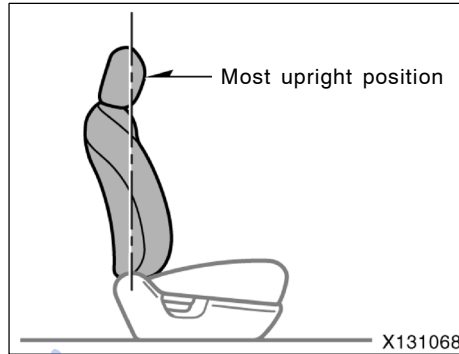
تلفن شبانه روزی: ۰۸۵-۸۸۸۲۰۸۵

SOS.com



X131260

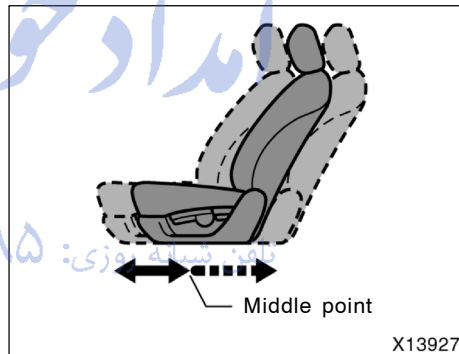
- Push and pull the child restraint system in different directions to be sure it is secure. Follow all the installation instructions provided by its manufacturer.



X131068

ILLUSTRATION 1

Adjust the front seatback and fix it at the most upright position.



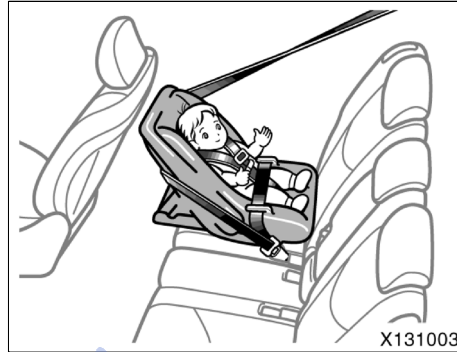
X13927

ILLUSTRATION 2**NOTE:**

- When you use a child restraint system in the front passenger seat, adjust the front seatback and fix it at the most upright position. (See ILLUSTRATION 1.)
- When using the “universal” category child restraint system in the rear seat, the front seat must be adjusted forward from the middle point and the seatback must be in the upright position. (See ILLUSTRATION 2.)

—Installation with seat belt (rear seat)

For further information, see “—Installation with seat belt (rear seat)” on page 148, “—Installation with seat belt (front seat)” on page 159 and “—Installation with ISO-FIX rigid anchor (ISOFIX child restraint system)” on page 164 in this Section.



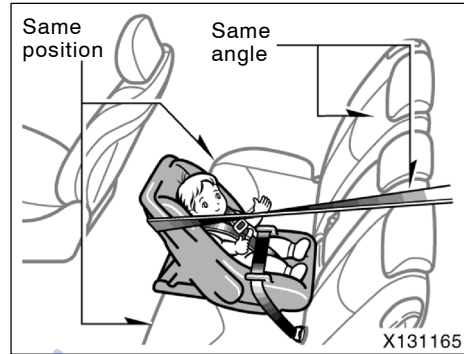
(A) BABY SEAT INSTALLATION

A baby seat must be used in rear-facing position only.

Depending on the type of your child restraint system, you will need a locking clip to install a child restraint system properly.

If your child restraint system does not provide a locking clip, you can purchase one at any authorized Toyota dealer or repairer, or another duly qualified and equipped professional. (See “—Child restraint system” on page 138 for details.)

FarmaSOS.com



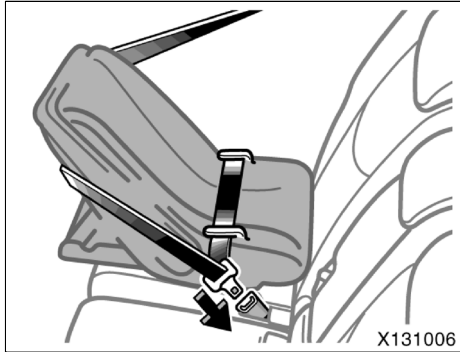
⚠ CAUTION

- Do not install a child restraint system on the rear seat if it interferes with the lock mechanism of the front seats. Otherwise, the child or front seat occupant(s) may be killed or seriously injured in the event of sudden braking, sudden swerving or an accident.
- If the driver's seat position does not allow sufficient space for safe installation, install the child restraint system on the rear right seat (left-hand drive vehicle) or rear left seat (right-hand drive vehicle). Child restraint system installed on the rear seat should not contact the front seatbacks.

- When installing a child restraint system in the rear center position, adjust both seat cushions to the rear most position and align all seatbacks at the same angle. Otherwise, the child restraint system cannot be securely restrained and this may cause death or serious injuries in the event of sudden braking, sudden swerving or an accident.

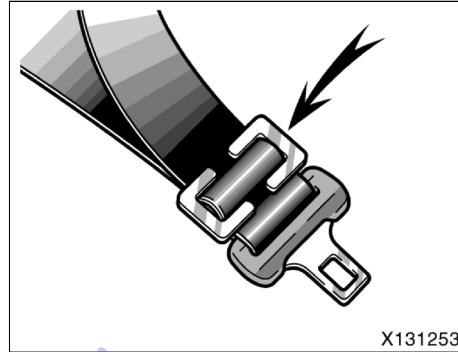
تلفن شبانه روزی: ۸۵

OS.com



To install the baby seat:

Run the lap and shoulder belt through or around the baby seat and insert the tab into the buckle until a click is heard. Make sure that the belt is not twisted. Keep the lap portion of the belt tight. Follow the instructions provided by the manufacturer of the baby seat and install the baby seat securely.



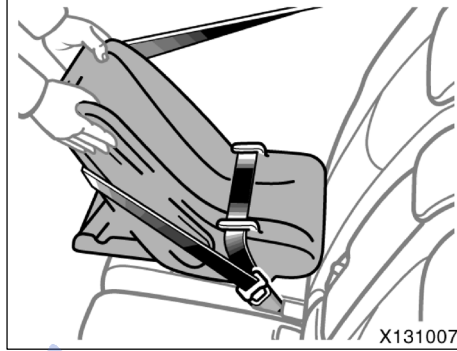
Depending on the type of your child restraint system, you will need a locking clip to install a child restraint system properly. If your child restraint system does not provide a locking clip, you can purchase one at any authorized Toyota dealer or repairer, or another duly qualified and equipped professional. (See "—Child restraint system" on page 138 for details.)

تلفن شبانه روزی: ۰۲۱-۸۸۸۶۲۰۸۵

FarmaSOS.com

⚠ CAUTION

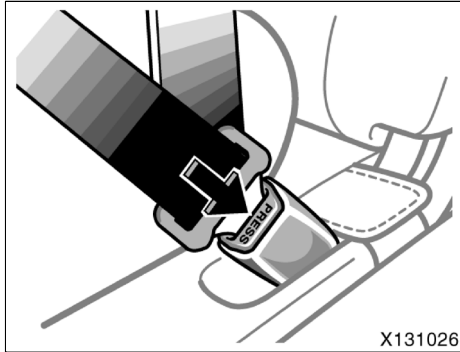
- After inserting the tab, make sure the tab and buckle are locked and that the lap and shoulder portions of the belt is not twisted.
- Do not insert coins, clips, etc. in the buckle as this may prevent your child from properly latching the tab and buckle.
- If the seat belt does not function normally, it cannot protect your child from death or serious injury. Contact any authorized Toyota dealer or repairer, or another duly qualified and equipped professional, immediately. Do not install the child restraint system on the seat until the seat belt is fixed.
- Always remove the locking clip when the child restraint system is not installed.



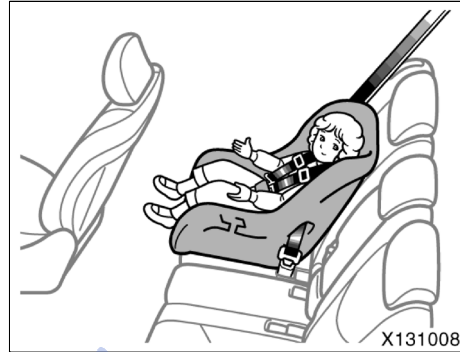
- Push and pull the child restraint system in different directions to be sure it is secure. Follow all the installation instructions provided by its manufacturer.

تلفن شبانه روزی: ۰۲۱-۸۸۶۲۰۸۵

FarmaSOS.com



To remove the baby seat:
Press the buckle release button and allow the belt to retract completely.

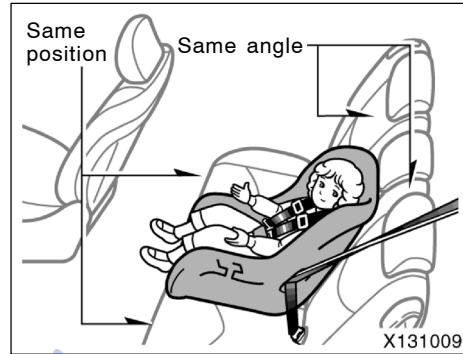


(B) CHILD SEAT INSTALLATION

A child seat must be used in forward-facing or rear-facing position depending on the age and size of the child. When installing, follow the manufacturer's instructions about the applicable age and size of the child as well as directions for installing the child restraint system.

Depending on the type of your child restraint system, you will need a locking clip to install a child restraint system properly.

If your child restraint system does not provide a locking clip, you can purchase one at any authorized Toyota dealer or repairer, or another duly qualified and equipped professional. (See "—Child restraint system" on page 138 for details.)



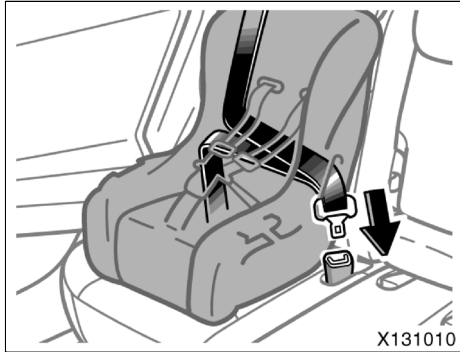
⚠ CAUTION

- Do not install a child restraint system on the rear seat if it interferes with the lock mechanism of the front seats. Otherwise, the child or front seat occupant(s) may be killed or seriously injured in the event of sudden braking, sudden swerving or an accident.
- If the driver's seat position does not allow sufficient space for safe installation, install the child restraint system on the rear right seat (left-hand drive vehicle) or rear left seat (right-hand drive vehicle). Child restraint system installed on the rear seat should not contact the front seatbacks.

- When installing a child restraint system in the rear center position, adjust both seat cushions to the rear most position and align all seatbacks at the same angle. Otherwise, the child restraint system cannot be securely restrained and this may cause death or serious injuries in the event of sudden braking, sudden swerving or an accident.

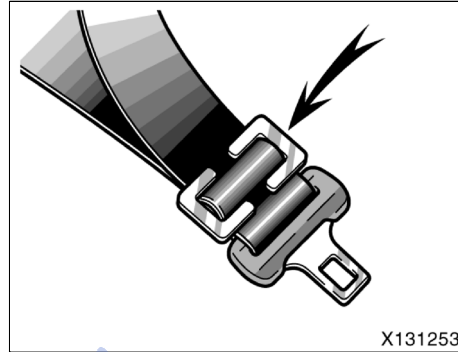
تلفن شبانه روزی: ۸۵

OS.com



To install the child seat:

Run the lap and shoulder belt through or around the child seat and insert the tab into the buckle until a click is heard. Make sure that the belt is not twisted. Keep the lap portion of the belt tight. Follow the instructions provided by the manufacturer of the child seat and install the child seat securely.



Depending on the type of your child restraint system, you will need a locking clip to install a child restraint system properly.

If your child restraint system does not provide a locking clip, you can purchase one at any authorized Toyota dealer or repairer, or another duly qualified and equipped professional. (See "—Child restraint system" on page 138 for details.)

تلفن شبانه روزی: ۰۲۱-۸۸۸۶۲۰۸۵

FarmaSOS.com

⚠ CAUTION

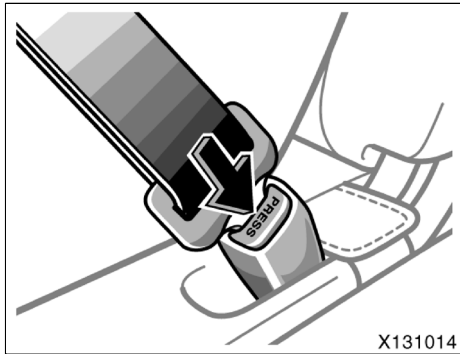
- After inserting the tab, make sure the tab and buckle are locked and that the lap and shoulder portions of the belt is not twisted.
- Do not insert coins, clips, etc. in the buckle as this may prevent your child from properly latching the tab and buckle.
- If the seat belt does not function normally, it cannot protect your child from death or serious injury. Contact any authorized Toyota dealer or repairer, or another duly qualified and equipped professional, immediately. Do not install the child restraint system on the seat until the seat belt is fixed.
- Always remove the locking clip when the child restraint system is not installed.



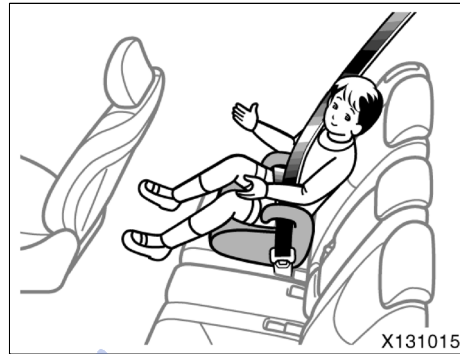
- Push and pull the child restraint system in different directions to be sure it is secure. Follow all the installation instructions provided by its manufacturer.

تلفن شبانه روزی: ۰۲۱-۸۸۶۲۰۸۵

FarmaSOS.com



To remove the child seat:
Press the buckle release button and allow
the belt to retract completely.

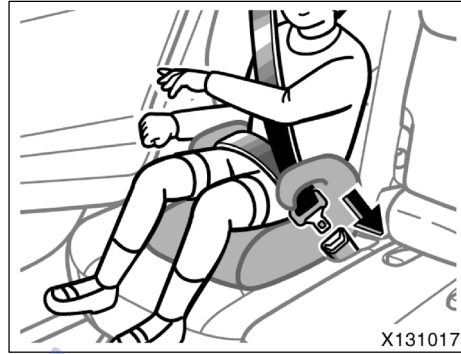
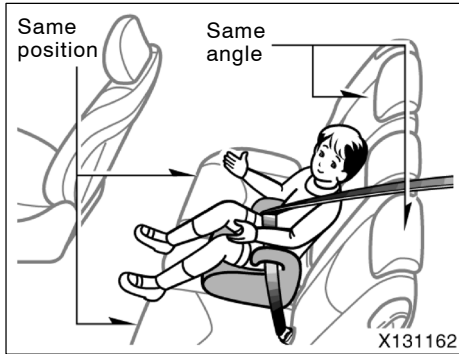


(C) JUNIOR SEAT INSTALLATION

A junior seat must be used in forward-facing position only.

تلفن شبانه روزی: ۰۲۱-۸۸۸۶۲۰۸۵

FarmaSOS.com



CAUTION

When installing a child restraint system in the rear center position, adjust both seat cushions to the same position and align all seatbacks at the same angle. Otherwise, the child restraint system cannot be securely restrained and this may cause death or serious injuries in the event of sudden braking, sudden swerving or an accident.

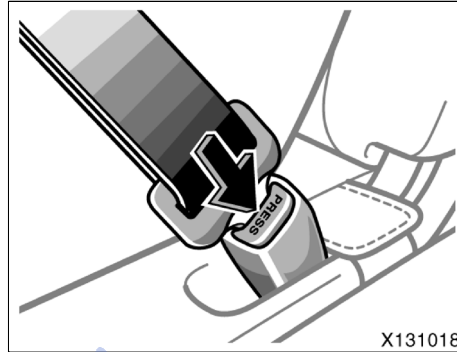
To install the junior seat:

Sit the child on a junior seat. Run the lap and shoulder belt through or around the junior seat and across the child following the instructions provided by its manufacturer and insert the tab into the buckle taking care not to twist the belt.

Make sure the shoulder belt is correctly across the child's shoulder and that the lap belt is positioned as low as possible on the child's hips. See "Seat belts" on page 99 for details.

 CAUTION

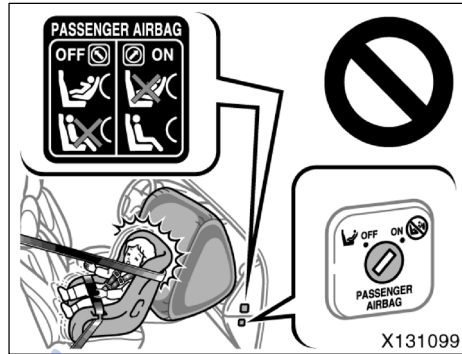
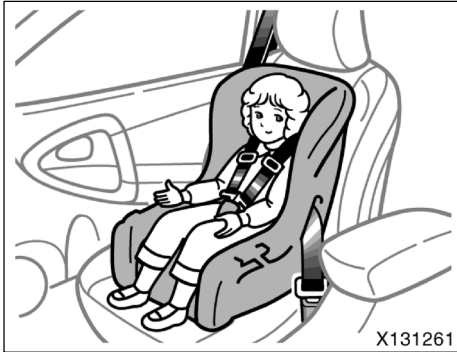
- Always make sure the shoulder belt is positioned across the center of child's shoulder. The belt should be kept away from child's neck, but not falling off child's shoulder. Otherwise, the child may be killed or seriously injured in the event of sudden braking, sudden swerving or an accident.
- Both high-positioned lap belts and loose-fitting belts could cause death or serious injuries due to sliding under the lap belt during a collision or other unintended event. Keep the lap belt positioned as low on a child's hips as possible.
- For child's safety, do not place the shoulder belt under child's arm.
- After inserting the tab, make sure the tab and buckle are locked and that the lap and shoulder portions of the belt are not twisted.
- Do not insert coins, clips, etc. in the buckle as this may prevent your child from properly latching the tab and buckle.
- If the seat belt does not function normally, it cannot protect your child from death or serious injury. Contact any authorized Toyota dealer or repairer, or another duly qualified and equipped professional, immediately. Do not install the child restraint system on the seat until the seat belt is fixed.



To remove the junior seat:

Press the buckle release button and allow the belt to retract.

—Installation with seat belt (front seat)



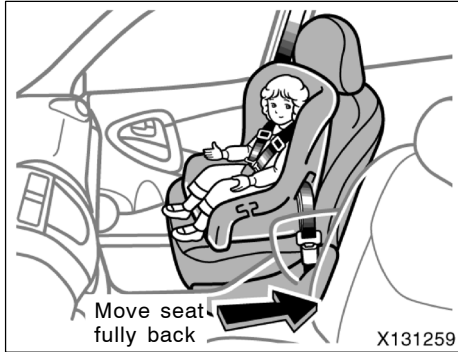
When installing a child restraint system, follow the instructions provided by its manufacturer.

Depending on the type of your child restraint system, you will need a locking clip to install a child restraint system properly.

If your child restraint system does not provide a locking clip, you can purchase one at any authorized Toyota dealer or repairer, or another duly qualified and equipped professional. (See “—Child restraint system” on page 138 for details.)

⚠ CAUTION

- **Rear-facing child restraint system:** Never install a rear-facing child restraint system on the front seat with the passenger airbag manual on-off switch in the “ON” position. In the event of an accident, force resulting from the rapid inflation of the front passenger airbag can cause death or serious injury to the child. A warning label on the passenger side instrument panel reminds you not to install a rear-facing child restraint system on the front passenger seat.
- When installing a rear-facing child restraint system on the front passenger seat is unavoidable, the front passenger airbag and side airbags on the front passenger seat must be disabled. Make sure that the passenger airbag manual on-off switch is in the “OFF” position, and that the passenger airbag “OFF” indicator light is on. (For details, see “Passenger airbag manual on-off switch” on page 134 in this Section.)



- Do not insert coins, clips, etc. in the buckle as this may prevent your child from properly latching the tab and buckle.
- If the seat belt does not function normally, it cannot protect your child from death or serious injury. Contact any authorized Toyota dealer or repairer, or another duly qualified and equipped professional, immediately. Do not install the child restraint system on the seat until the seat belt is fixed.

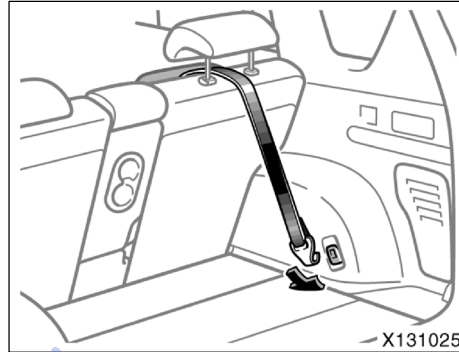
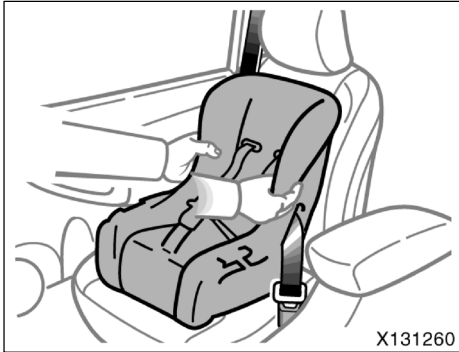
- A forward-facing child restraint system should be allowed to be installed on the front passenger seat only when it is unavoidable. Always move the seat as far back as possible, because the front passenger airbag could inflate with considerable speed and force. Otherwise, the child may be killed or seriously injured.
- On vehicles with side airbags and curtain shield airbags, do not allow the child to lean his/her head or any part of his/her body against the door or the area of the seat, front or center and roof side garnish from which the side airbags or curtain shield airbags deploy even if the child is seated in the child restraint system. It is dangerous if the side airbag and/or curtain shield airbag inflate, and the impact could cause death or serious injury to the child.
- After inserting the tab, make sure the tab and buckle are locked and that the lap and shoulder portions of the belt are not twisted.

امداد خود

تلفن شبانه روزی: ۰۸۵

SOS.com

—Using a top strap

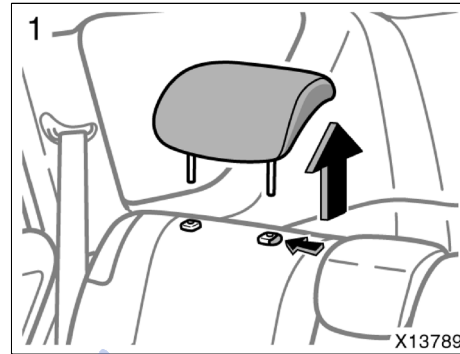
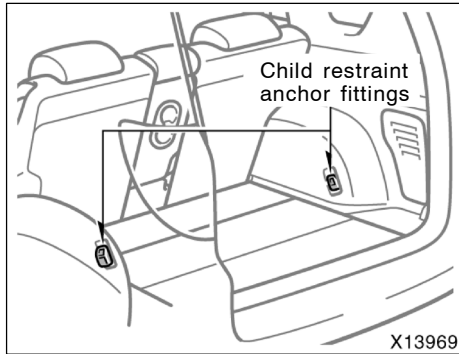


- Push and pull the child restraint system in different directions to be sure it is secure. Follow all the installation instructions provided by its manufacturer.

Follow the procedure below for a child restraint system that requires the use of a top strap.

تلفن شبانه روزی: ۰۲۱-۸۸۸۶۲۰۸۵

FarmaSOS.com



Use the anchor brackets on the rear side trim as shown above to attach the top strap.

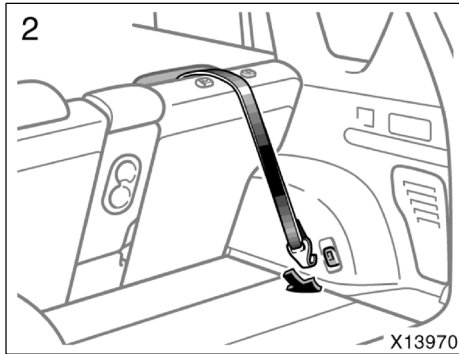
Anchor brackets are installed for both outside rear seating positions.

TO USE THE ANCHOR BRACKET:

1. Remove the head restraint.

امداد خودرو فارما
تلفن شبانه روزی: ۰۲۱-۸۸۶۲۰۸۵

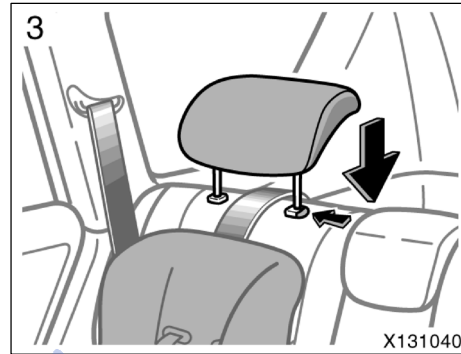
FarmaSOS.com



2. Fix the child restraint system with the seat belt.

Latch the hook onto the anchor bracket and tighten the top strap.

For instructions to install the child restraint system, see "Child restraint" on page 137 in this Section.



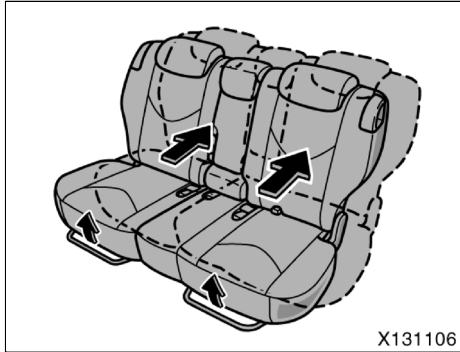
3. Insert the head restraint and push it down to the lock position.

⚠ CAUTION

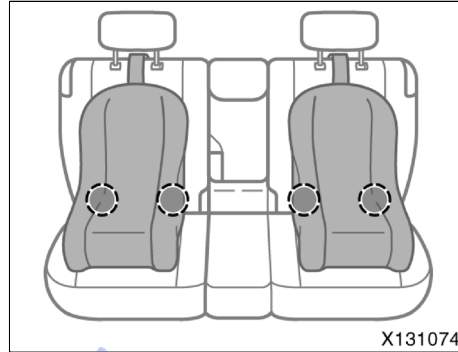
Make sure the top strap is securely latched, and check that the child restraint system is secure by pushing and pulling it in different directions. Follow all the installation instructions provided by its manufacturer.

FarmasOS.com

—Installation with ISOFIX
rigid anchor (ISOFIX child
restraint system)



After installing the child restraint system, move the rear seat to the rear-most lock position to prevent the child restraint system from interfering with the front seat.



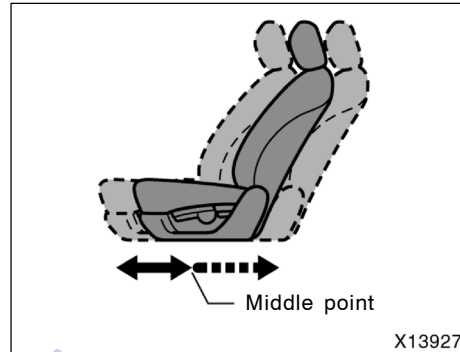
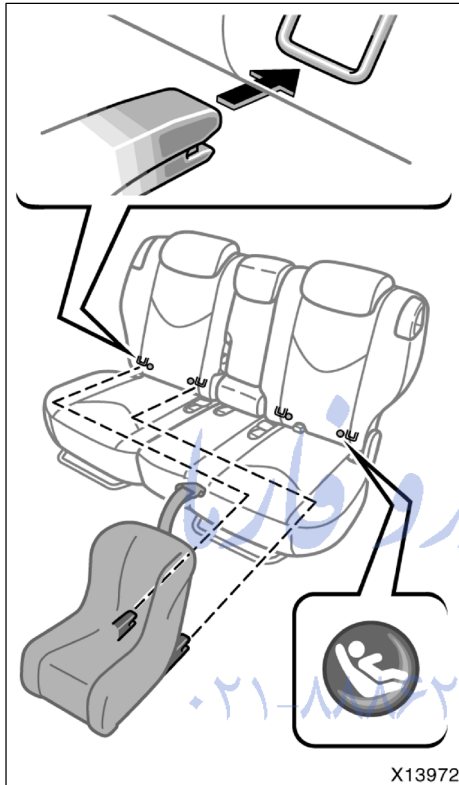
The exclusive fixing bars for child restraint systems using ISO specifications are installed in the rear seat.

The bars are installed in the gap between the seat cushion and seatback of both outside rear seating position.

Child restraint systems using quasi-ISO specifications in the rear seat can be fixed to these exclusive fixing bars. In this case, it is not necessary to fix the child restraint system with a seat belt.

NOTICE

Ask the manufacturer of the child restraint system if the child restraint system is approved for this model.

**NOTE:**

When using the “universal” category child restraint system in the rear seat the front seat must be adjusted forward from the middle point and the seatback must be in the upright position.

CHILD RESTRAINT SYSTEM INSTALLATION

1. Widen the gap between the seat cushion and seatback slightly and confirm the position of the exclusive fixing bars near the buttons on the seatback.
2. Move the rear seat to the rear-most position. If necessary, also move the front seats forward.
3. Latch the buckles onto the anchors.

If your child restraint has a top strap, it should be anchored. (For the installation of the top strap, see “—Using a top strap” on page 161 in this Section.)

For installation details, refer to the instruction manual equipped with each product.

**CAUTION**

- When using the exclusive fixing bars for a child restraint system, be sure that there are no irregular objects around the bars or that the seat belt is not caught.
- Push and pull the child restraint system in different directions to be sure it is secure. Follow all the installation instructions provided by its manufacturer.
- When using the exclusive fixing bars for a child restraint system, ensure that the seat is moved to the rear-most position, with the seatback close to the child restraint system.
- After securing the child restraint system, never slide or recline the seat.
- Do not install a child restraint system on the rear seat if it interferes with the lock mechanism of the front seats. Otherwise, the child or front seat occupant(s) may be killed or seriously injured in the event of sudden braking, sudden swerving or an accident.

Section 1-4 OPERATION OF INSTRUMENTS AND CONTROLS

Steering wheel and Mirrors

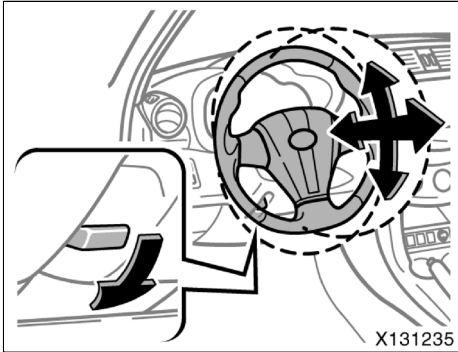
- Tilt and telescopic steering wheel 168
- Outside rear view mirrors 168
- Anti-glare inside rear view mirror 171
- Auto anti-glare inside rear view mirror 171
- Vanity mirrors 173

امداد خودرو فارما

تلفن شبانه روزی: ۰۲۱-۸۸۸۶۲۰۸۵

FarmaSOS.com

Tilt and telescopic steering wheel



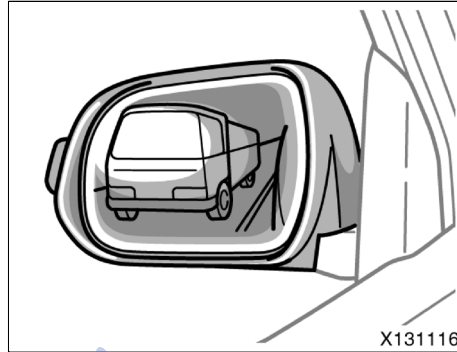
To adjust the steering wheel position, push down the lock release lever. Then tilt the steering wheel to the desired angle, push or pull it to the desired steering column length and return the lever to its original position.



CAUTION

- Do not adjust the steering wheel while the vehicle is moving. Doing so may cause the driver to mishandle the vehicle and an accident may occur resulting in death or serious injuries.
- After adjusting the steering wheel, try moving it up and down or forward and rearward to make sure it is locked in position.

Outside rear view mirrors—



Adjust the mirror so that you can just see the side of your vehicle in the mirror.

When you push the rear window defogger switch, the heater panels in the outside rear view mirrors will quickly clear the mirror surface. (See “Rear window and outside rear view mirror defoggers” on page 194 in Section 1–5.)

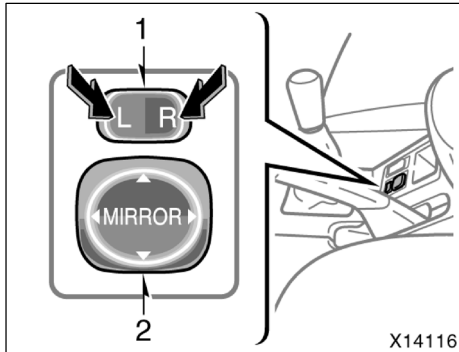
On some models, the outside rear view mirrors have been coated to produce a “rain clearing” effect. This coating causes the raindrops to spread, clearing the driver’s rear view when it rains. (See “Rain clearing mirrors” on page 493 in Section 5.)



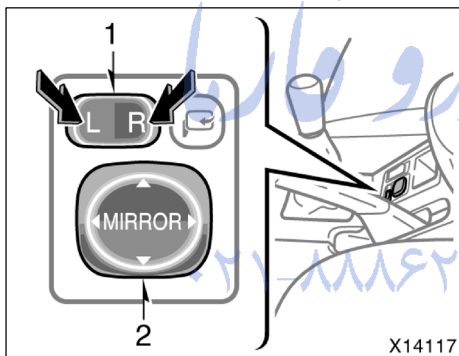
CAUTION

- Do not adjust the mirror while the vehicle is moving. Doing so may cause the driver to mishandle the vehicle and an accident may occur resulting in death or serious injuries.
- Since the mirror surfaces can get hot, do not touch them when the defogger switch is on.

—Power rear view mirror control



Type A



Type B

NOTICE

If ice should jam the mirror, do not operate the control or scrape the mirror face. Use a spray de-icer to free the mirror.

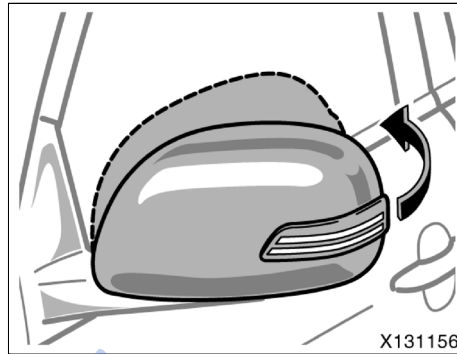
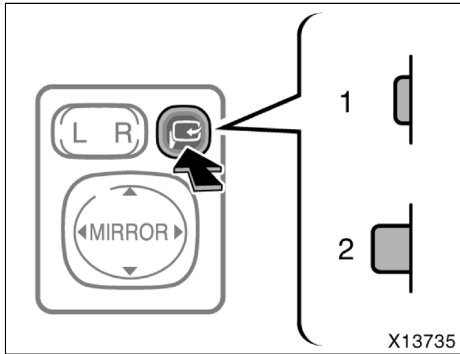
To adjust a mirror, use the switches.

1. Master switch—To select the mirror to be adjusted
Push the “L” (left) or “R” (right) switch.
2. Control switch—To move the mirror
Push the switch in the desired direction.

Vehicles without smart entry and start system—Mirrors can be adjusted when the engine switch is set at the “ACC” or “ON” position.

Vehicles with smart entry and start system—Mirrors can be adjusted when the “ENGINE START STOP” switch is set at ACCESSORY or IGNITION ON mode.

—Folding rear view mirrors



FOLDING MIRRORS (type B only)

To fold mirrors for parking in restricted areas, push the mirror folding button.

Vehicles without smart entry and start system—The engine switch must be set at the “ACC” or “ON” position.

Vehicles with smart entry and start system—The “ENGINE START STOP” switch must be set at ACCESSORY or IGNITION ON mode.

Position 1—To fold the mirrors
Position 2—To return the mirrors back to their original positions

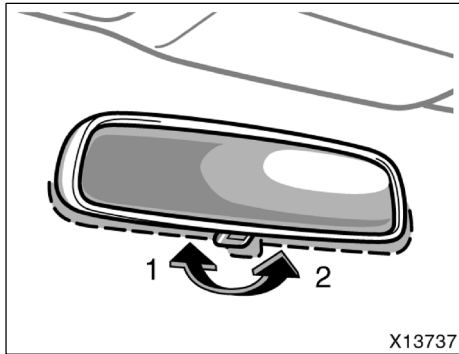
The rear view mirrors can be folded backward for parking in compact areas.

To fold the rear view mirror, push backward.

CAUTION
<p>Do not drive with the mirrors folded backward. Both the driver and passenger side rear view mirrors must be extended and properly adjusted before driving.</p>

CAUTION
<ul style="list-style-type: none"> ● To avoid personal injury and any mirror malfunction, do not touch the mirror while it is moving. ● Do not drive with the mirrors folded backward. Both the driver and passenger side rear view mirrors must be extended and properly adjusted before driving.

Anti-glare inside rear view mirror



X13737

Adjust the mirror so that you can just see the rear of your vehicle in the mirror.

To reduce glare from the headlights of the vehicle behind you during night driving, operate the lever on the lower edge of the mirror.

Daylight driving—Lever at position 1

The reflection in the mirror has greater clarity at this position.

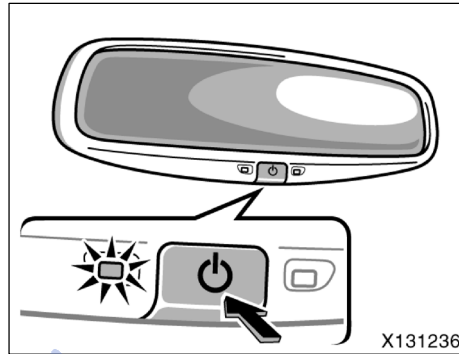
Night driving—Lever at position 2

Remember that by reducing glare you also lose some rear view clarity.

CAUTION

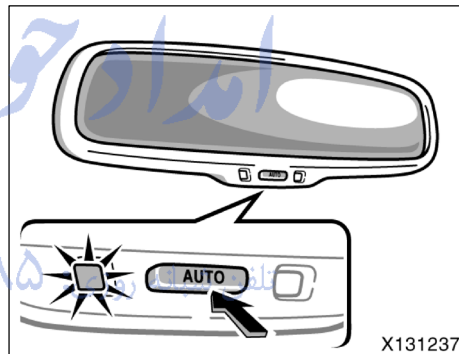
Do not adjust the mirror while the vehicle is moving. Doing so may cause the driver to mishandle the vehicle and an accident may occur resulting in death or serious injuries.

Auto anti-glare inside rear view mirror



X131236

Type A



X131237

Type B

Adjust the mirror so that you can just see the rear of your vehicle in the mirror.

This mirror is equipped with auto anti-glare function. The function is designed to reduce glare from the headlights of the vehicle behind you during night driving.

Vehicles without smart entry and start system—When the engine switch is set at the “ON” position, the inside rear view mirror always turns on in the automatic function mode.

Vehicles with smart entry and start system—When the “ENGINE START STOP” switch is set at IGNITION ON mode, the inside rear view mirror always turns on in the automatic function mode.

The indicator illuminates to show you that the function is on.

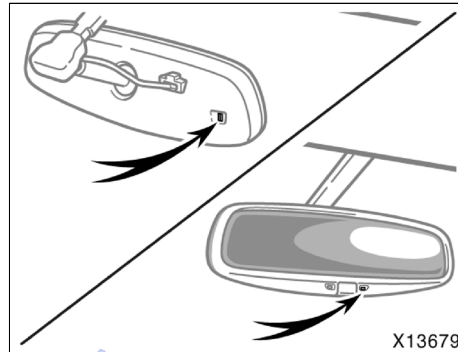
In automatic function mode, if the mirror detects light from the headlights of the vehicle behind you, the mirror surface darkens slightly to reduce the reflected light.

To turn off the automatic function, press the switch.

To turn on the automatic function again, press the switch.

Adjust it before driving so that the rear view is optimized.

When the inside air temperature is low, it may take a little longer for the mirror to darken in response to the detection of headlights.



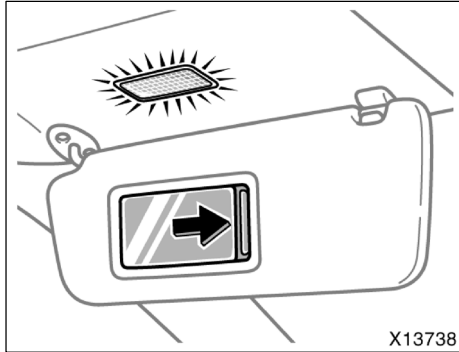
To ensure correct functioning of anti-glare mirror sensors located on both sides of the mirror, do not touch or cover the sensors with your finger or a piece of cloth, etc.

**CAUTION**

Do not adjust the mirror while the vehicle is moving. Doing so may cause the driver to mishandle the vehicle and an accident may occur resulting in death or serious injuries.

تلفن شبانه روزی: ۰۸۵-۸۸۸۶۲

FarmasOS.com

Vanity mirrors

To use the vanity mirror, swing down the sun visor and slide the cover.

The vanity light comes on when you slide the cover.

امداد خودرو فارما
تلفن شبانه روزی: ۰۲۱-۸۸۸۶۲۰۸۵

FarmaSOS.com

امداد خودرو فارما

تلفن شبانه روزی: ۰۲۱-۸۸۸۶۲۰۸۵

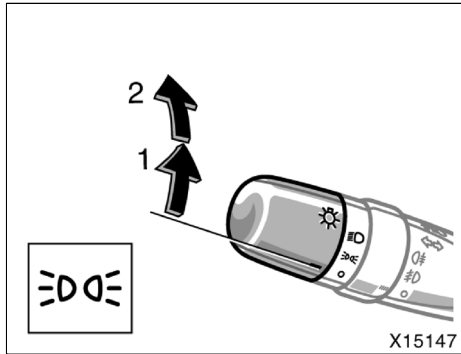
FarmaSOS.com

Section 1-5 OPERATION OF INSTRUMENTS AND CONTROLS

Lights, Wipers and Defogger

- Headlights and turn signals 176
- Headlight beam level control 181
- Emergency flashers 182
- Instrument panel light control 182
- Front and rear fog lights 183
- Rear fog lights 183
- Interior light 184
- Personal lights 184
- Luggage compartment light 185
- Illuminated entry system 186
- Windshield wipers and washer 188
- Rear window wiper and washer 192
- Headlight cleaner 193
- Windshield wiper de-icer 193
- Rear window and outside rear view
mirror defoggers 194

Headlights and turn signals (without automatic light control system)



HEADLIGHTS

To turn on the following lights: Twist the headlight/turn signal lever knob.

Position 1—Parking, tail, license plate and instrument panel lights

The tail light indicator lights up in the instrument cluster.

Position 2—Headlights and all of the above

However, on some models, even with the headlight switch off all the lights listed above (except the instrument panel light) turn on when the engine is started. In this case, the headlights are on low beam.

Adjust the headlight beam level before turning on the headlights. (See “Headlight beam level control” on page 181 in this Section.)

Automatic light cut off system

When the headlight switch is on, the headlights and front fog lights automatically turn off with the engine turned off.

Vehicles without smart entry and start system—To turn on the lights again, set the engine switch at the “ON” position or turn the headlight switch on. If you are going to park for over one week, make sure the headlight switch is off.

Vehicles with smart entry and start system—To turn on the lights again, set the “ENGINE START STOP” switch at IGNITION ON mode or turn the headlight switch on. If you are going to park for over one week, make sure the headlight switch is off.

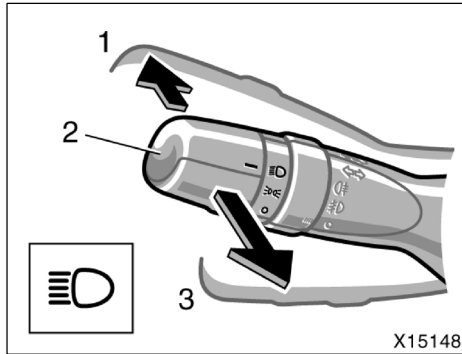
Light reminder buzzer

Vehicles without smart entry and start system—A buzzer will remind you to turn the lights off when the driver’s door is opened if you remove the key with the headlight switch on.

Vehicles with smart entry and start system—A buzzer will remind you to turn the lights off when the driver’s door is opened if you turn off the engine with headlight switch on.

NOTICE

To prevent the battery from being discharged, do not leave the lights on for a long period when the engine is not running.

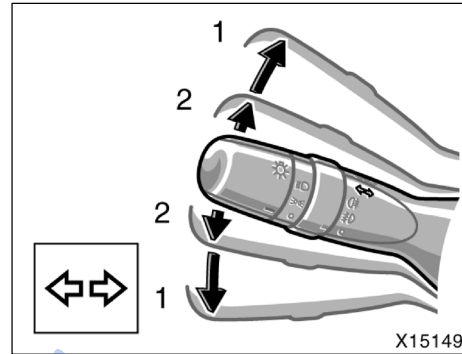


High-Low beams—For high beams, turn the headlights on and push the lever away from you (position 1). Pull the lever toward you (position 2) for low beams.

The headlight high beam indicator light (blue light) on the instrument panel will tell you that the high beams are on.

Flashing the high beam headlights (position 3)—Pull the lever all the way back. The high beam headlights turn off when you release the lever.

You can flash the high beam headlights even when the headlight switch is off.



TURN SIGNALS

To signal a turn, push the headlight/turn signal lever up or down to position 1.

Vehicles without smart entry and start system—The engine switch must be set at the “ON” position.

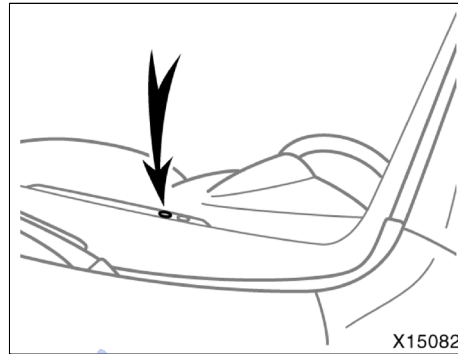
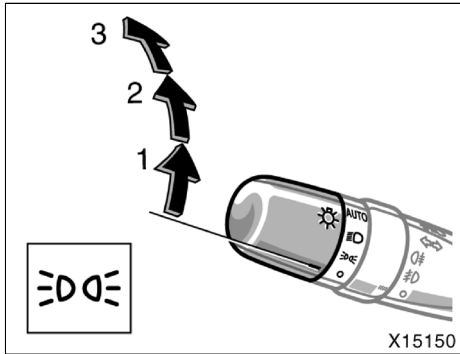
Vehicles with smart entry and start system—The “ENGINE START STOP” switch must be set at IGNITION ON mode.

The lever automatically returns after you make a turn, but you may have to return it by hand after you change lanes.

To signal a lane change, move the lever up or down to the pressure point (position 2) and hold it.

If the turn signal indicator lights (green lights) on the instrument panel flash faster than normal, a front or rear turn signal bulb is burned out. See “Replacing light bulbs” on page 532 in Section 7-3.

Headlights and turn signals (with automatic light control system)



HEADLIGHTS

To turn on the following lights: Twist the headlight/turn signal lever knob.

Position 1—Parking, tail, license plate and instrument panel lights

The tail light indicator lights up in the instrument cluster.

Position 2—Headlights and all of the above

Position 3 (“AUTO”)—Headlights and/or all of the lights in position 1

They automatically turn on or off depending on the darkness of the surroundings.

Manually twist the knob to the position 2 to turn on the headlights if they are needed immediately when entering a dark tunnel, parking structure, etc.

However, on some models, even with the headlight switch off all the lights listed above (except the instrument panel light) turn on when the engine is started. In this case, the headlights are on low beam.

The automatic light control sensor is on the top of the driver's side instrument panel.

Do not place anything on the instrument panel, and/or do not affix anything on the windshield to block this sensor.

Adjust the headlight beam level before turning on the headlights. (See “Headlight beam level control” on page 181 in this Section.)

تلفن شبانه روزی: ۰۸۵ ۲۰۸۸۶۲-۱۱۱۱
www.masos.com

Automatic light cut off system

Vehicles without double locking system: When the headlight switch is on, the headlights and front fog lights automatically turn off with the engine turned off. When the headlight switch is in the "AUTO" position, the lights turn off 30 seconds after the engine is turned off and any door is opened and then closed (all doors closed). However, the lights turn off immediately if the door lock button on the wireless remote control is pushed within 30 seconds with all the doors already locked.

Vehicles with double locking system: When the headlight switch is on, the headlights and front fog lights automatically turn off with the engine turned off. When the headlight switch is in the "AUTO" position, the lights turn off 30 seconds after the engine is turned off and any door is opened and then closed (all doors closed).

Vehicles without smart entry and start system—To turn on the lights again, set the engine switch at the "ON" position or turn the headlight switch on. If you are going to park for over one week, make sure the headlight switch is off.

Vehicles with smart entry and start system—To turn on the lights again, set the "ENGINE START STOP" switch at IGNITION ON mode or turn the headlight switch on. If you are going to park for over one week, make sure the headlight switch is off.

Light reminder buzzer

Vehicles without smart entry and start system—A buzzer will remind you to turn the lights off when the driver's door is opened if you remove the key from the engine switch with the headlight switch on.

Vehicles with smart entry and start system—A buzzer will remind you to turn the lights off when the driver's door is opened if you turn off the engine with the headlight switch on.

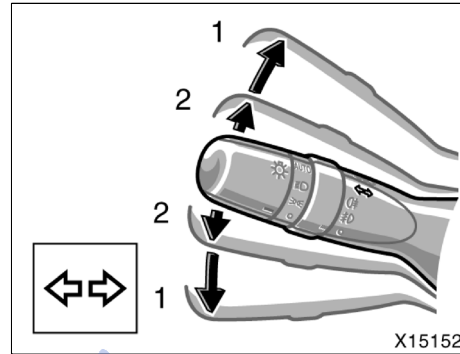
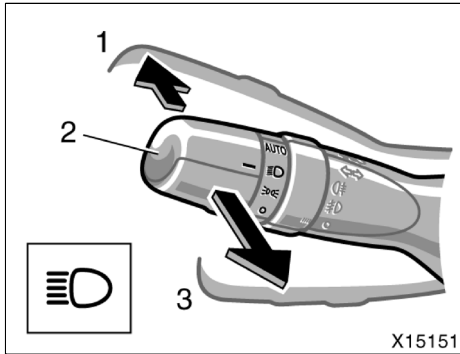
This buzzer will not sound if the headlight switch is in the "AUTO" position.

NOTICE

To prevent the battery from being discharged, do not leave the lights on for a long period when the engine is not running.

تلفن شبانه روزی: ۰۲۱-۸۵۰۰۰۰۰۰

OS.com



High-Low beams—For high beams, turn the headlights on and push the lever away from you (position 1). Pull the lever toward you (position 2) for low beams.

The headlight high beam indicator light (blue light) on the instrument panel will tell you that the high beams are on.

Flashing the high beam headlights (position 3)—Pull the lever all the way back. The high beam headlights turn off when you release the lever.

You can flash the high beam headlights even when the headlight switch is off.

TURN SIGNALS

To signal a turn, push the headlight/turn signal lever up or down to position 1.

Vehicles without smart entry and start system—The engine switch must be set at the “ON” position.

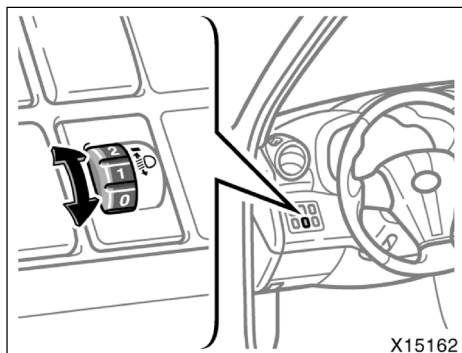
Vehicles with smart entry and start system—The “ENGINE START STOP” switch must be set at IGNITION ON mode.

The lever automatically returns after you make a turn, but you may have to return it by hand after you change lanes.

To signal a lane change, move the lever up or down to the pressure point (position 2) and hold it.

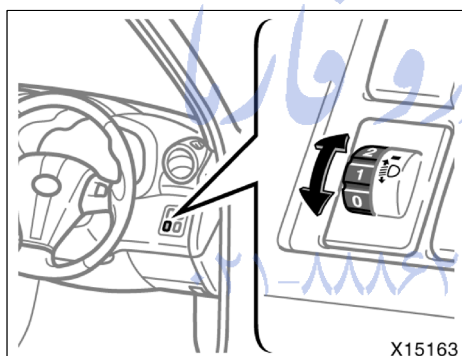
If the turn signal indicator lights (green lights) on the instrument panel flash faster than normal, a front or rear turn signal bulb is burned out. See “Replacing light bulbs” on page 532 in Section 7-3.

Headlight beam level control



X15162

Left-hand drive vehicles



X15163

Right-hand drive vehicles

To adjust the headlight beam level, turn the dial.

The following list shows examples of proper dial settings. For loading conditions other than those listed, adjust the dial position so that the beam level is the same as the one obtained according to the list when only the driver is in the vehicle. The higher the number of the dial position, the lower the headlight beam level.

Always keep the headlight beam at the proper level, or your headlights may dazzle other road users.

ALA30R-AWFXYW, ALA30R-AWFGYW,
ALA30L-AWFXYW, ALA30L-AWFGYW,
ACA30L-AWMXKW, ACA30L-AWMGKW,
ACA30L-AWPXKW and
ACA30L-AWPGKW models*

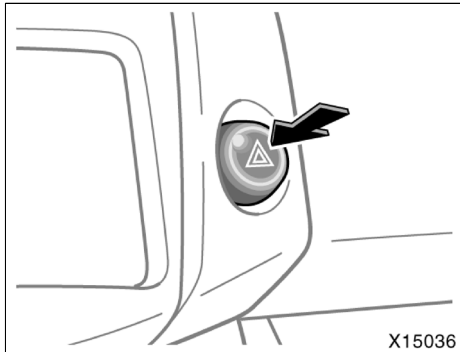
Loading condition	Dial position
Driver only	0
Driver + front passenger	0
Full passengers (including driver)	1.5
Full passengers (including driver) + full luggage loading to the luggage compartment	3
Driver + full luggage loading	4

Others

Dial position \ Loading condition	Four-wheel drive models	Two-wheel drive models with 3ZR-FAE engine	Two-wheel drive models with 2AD-FTV and 2AD-FHV engines
Driver only	0	0	0
Driver + front passenger	0	0	0
Full passengers (including driver)	1.5	1.5	1.5
Full passengers (including driver) + full luggage loading to the luggage compartment	2.5	3	2.5
Driver + full luggage loading	3	3.5	3.5

*: See "Model code" on page x for details.

Emergency flashers



X15036

To turn on the emergency flashers, push the switch.

All the turn signal lights will flash. To turn them off, push the switch once again.

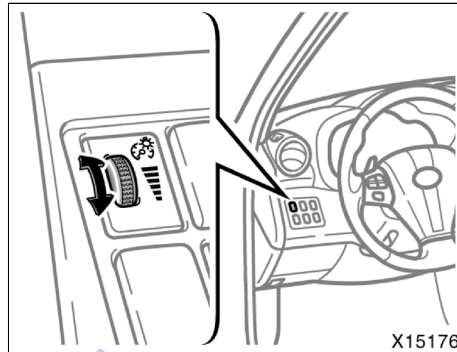
Turn on the emergency flashers to warn other drivers if your vehicle must be stopped where it might be a traffic hazard. Always pull as far off the road as possible.

The turn signal light switch will not work when the emergency flashers are operating.

NOTICE

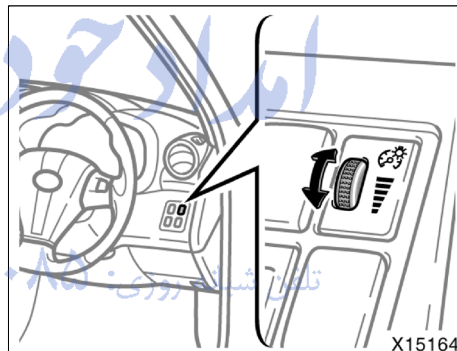
To prevent the battery from being discharged, do not leave the switch on longer than necessary when the engine is not running.

Instrument panel light control



X15176

Left-hand drive vehicles

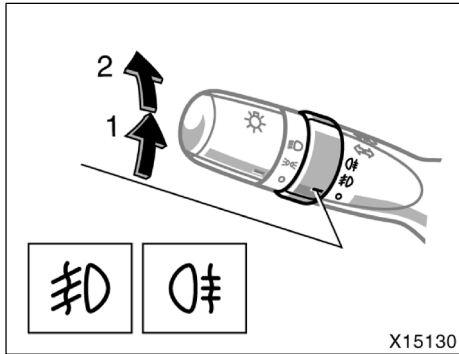


X15164

Right-hand drive vehicles

To adjust the brightness of the instrument panel lights, turn the dial.

With the dial turned fully up, the intensity of the instrument panel lights will not be reduced even when the tail lights/headlights are turned on.

Front and rear fog lights

To turn on the following lights, twist the band of the headlight and turn signal switch lever when the tail lights and/or headlights are turned on.

Position 1—Front fog lights

Front fog light indicator light on the instrument panel will tell you that the front fog lights are on.

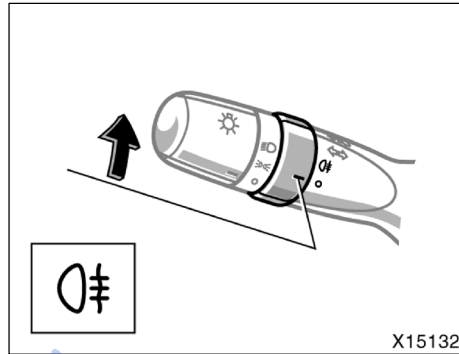
Position 2—Front fog lights and rear fog lights

The front fog lights and rear fog light indicators will tell you that the front and rear fog lights are on. The band automatically returns position 1 after you release it.

The rear fog lights will go off automatically when all other lights are turned off.

After the headlight switch is turned off, the rear fog lights do not come on even if you turn on the headlight switch again.

To turn on the rear fog lights again, twist the band of the headlight and turn signal switch lever under the condition stated above.

Rear fog lights

To turn on the rear fog lights, twist the band of the headlight and turn signal switch lever. They will come on when the headlights are turned on.

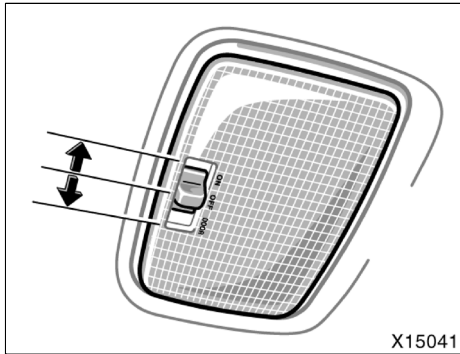
Rear fog light indicator light on the instrument panel will tell you that the rear fog lights are on. The band automatically returns after you release it.

The rear fog lights will go off automatically when all other lights are turned off.

After the headlight switch is turned off, the rear fog lights do not come on even if you turn on the headlight switch again.

To turn on the rear fog lights again, twist the band of the headlight and turn signal switch lever again under the condition stated above.

Interior light



X15041

To turn on the interior light, slide the switch.

The interior light switch has the following positions:

“ON”—Keeps the light on all the time.

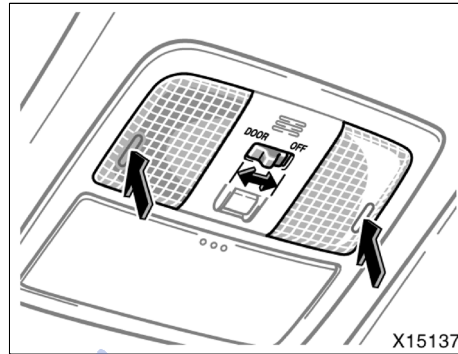
“OFF”—Turns the light off.

“DOOR”—Turns the light on when any of the side doors are opened. For details, see “Illuminated entry system” on page 186 in this Section.

INTERIOR LIGHT CUT OFF OPERATION

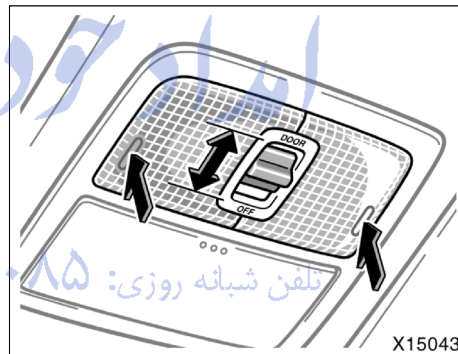
To prevent the battery being discharged, the light will automatically turn off when the engine is turned off and the door is left opened with the switch at “DOOR” position for 20 minutes or more.

Personal lights



X15137

Type A



X15043

Type B

The personal lights operate separately with each lens.

To turn on the light, push the lens on your side. To turn the light off, push the lens once again.

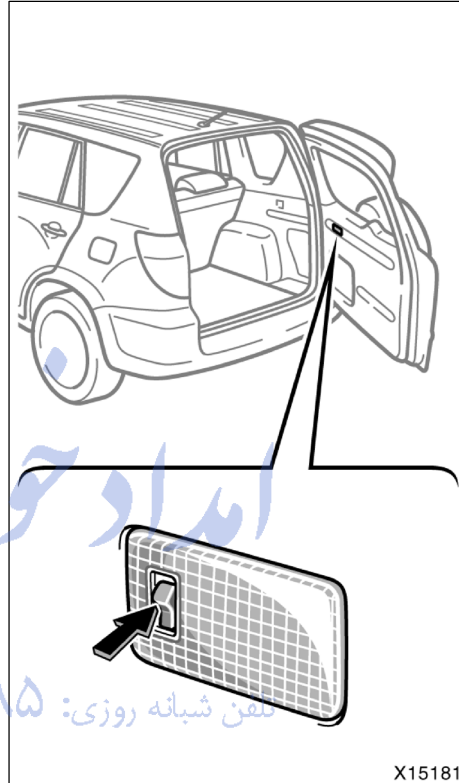
The personal lights switch has the following positions:

“DOOR”—Turns the lights on when any of the side doors is opened. For details, see “Illuminated entry system” on page 186 in this Section.

“OFF”—Turn the lights on only when you push the lens.

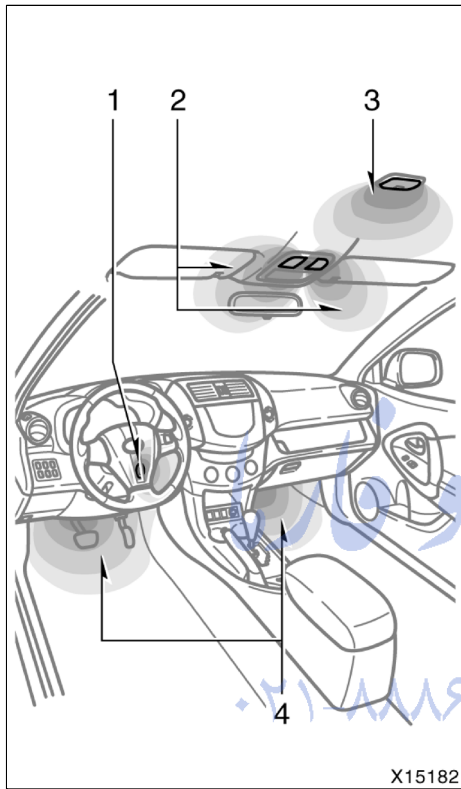
INTERIOR LIGHT CUT OFF OPERATION

To prevent the battery being discharged, the light will automatically turn off when the engine is turned off and the door is left opened with the switch at "DOOR" position for 20 minutes or more.

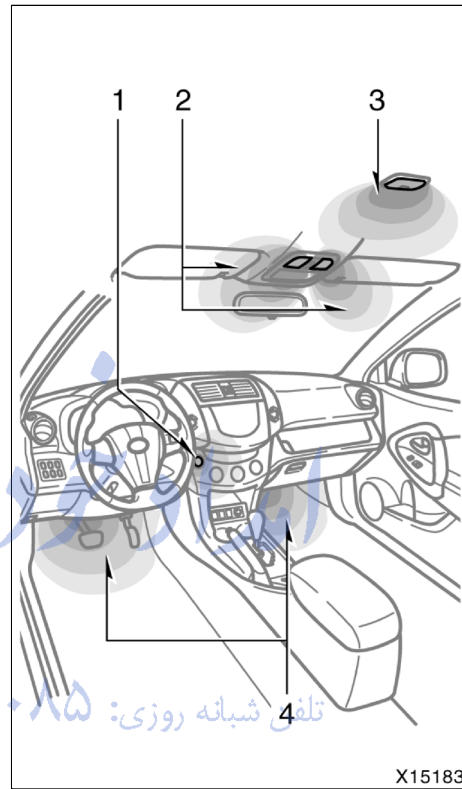
Luggage compartment light

To turn on the luggage compartment light, push the luggage compartment light switch upwards. The light turn on when the back door is opened. The light goes off when the back door is closed.

Illuminated entry system



Without smart entry and start system



With smart entry and start system

The following lights will come on when any of the side doors are opened. After all the side doors are closed, the lights remain on for about 15 seconds before fading out.

1. Engine switch light (vehicles without smart entry and start system)
“ENGINE START STOP” switch light (vehicles with smart entry and start system)
2. Personal lights (with the “DOOR” position)
3. Interior light (with the “DOOR” position)
4. Foot lights

When any of the side doors are unlocked, the lights will come on and remain on for about 15 seconds before fading out.

If all the doors are closed, when the engine switch (vehicles without smart entry and start system) or the “ENGINE START STOP” switch (vehicles with smart entry and start system) is turned off, the lights will come on and remain on for about 15 seconds.

The duration of the lighting can be changed. For details, ask any authorized Toyota dealer or repairer, or another duly qualified and equipped professional.

Vehicles without smart entry and start system—If all the doors are closed and the engine switch is set at the “ACC” position, the engine switch light and interior light will fade out.

Vehicles with smart entry and start system—If all the doors are closed and the “ENGINE START STOP” switch is set at ACCESSORY mode, the “ENGINE START STOP” switch light and interior light will fade out.

If all the doors are locked, all the lights will fade out.

To prevent the battery being discharged, all of the lights will automatically turn off when the key is removed (vehicles without smart entry and start system) or “ENGINE START STOP” switch (vehicles with smart entry and start system) is turned off, and the door is left opened for about 20 minutes.

FOOT LIGHTS

Vehicles without smart entry and start system—

With the automatic transmission or Multi-drive: The foot lights also come on when the engine switch is set at the “ON” position with the shift lever in the “P” position. When the shift lever is moved out of the “P” position, the foot lights will be dimmed.

With the manual transmission: The foot lights also come on when the parking brake is set. When the engine switch is set at the “ON” position with the parking brake released, the foot lights will be dimmed.

Vehicles with smart entry and start system—

With the automatic transmission or Multi-drive: The foot lights also come on when the “ENGINE START STOP” switch is set at IGNITION ON mode with the shift lever in the “P” position. When the shift lever is moved out of the “P” position, the foot lights will be dimmed.

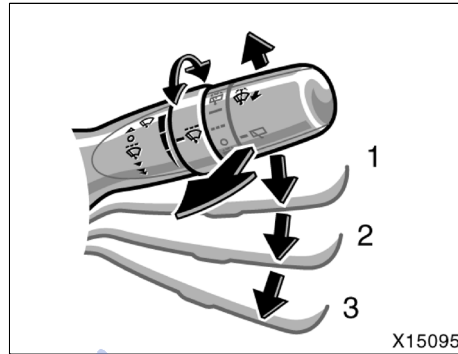
With the manual transmission: The foot lights also come on when the parking brake is set. When the “ENGINE START STOP” switch is set at IGNITION ON mode with the parking brake released, the foot lights will be dimmed.

This operation can be customized. For details, ask any authorized Toyota dealer or repairer, or another duly qualified and equipped professional.

Windshield wipers and washer (intermittent operation type)

ILLUMINATIONS OF ENTRY FUNCTION (vehicles with smart entry and start system)

The interior light, personal lights and foot lights come on and remain on for about 15 seconds when you carry the registered key into the entry function actuation area. For further information of entry function actuation area, see “Smart entry and start system” on page 48 in Section 1-2.



To turn on the windshield wipers, move the lever to the desired setting.

Vehicles without smart entry and start system—The engine switch must be set at the “ON” position.

Vehicles with smart entry and start system—The “ENGINE START STOP” switch must be set at IGNITION ON mode.

Lever position	Speed setting
Position 1	Intermittent operation
Position 2	Low speed operation
Position 3	High speed operation

For a single sweep of the windshield, push the lever up and release it.

The band lets you adjust the wiping time interval when the wiper lever is in the intermittent position (position 1). Twist the band upward to decrease the time between sweeps, or downward to increase the time between sweeps.

To squirt washer fluid, pull the lever toward you.

If the windshield wipers are off, they will operate a couple of times after the washer squirts.

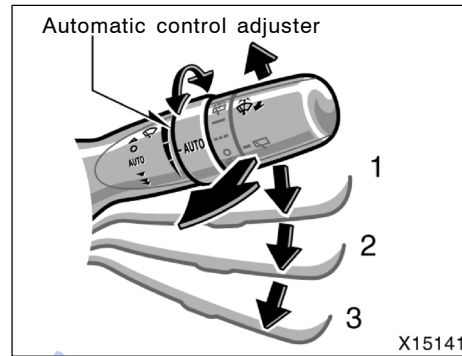
**Windshield wipers and washer
(raindrop detection type)**

Vehicles without smart entry and start system—Only for the first time when the windshield washer is operated after the engine switch is turned to the “ON” position with the headlights on, the headlight cleaners will also operate once.

Vehicles with smart entry and start system—Only for the first time when the windshield washer is operated after the “ENGINE START STOP” switch is turned to IGNITION ON mode with the headlights on, the headlight cleaners will also operate once.

For instructions on adding washer fluid, see “Adding washer fluid” on page 531 in Section 7-3.

In freezing weather, warm the windshield with the defroster before using the washer. This will help prevent the washer fluid from freezing on your windshield, which can block your vision.



To turn on the windshield wipers, move the lever to the desired setting.

Vehicles without smart entry and start system—The engine switch must be set at the “ON” position.

Vehicles with smart entry and start system—The “ENGINE START STOP” switch must be set at IGNITION ON mode.

NOTICE

Do not operate the wipers if the windshield is dry. It may scratch the glass.

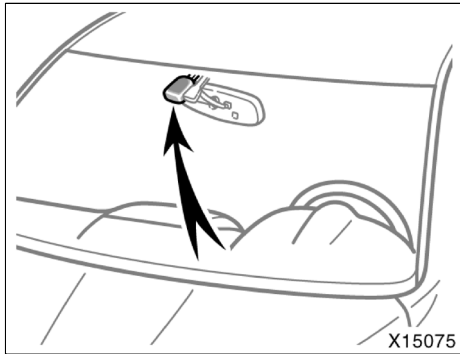
Lever position	Operation
Position 1	Automatic operation
Position 2	Low speed operation
Position 3	High speed operation

When waxing your vehicle, make sure that the washer nozzles do not become blocked. If a nozzle becomes blocked, contact any authorized Toyota dealer or repairer, or another duly qualified and equipped professional to have the vehicle serviced.

For a single sweep of the windshield, push the lever up and release it.

NOTICE

If a nozzle becomes blocked, do not try to clear it with a pin or other object. The nozzle will be damaged. In this case, contact any authorized Toyota dealer or repairer, or another duly qualified and equipped professional.



Automatic operation (position 1)

The wiper speed is determined by the amount of raindrops and sunlight detected by the automatic wiper control sensor and the vehicle speed.

The automatic wiper control sensor is on the inside of the windshield as shown above.

If you feel that the operation of the automatic wiper control is too fast or too slow, twist the automatic control adjuster in the upward to boost sensitivity, or downward to lower sensitivity.

Vehicles without smart entry and start system—If the wiper lever is in position 1 while the engine switch is in the “ON” position, the wiper will operate once to show that automatic operation is active.

Vehicles with smart entry and start system—If the wiper lever is in position 1 while the “ENGINE START STOP” switch is in IGNITION ON mode, the wiper will operate once to show that automatic operation is active.

Even if the wiper lever is in position 1, the system will switch to intermittent operations in the following conditions:

- When the windshield gets extremely cold (at less than -15°C [5°F])
- When the system malfunctions

However, when the windshield gets extremely hot (at more than 90°C [194°F]), the wipers do not operate even if the wiper lever is in position 1.

If the windshield wipers cease operation while in “AUTO” mode, change to a mode other than “AUTO”.

If it is raining and the wiper is set to automatic operation, as soon as the vehicle starts to move, the wiper will operate once to clear the driver’s front view.

CAUTION

Be careful not to get your fingers caught between the wipers and windshield.

Vehicles without smart entry and start system—When the wiper lever is in position 1 with the engine switch is in the “ON” position, the wipers could operate automatically in the following cases:

- If you touch the upper center of the windshield adjacent to the sensor.
- If you wipe the upper center of the windshield (adjacent to which the sensor is located) with a towel or other object.
- If the windshield vibrates.
- If you touch the sensor.

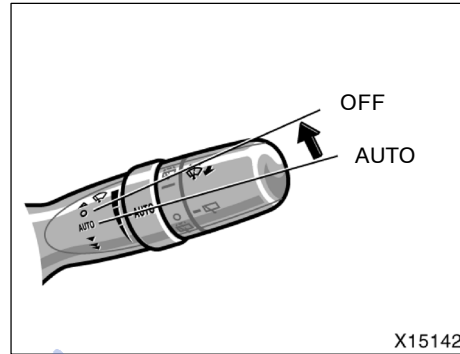
Vehicles with smart entry and start system—When the wiper lever is in position 1 with the “ENGINE START STOP” switch is in IGNITION ON mode, the wipers could operate automatically in the following cases:

- If you touch the upper center of the windshield adjacent to the sensor.
- If you wipe the upper center of the windshield (adjacent to which the sensor is located) with a towel or other object.

- If the windshield vibrates.
- If you touch the sensor.

NOTICE

Do not apply detergent to or wet the automatic wiper control sensor when cleaning the inside of the windshield.



When using an automatic car wash, set the wiper lever to the OFF position.

NOTICE

If the wiper lever is in the "AUTO" position, the wipers may operate and the wiper blades may be damaged.

To squirt washer fluid, pull the lever toward you.

The wipers will automatically operate even if the lever is in the OFF position in low speed operation while the washer operates.

After the washer operates, the wipers operate three times in low operation, pause for several seconds, and then operate once more.

The interval between the 3 wipes and the final wipe depends on the vehicle speed. The final sweep does not occur if the vehicle speed exceeds 170 km/h (106 mph).

The final wipe (after a pause of several seconds) prevents the washer fluid from dripping.

Vehicles without smart entry and start system—Only for the first time when the windshield washer is operated after the engine switch is turned to the “ON” position with the headlights on, the headlight cleaners will also operate once.

Vehicles with smart entry and start system—Only for the first time when the windshield washer is operated after the “ENGINE START STOP” switch is turned to IGNITION ON mode with the headlights on, the headlight cleaners will also operate once.

For instructions on adding washer fluid, see “Adding washer fluid” on page 531 in Section 7-3.

In freezing weather, warm the windshield with the defroster before using the washer. This will help prevent the washer fluid from freezing on your windshield, which can block your vision.

NOTICE

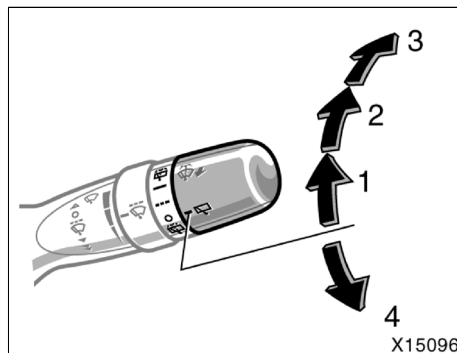
Do not operate the wipers if the windshield is dry. It may scratch the glass or may damage wiper blades.

When waxing your vehicle, make sure that the washer nozzles do not become blocked. If a nozzle becomes blocked, contact any authorized Toyota dealer or repairer, or another duly qualified and equipped professional to have the vehicle serviced.

NOTICE

If a nozzle becomes blocked, do not try to clear it with a pin or other object. The nozzle will be damaged. In this case, contact any authorized Toyota dealer or repairer, or another duly qualified and equipped professional.

Rear window wiper and washer



To turn on the rear window wiper, twist the lever knob upward.

Vehicles without smart entry and start system—The engine switch must be set at the “ON” position.

Vehicles with smart entry and start system—The “ENGINE START STOP” switch must be set at IGNITION ON mode.

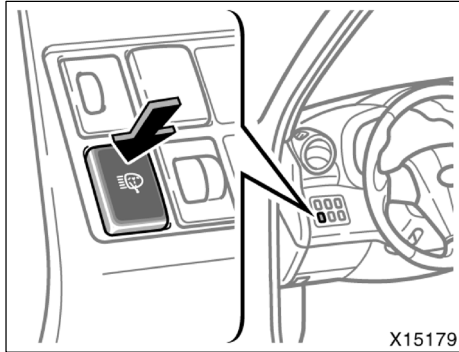
Lever position	Speed setting
Position 1	Intermittent operation
Position 2	Normal operation

To squirt washer fluid on the rear window, twist the knob upward or downward as far as it will go (position 3 or 4). The knob automatically returns from these positions after you release it. The rear window wiper operates while the washer squirts.

For instructions on adding washer fluid, see “Adding washer fluid” on page 531 in Section 7-3.

NOTICE

Do not operate the rear wiper if the rear window is dry. It may scratch the glass.

Headlight cleaner

X15179

To spray fluid on the headlights, turn the headlights on and push the switch.

Vehicles without smart entry and start system—The engine switch must be set at the “ON” position.

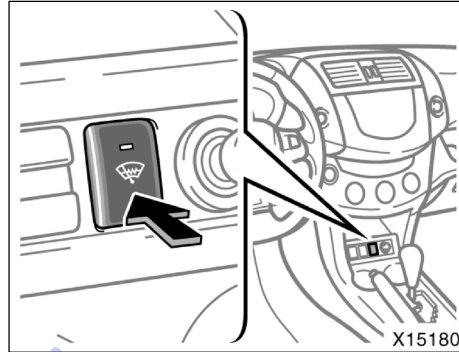
Vehicles with smart entry and start system—The “ENGINE START STOP” switch must be set at IGNITION ON mode.

At regular intervals, check the fluid level on the level gauge inside the headlight cleaner fluid tank.

Use washer fluid for replenishment. For information on adding fluid, see “Adding washer fluid” on page 531 in Section 7-3.

NOTICE

Do not turn the headlight cleaner on with the washer fluid tank empty. It may cause the cleaner motor to over-heat.

Windshield wiper de-icer

X15180

To deice the windshield wiper blades, push the switch.

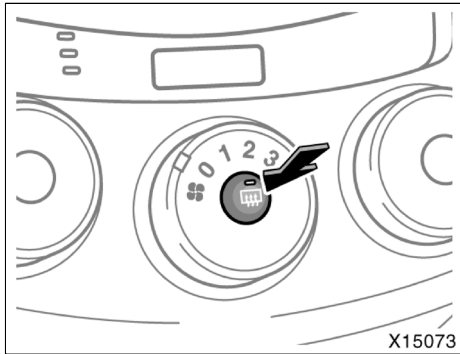
Vehicles without smart entry and start system—The engine switch must be set at the “ON” position.

Vehicles with smart entry and start system—The “ENGINE START STOP” switch must be set at IGNITION ON mode.

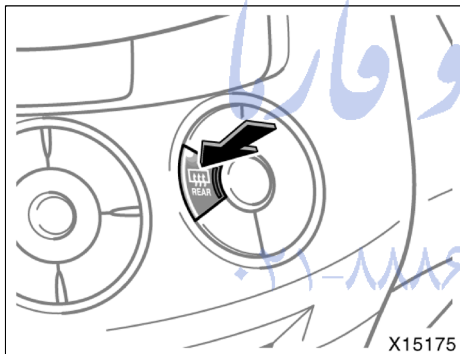
The system will automatically shut off after the deicer has operated about 15 minutes. An indicator light will illuminate to indicate the deicer is operating.

If further deicing is desired, simply actuate the switch again. When the wiper blades have deiced, push the switch once again to turn the deicer off. Continuous use may cause the battery to discharge, especially during stop-and-go driving.

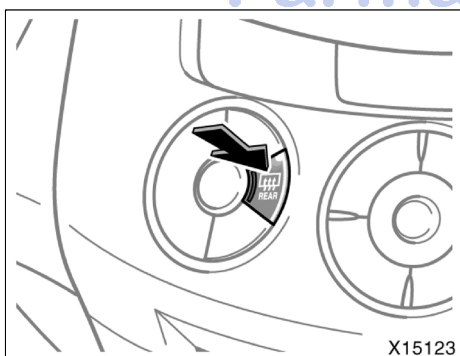
Rear window and outside rear view mirror defoggers



Manual air conditioning system



Automatic air conditioning system (left-hand drive vehicle)



Automatic air conditioning system (right-hand drive vehicle)

To defog or defrost the rear window, push the switch.

Vehicles without smart entry and start system—The engine switch must be set at the “ON” position.

Vehicles with smart entry and start system—The “ENGINE START STOP” switch must be set at IGNITION ON mode.

The thin heater wires on the inside of the rear window will quickly clear the window surface. An indicator light will illuminate to indicate the defogger is operating.

The heater panels in the outside rear view mirrors will also quickly clear the surfaces.

Push the switch once again to turn the defoggers off.

On some models, the system will automatically shut off after the defoggers have operated about 15 minutes.

CAUTION

Since the mirror surfaces can get hot, do not touch them when the switch is on.

Make sure you turn the defoggers off when the surfaces are clear. Leaving the defoggers on for a long time could cause the battery to discharge, especially during stop-and-go driving. The defoggers are not designed for drying rain water or for melting snow.

If the outside rear view mirrors are heavily coated with ice, use a spray de-icer before operating the switch.

NOTICE

- ◆ *Without timer: To prevent the battery from being discharged, turn the switch off when the engine is not running.*
- ◆ *When cleaning the inside of the rear window, be careful not to scratch or damage the heater wires or connectors.*

امداد خودرو فارما

تلفن شبانه روزی: ۰۲۱-۸۸۸۶۲۰۸۵

FarmaSOS.com

امداد خودرو فارما

تلفن شبانه روزی: ۰۲۱-۸۸۸۶۲۰۸۵

FarmaSOS.com

Section 1-6 OPERATION OF INSTRUMENTS AND CONTROLS

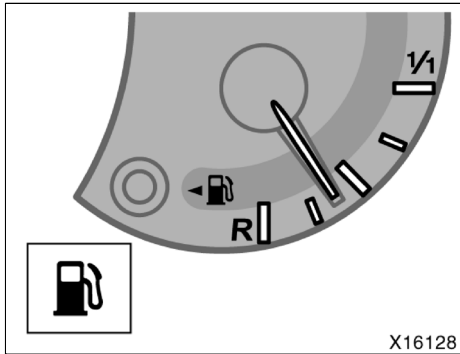
Gauges, Meters and Service reminder indicators

- Fuel gauge 198
- Engine coolant temperature gauge 199
- Tachometer 200
- Multi-information display 200
- Service reminder indicators and warning buzzers 220

امداد خودرو فارما

تلفن شبانه روزی: ۰۲۱-۸۸۸۶۲۰۸۵

FarmaSOS.com

Fuel gauge

The indicator lamp goes off after driving several times. If the indicator lamp does not go off, contact any authorized Toyota dealer or repairer, or another duly qualified and equipped professional, as soon as possible.

Vehicles without smart entry and start system—The gauge indicates the approximate quantity of fuel remaining in the tank when the engine switch is in the “ON” position.

Vehicles with smart entry and start system—The gauge indicates the approximate quantity of fuel remaining in the tank when the “ENGINE START STOP” switch is in IGNITION ON mode.

Nearly full—Needle at “1/1”

Nearly empty—Needle at “R”

It is a good idea to keep the tank over 1/4 full.

The needle moves when braking, accelerating or making turns. This is caused by the movement of the fuel in the tank.

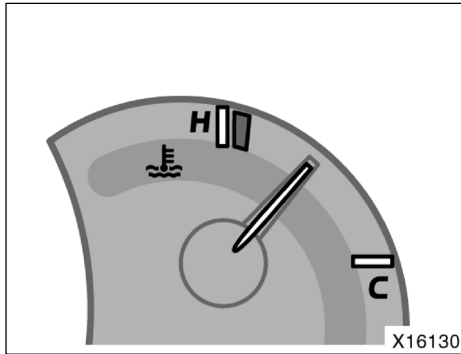
If the fuel level approaches “R” or the low fuel level warning light comes on, fill the fuel tank as soon as possible.

On inclines or curves, due to the movement of fuel in the tank, the fuel gauge needle may fluctuate or the low fuel level warning light may come on earlier than usual.

On some models—

If the fuel tank is completely empty, the malfunction indicator lamp comes on. Fill the fuel tank immediately.

Engine coolant temperature gauge



NOTICE

- ◆ *Do not remove the thermostat in the engine cooling system as this may cause the engine to overheat. The thermostat is designed to control the flow of coolant to keep the temperature of the engine within the specified operating range.*
- ◆ *Do not continue driving with an overheated engine. See "If your vehicle overheats" on page 444 in Section 4.*

Vehicles without smart entry and start system—The gauge indicates the engine coolant temperature when the engine switch is in the "ON" position. The engine operating temperature will vary with changes in weather and engine load.

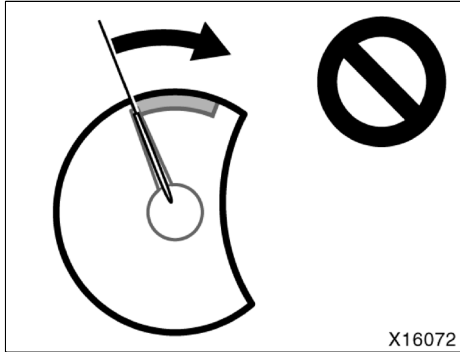
Vehicles with smart entry and start system—The gauge indicates the engine coolant temperature when the "ENGINE START STOP switch" is in IGNITION ON mode. The engine operating temperature will vary with changes in weather and engine load.

If the needle moves into the red zone, your engine is too hot. If your vehicle overheats, stop your vehicle and allow the engine to cool.

Your vehicle may overheat during severe operating conditions, such as:

- Driving up a long hill on a hot day.
- Reducing speed or stopping after high speed driving.
- Idling for a long period with the air conditioning on in stop-and-go traffic.
- Towing a trailer.

Tachometer



X16072

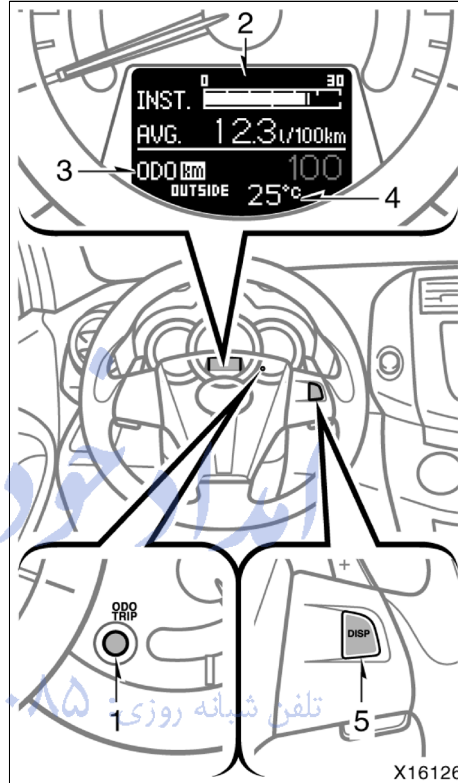
The tachometer indicates engine speed in thousands of rpm (revolutions per minute). Use it while driving to select correct shift points and to prevent engine lugging and over-revving.

Driving with the engine running too fast causes excessive engine wear and poor fuel economy. Remember, in most cases the slower the engine speed, the greater the fuel economy.

NOTICE

Do not let the indicator needle get into the red zone. This may cause severe engine damage.

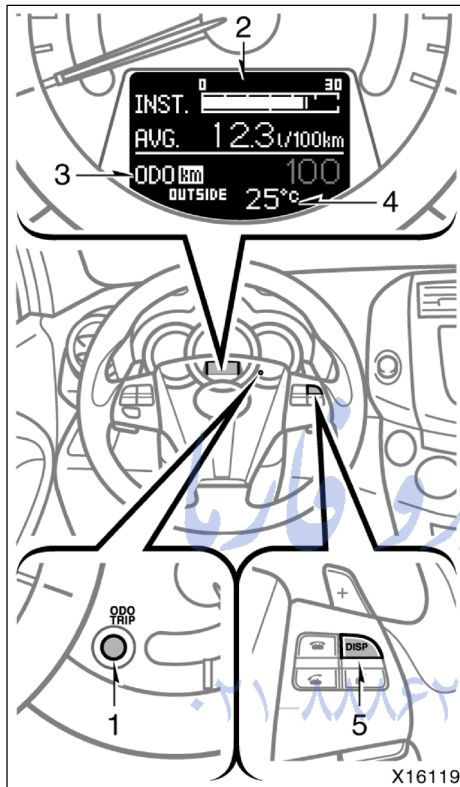
Multi-information display—



X16126

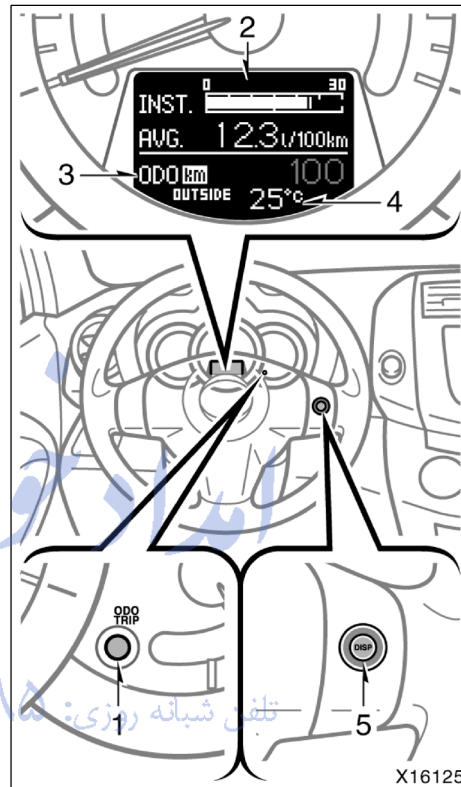
Type A

1. "ODO/TRIP" knob
2. Cruise information display
3. Odometer and two trip meters
4. Outside temperature display
5. "DISP" switch



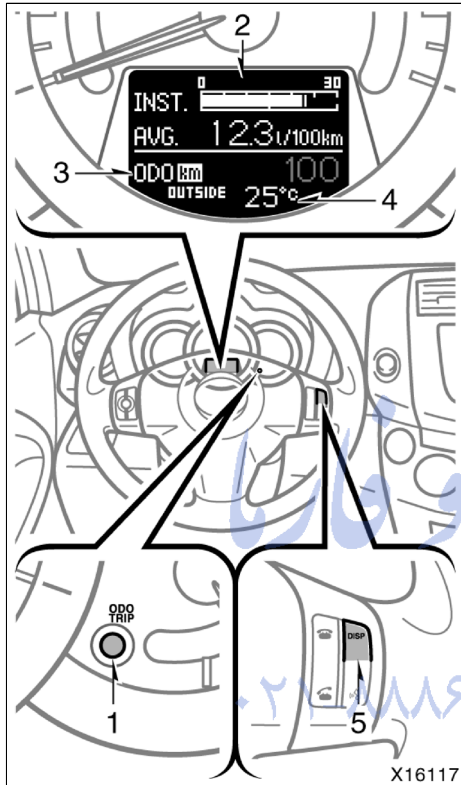
Type B

1. "ODO/TRIP" knob
2. Cruise information display
3. Odometer and two trip meters
4. Outside temperature display
5. "DISP" switch



Type C

1. "ODO/TRIP" knob
2. Cruise information display
3. Odometer and two trip meters
4. Outside temperature display
5. "DISP" switch



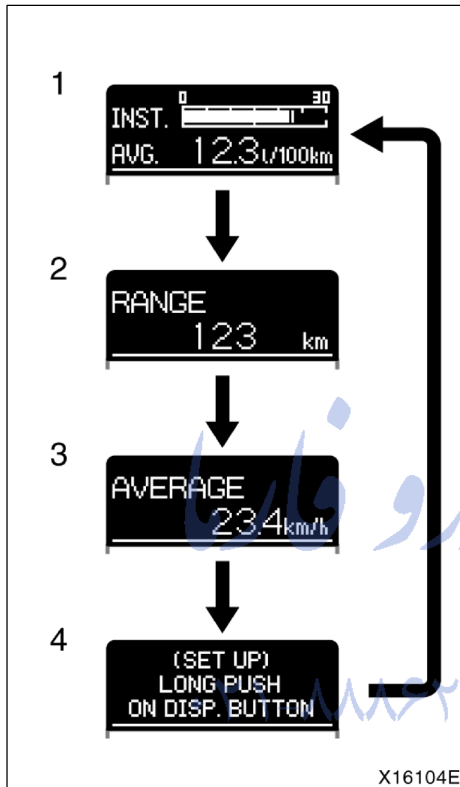
Type D

1. "ODO/TRIP" knob
2. Cruise information display
3. Odometer and two trip meters
4. Outside temperature display
5. "DISP" switch

The multi-information display provides various information, including the driving condition, outside temperature, and warning messages if the vehicle malfunctions or is in trouble.

During ordinary driving, cruise information is displayed. When the vehicle is stopped, you can select the units or language of the display. However, in case the vehicle has a system malfunction or if there is some information that the driver should be informed of, a warning message appears on the display. See "—Messages" on page 210 for details.

—Cruise information



Vehicles without smart entry and start system—The following information is displayed when you push the “DISP” switch with the engine switch set at the “ON” position.

Vehicles with smart entry and start system—The following information is displayed when you push the “DISP” switch with the “ENGINE START STOP” switch set at IGNITION ON mode.

Each time you push the “DISP” switch, the display toggles through the following information.

1. Instantaneous fuel consumption and average fuel consumption
2. Driving range
3. Average vehicle speed after engine start
4. Set up information display

While the vehicle is moving, the set up information display cannot be shown.

The cruise information displays general driving conditions. Accuracy varies with driving habits and road conditions.

Vehicles without smart entry and start system—When the engine switch is turned to the “ON” position, the last previously used mode displayed just before the engine switch was turned off will appear.

Vehicles with smart entry and start system—When the “ENGINE START STOP” switch is turned to IGNITION ON mode, the last previously used mode displayed just before the “ENGINE START STOP” switch was turned off will appear.

If the electrical power source has been disconnected, the display will automatically be set to the initial setting.

When the instrument panel lights are turned on, the brightness of the display will be reduced.

**CAUTION**

Do not adjust the display while the vehicle is moving. Be sure to adjust the display only when the vehicle is stopped.

1. Instantaneous fuel consumption (“INST.”) and average fuel consumption (“AVG. L/100 km”, “AVG. km/L” or “AVG. MPG”)

Instantaneous fuel consumption—

The instantaneous fuel consumption is calculated based on the distance and fuel consumed every 20 revolutions of the engine.

The displayed value is updated for a short time.

Note that an accurate figure may not be shown in the following cases:

- The vehicle is stopped with the engine running. (The display will indicate extremely high fuel consumption.)
- The vehicle is driving down a long slope applying the engine brake. (The display will indicate extremely low fuel consumption.)

The calculation is reset when the engine switch (vehicles without smart entry and start system) or the “ENGINE START STOP” switch (vehicles with smart entry and start system) is turned off.

Average fuel consumption—

Average fuel consumption is calculated after the engine is started based on total driving distance and total fuel consumed.

The displayed value is updated every 10 seconds.

To reset the calculations, push and hold “DISP” switch for about 1 second when the display indicates the average fuel consumption.

Use the displayed average fuel consumption as reference.

The units of the meters can be changed. For details, see “—Selecting the units and language” on page 206.

2AD-FHV engine only—The vehicle momentarily uses more fuel than usual to reduce vehicle emissions or to maintain emission control system performance. At this time, the display will indicate a higher level of fuel consumption.

2. Driving range (“RANGE km” or “RANGE miles”)

The distance the vehicle can travel with the remaining fuel is calculated based on the quantity of remaining fuel and past fuel consumption.

The driving range display indicates the approximate distance that you can drive until the fuel gauge reaches “R”. It is different from the actual distance traveled.

The displayed value is updated every time the fuel equivalent for either 1 km or 1 mile is consumed.

If the fuel gauge malfunctions, the mileage figure will not appear.

When the vehicle is refueled, the driving range is recalculated. However, when only a small amount of fuel is added to the tank, the display may not be reset.

The actual driving range varies with driving habits and road conditions. If fuel consumption is good, the driving range will be longer than indicated. If fuel consumption is poor, the driving range will be shorter than indicated.

If the low fuel level warning light comes on, refuel the vehicle even if the display indicates that the vehicle can be driven further.

The units of the meters can be changed. For details, see “—Selecting the units and language” on page 206.

3. Average vehicle speed after engine start (“AVERAGE km/h” or “AVERAGE MPH”)

Average vehicle speed is calculated after the engine is started based on total driving distance and total amount of time with the engine on.

The displayed value is updated every 10 seconds.

To reset the calculations, push and hold the “DISP” switch for about 1 second when the display indicates the average vehicle speed after engine start.

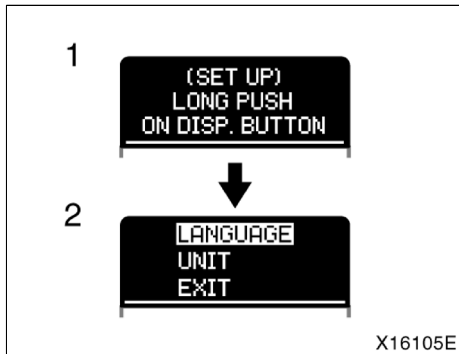
The units of the meters can be changed. For details, see “—Selecting the units and language” on page 206.

4. Set up information display

When the vehicle is stopped, the display can be changed to the selecting language and units display by pushing and holding the “DISP” switch. (For details, see “—Selecting the units and language” on page 206 in this Section.) While the vehicle is moving, pushing the “DISP” switch returns the display to the instantaneous fuel consumption and average fuel consumption display.

امداد خودروزی: ۰۸۵-۸۸۸-۸۸۸
تلفن شبانه روزی: ۰۸۵-۸۸۸-۸۸۸
FarmSOS.com

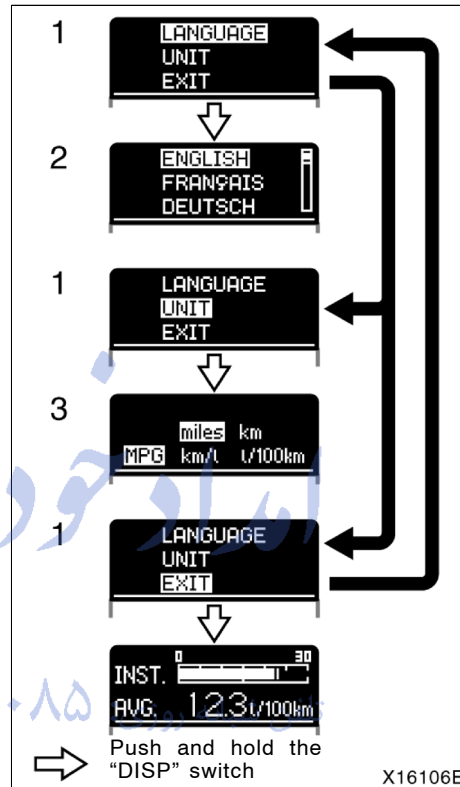
—Selecting the units and language



The units or language of the multi-information display can be selected with set up information display.

To select the units or language of the display, stop the vehicle and change to the set up information display by pushing the “DISP” switch. (For instructions about changing to the set up information display, see “—Cruise information” on page 203 in this Section.) Push and hold the “DISP” switch to change the main menu display.

1. Set up information display
2. Main menu display

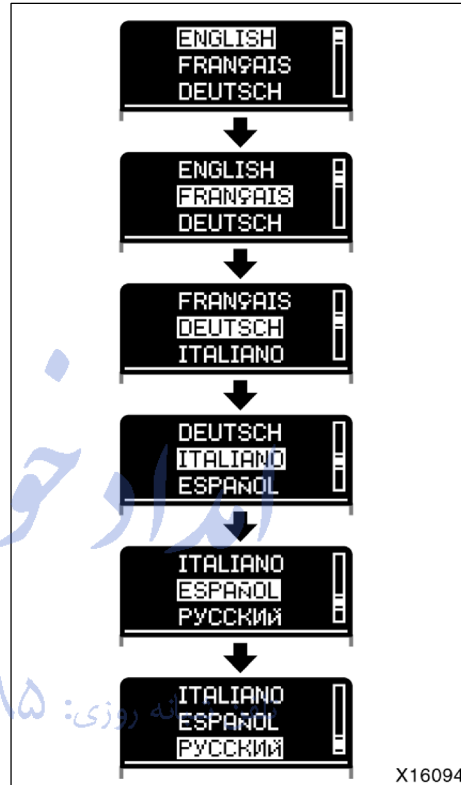


MAIN MENU DISPLAY

Pushing or pushing and holding the “DISP” switch, the display is changed as shown in the above illustration.

1. Main menu display
2. Setting language display
3. Setting units display

Each time the "DISP" switch is pushed, the "LANGUAGE", "UNIT" or "EXIT" is selected. Pushing and holding the "DISP" switch when the "LANGUAGE" is selected, the display is changed to the setting language display. Pushing and holding the "DISP" switch when the "UNIT" is selected, the display is changed to the setting units display. Pushing and holding the "DISP" switch when the "EXIT" is selected, the display is changed to the cruise information display.



SETTING LANGUAGE

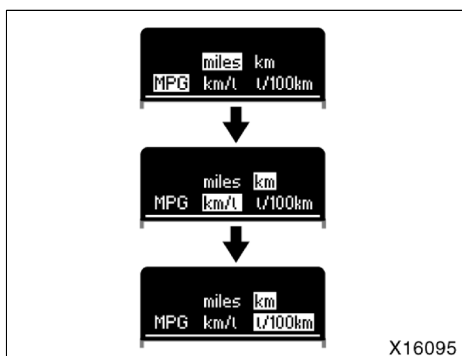
Select the setting language display. Each time the "DISP" switch is pushed, the display is changed as shown in the above illustration. The language can be set by pushing and holding the "DISP" switch.

بازار خودرو فارما

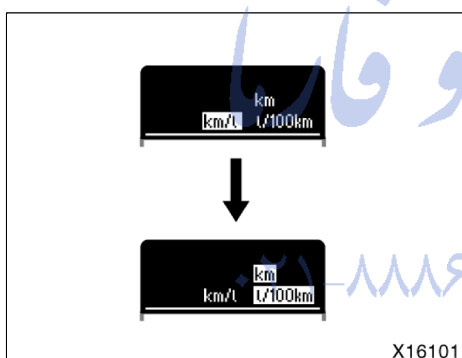
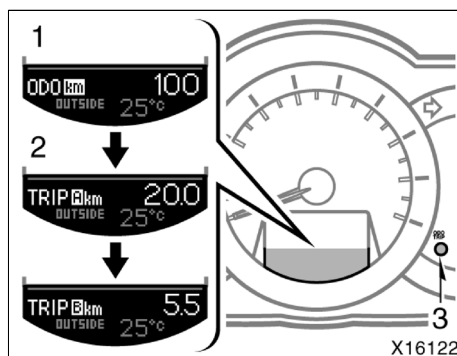
شماره روزی: ۰۲۱-۸۸۶۲۰۸۵

FarmaSCF.com

—Odometer and two trip meters



Type A



Type B

The following meters are displayed in the multi-information display. Pushing the “ODO/TRIP” knob changed the meters.

1. Odometer—Shows the total distance the vehicle has been driven.
2. Two trip meters—Show two different distances independently driven since the last time each trip meter was set to zero.

You can use one trip meter to calculate the fuel economy and the other to measure the distance on each trip. All trip meter data is cancelled if the electrical power source is disconnected.

3. “ODO/TRIP” knob—Resets the two trip meters to zero, and also change the meter display.

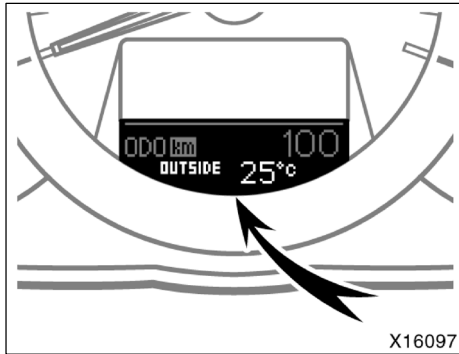
To change the meter display, quickly push and release the knob. The meter display changes in the order from the odometer to trip meter A to trip meter B, then back to the odometer each time you push.

To reset the trip meter A to zero, display the meter A reading, then push and hold the knob until the meter is set to zero. The same process can be applied for resetting the trip meter B.

The units of the meters can be changed. For details, see “—Selecting the units and language” on page 206.

SETTING UNITS

Select the setting units display. Each time the “DISP” switch is pushed, the display is changed as shown in the above illustration. The unit can be set by pushing and holding the “DISP” switch.

—Outside temperature

Vehicles with smart entry and start system—If the outside temperature falls below 3°C (37°F) while driving, the temperature display will flash a few times to inform the driver of the need for caution due to ice on the road resulting from the low temperature. However, if the temperature is already 3°C (37°F) or below, the display does not flash when the “ENGINE START STOP” switch is turned to IGNITION ON mode.

The displayed temperature ranges from -40°C (-40°F) up to 50°C (122°F).

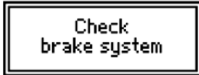
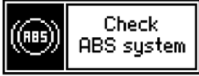

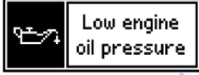
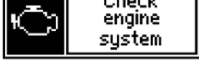

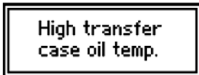

Vehicles without smart entry and start system—The engine switch must be set at the “ON” position.

Vehicles with smart entry and start system—The “ENGINE START STOP” switch must be set at IGNITION ON mode.









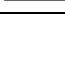

If an abnormality exists in the connection of the outside air temperature sensor, “--°C” will appear on the display. If “--°C” appears on the display, contact any authorized Toyota dealer or repairer, or another duly qualified and equipped professional.

Vehicles without smart entry and start system—If the outside temperature falls below 3°C (37°F) while driving, the temperature display will flash a few times to inform the driver of the need for caution due to ice on the road resulting from the low temperature. However, if the temperature is already 3°C (37°F) or below, the display does not flash when the engine switch is turned to the “ON” position.



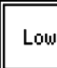



—Messages

	Message	Status	Action
a		Brake system malfunction is detected.	Stop immediately and contact any authorized Toyota dealer or repairer, or another duly qualified and equipped professional.
b		Anti-lock brake system malfunction is detected.	Take vehicle to any authorized Toyota dealer or repairer, or another duly qualified and equipped professional. If brake system warning light is also on, stop immediately and contact any authorized Toyota dealer or repairer, or another duly qualified and equipped professional.
c		SRS airbag system malfunction is detected.	Take vehicle to any authorized Toyota dealer or repairer, or another duly qualified and equipped professional, immediately.
d		Engine oil pressure is low.	Stop and check.
e		Engine electrical system malfunction is detected.	Take vehicle to any authorized Toyota dealer or repairer, or another duly qualified and equipped professional.
f		Four-wheel drive system malfunction is detected.	Take vehicle to any authorized Toyota dealer or repairer, or another duly qualified and equipped professional.
g		<ul style="list-style-type: none"> ● Driveline temperature is too high. ● Active Torque Control 4WD system will be canceled soon. 	Cool the driveline without turning off the engine.
h		Active Torque Control 4WD system is canceled.	Stop vehicle with the engine idling.

NOTE: Messages appear with the master warning light and a warning tone sounds.

	Message	Status	Action
i	 Check battery	Charging system malfunction is detected.	Take vehicle to any authorized Toyota dealer or repairer, or another duly qualified and equipped professional.
j	 Door open	Side doors and/or back door are opened.	Side doors and/or back door are completely closed.
k	 Low engine oil level	Engine oil is low.	Add engine oil.
l	 High water level	Water in fuel filter is reached the specified level.	Drain water.
m	 High transmission oil temp.	Automatic transmission fluid temperature is too high.	Stop and check.
n	 Ice warning	Road surface may be freezing.	Check road surface and drive carefully.
o	 Shift to P range	Shift lever is not set "P" position.	Shift the shift lever to "P" position.
p	 Press the brake pedal	Brake pedal is not depressed when starting the engine.	Depress brake pedal firmly.
q	 Press the clutch pedal	Clutch pedal is not depressed when starting the engine.	Depress clutch pedal firmly.
r	 No key detected	<ul style="list-style-type: none"> • The "ENGINE START STOP" switch is not set at OFF when getting out vehicle carrying the key. • Key is not detected in the vehicle when the "ENGINE START STOP" switch is set at IGNITION ON mode. 	<ul style="list-style-type: none"> • Turn off engine. • Take care key.

NOTE: Messages (except "Ice warning") appear with the master warning light and a warning tone sounds. The "Ice warning" message appears with a warning tone.

	Message	Status	Action
s	 Low fuel	Fuel in tank becomes nearly empty.	Fill up tank.
t	 Oil maintenance required now	Oil change is due.	Replace engine oil.
u	 Low key battery	Electronic key battery is low.	Replace key battery.
v	 Check steering lock	Steering lock system malfunction is detected.	Contact any authorized Toyota dealer or repairer, or another duly qualified and equipped professional.
w	 Steering still locked	Steering lock is stuck.	Rotate steering wheel slightly.
x	 Oil maintenance reset	Engine oil replacement reminder is not reset.	Reset engine oil replacement reminder.

NOTE: Messages appear with the master warning light and a warning tone sounds.



This message is to warn the driver that the brake system is malfunctioning.

If the message appears, the brake system does not work properly. Stop the vehicle immediately and contact any authorized Toyota dealer or repairer, or another duly qualified and equipped professional. (See "Service reminder indicators and warning buzzers" on page 220.)

The message appears with the brake system warning light.



This message is to warn the driver that the anti-lock brake system is malfunctioning.

If the message appears, the anti-lock brake system function may not operate. Contact any authorized Toyota dealer or repairer, or another duly qualified and equipped professional, as soon as possible. (See "Service reminder indicators and warning buzzers" on page 220.)

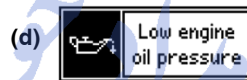
The message appears with the "ABS" warning light.



This message is to warn the driver that the SRS airbag system and front seat belt pretensioners are malfunctioning.

If the message appears, the SRS airbag system and front seat belt pretensioners may not operate properly. Contact any authorized Toyota dealer or repairer, or another duly qualified and equipped professional. (See "Service reminder indicators and warning buzzers" on page 220.)

The message appears with the SRS warning light.



This message is to warn the driver that the engine oil pressure is too low.

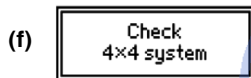
If the message appears, turn the engine off as soon as possible and contact any authorized Toyota dealer or repairer, or another duly qualified and equipped professional.



This message is to warn the driver that the engine system is malfunctioning.

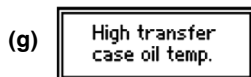
If the message appears, stop the vehicle as soon as possible and contact any authorized Toyota dealer or repairer, or another duly qualified and equipped professional. (See "Service reminder indicators and warning buzzers" on page 220.)

The message appears with the malfunction warning light.



This message is to warn the driver that the Active Torque Control 4WD is malfunctioning.

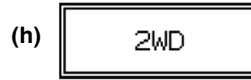
If the message appears, have the vehicle checked by an authorized Toyota dealer or repairer, or another duly qualified and equipped professional as soon as possible.



This message appears in the following cases.

- Driveline temperature is too high.
- Active Torque Control 4WD will soon be canceled to prevent the driveline from being damaged.

If this message appears while you are driving, slow down and pull off the road. Stop the vehicle at a safe place. With the engine idling, wait until the message goes off. If the message goes off, you may start the vehicle again. If the message does not go off, call an authorized Toyota dealer or repairer, or another duly qualified and equipped professional or qualified repair shop for assistance.



This message appears when the Active Torque Control 4WD system automatically shuts off the engine torque that is applied to the rear wheels to protect the driveline.

If this message appears while you are driving, slow down and pull off the road. Stop the vehicle at a safe place. With the engine idling, wait until the message goes off. If the message goes off, you may start the vehicle again. If the message does not go off, call an authorized Toyota dealer or repairer, or another duly qualified and equipped professional or qualified repair shop for assistance.



This message appears when there are problems in the charging system while the engine is running.

If the warning message appears, immediately stop the vehicle in a safe place and contact any authorized Toyota dealer or repairer, or another duly qualified and equipped professional. See "Service reminder indicators and warning buzzers" on page 220.

The message appears with the charging system warning light.



This message is to remind the driver that any of the doors are open.

The message specifies the door that is open. If the message appears, close the door securely.



This message is to warn the driver that the engine oil is too low.

If it flickers or stays on while you are driving, pull off the road to a safe place and stop the engine immediately. Call any authorized Toyota dealer or repairer, or another duly qualified and equipped professional, for assistance.

The message may occasionally flicker when the engine is idling or it may appear briefly after a hard stop. There is no cause for concern if it then goes out when the engine is accelerated slightly.

The message may come on when the oil level is extremely low. It is not designed to indicate low oil level, and the oil level must be checked using the level dipstick.

NOTICE

Do not drive the vehicle with the warning message on—even for one block. It may ruin the engine.

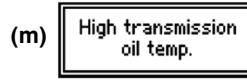


This message is to warn the driver that the amount of accumulated water in the fuel filter has reached the specified level.

If it appears, have your vehicle checked by any authorized Toyota dealer or repairer, or another duly qualified and equipped professional, as soon as possible.

NOTICE

Never drive the vehicle with the warning message on. Continued driving with water accumulated in the fuel filter will result in damage of the fuel injection pump.

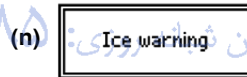


This message is to warn the driver that automatic transmission fluid temperature is too high.

If this message appears while you are driving, slow down and pull off the road. Stop the vehicle at a safe place and put the shift lever in "P". With the engine idling, wait until the message goes off. If the message goes off, you may start the vehicle again. If the message does not go off, call an authorized Toyota dealer or repairer, or another duly qualified and equipped professional or qualified repair shop for assistance.

NOTICE

Continued driving with the warning message on may result in damage of the automatic transmission.



This message reminds the driver that ice may be present on the road surface.

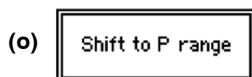
If this message appears, check the road surface and drive carefully.

Vehicles without smart entry and start system—

This message will be displayed for a certain period of time if the outside temperature is below 3°C (37°F) when the engine switch is in the "ON" position. However, if the temperature is already 3°C (37°F) or below, the message does not appear when engine switch is in the "ON" position.

Vehicles with smart entry and start system—

This message will be displayed for a certain period of time if the outside temperature is below 3°C (37°F) when the “ENGINE START STOP” switch is in IGNITION ON mode. However, if the temperature is already 3°C (37°F) or below, the message does not appear when the “ENGINE START STOP” switch is in IGNITION ON mode.

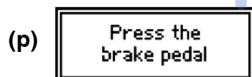


This message is to warn the driver that the transmission is not in the “P” position when leaving the vehicle.

Vehicles without smart entry and start system—If the transmission is not in the “P” position with the engine switch is in the “ON” position, the message appears when the driver’s door is opened.

Vehicles with smart entry and start system—If the transmission is not in the “P” position with the “ENGINE START STOP” switch is in IGNITION ON mode, the message appears when the driver’s door is opened.

If the message appears, put the transmission in the “P” position.



Vehicles with smart entry and start system only—

This message is to remind the driver that the brake pedal is not depressed when starting the engine.

If the message appears, depress the brake pedal firmly and press the “ENGINE START STOP” switch. For the starting procedure, see “How to start the engine” on page 410 in Section 3.



Vehicles with smart entry and start system only—

This message is to remind the driver that the clutch pedal is not depressed when starting the engine.

If the message appears, depress the clutch pedal firmly and press the “ENGINE START STOP” switch. For the starting procedure, see “How to start the engine” on page 410 in Section 3.



Vehicles with smart entry and start system only—

This message appears in the following cases:

- The key is not detected in the vehicle when the “ENGINE START STOP” switch is pushed. In this case, the above message appears for 8 seconds.
- The key is not detected in the vehicle because someone has taken the key outside of the vehicle without turning the engine off. At this time, a warning tone sounds. The above message turns off if the “ENGINE START STOP” switch is set at OFF or the key is in the vehicle.

In addition to either of the above conditions, if you get out from the vehicle, carrying the key when the shift lever is in a position other than “P” and the “ENGINE START STOP” switch is not set to OFF, “Shift to P range” and “No key detected” appear alternately.



This message is to remind the driver that the fuel level in the tank becomes nearly empty.

If the message appears, fill up the tank as soon as possible. To turn off the message, push and hold the “DISP” switch (See “Service reminder indicators and warning buzzers” on page 220.)

The message appears with the low fuel level warning light.



This message is to remind the driver to change the engine oil.

Vehicles without smart entry and start system—If the message appears, change the engine oil as soon as possible. The message stays on with the engine switch is in the “ON” position. To turn off the message, push and hold the “DISP” switch.

Vehicles with smart entry and start system—If the message appears, change the engine oil as soon as possible. The message stays on with the “ENGINE START STOP” switch is in IGNITION ON mode. To turn off the message, push and hold the “DISP” switch.

Diesel engine: The message will appear when the driving range after the previous oil change reaches 30000 km (18000 miles).

The engine oil maintenance data must be reset after the engine oil change. See “Resetting the engine oil maintenance data” below for the procedure to reset the system.

Resetting the engine oil maintenance data

The engine oil maintenance data must be reset after replacement of the engine oil. Reset the data by the following procedure:

1. Turn off the engine with the trip meter A reading shown.

For details, see “—Odometer and two trip meters” on page 208 in this Section.

2. Vehicles without smart entry and start system—The engine switch must be set at the “ON” position while holding down the “ODO/TRIP” knob. A message “Oil maintenance reset” will appear on the display.

Vehicles with smart entry and start system—The “ENGINE START STOP” switch must be set at IGNITION ON mode while holding down the “ODO/TRIP” knob. A message “Oil maintenance reset” will appear on the display.

3. Hold down the knob at least 5 seconds. The message “Oil maintenance reset” goes off.

If the data fails to reset, the message will come on again after going off. The message can be turned off by pushing and holding the “DISP” switch.



Vehicles with smart entry and start system only—

This message is to warn the driver that the electronic key battery of the smart entry and start system is low.

If the message appears, change the key battery as soon as possible to ensure that the smart entry and start system operates properly.

(v)

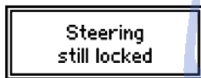


Vehicles with smart entry and start system only—

This message warns the driver that the steering lock function is malfunctioning. At this time, the amber indicator light on the "ENGINE START STOP" switch flashes.

The engine will not start in this case. Contact any authorized Toyota dealer or repairer, or another duly qualified and equipped professional as soon as possible.

(w)



Vehicles with smart entry and start system only—

This message appears when the steering lock is stuck. The message appears for 15 seconds. At this time, the green indicator light on the "ENGINE START STOP" switch flashes.

To free the steering lock, rotate the steering wheel slightly left or right while pressing the "ENGINE START STOP" switch.

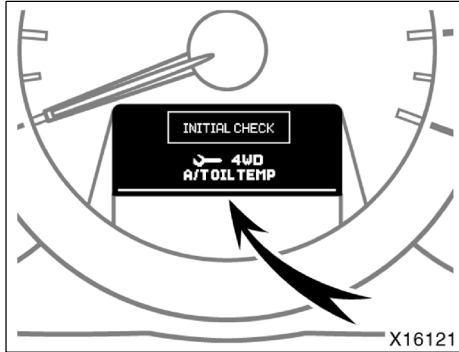
(x)



This message appears when the engine oil maintenance data is not reset.

Vehicles without smart entry and start system—If the data fails to reset, the message remains on. The message also appears when the engine switch is set at the "ON" position if the data fails to reset. The message can be turned off by pushing and holding the "DISP" switch.

Vehicles with smart entry and start system—If the data fails to reset, the message remains on. The message also appears when the "ENGINE START STOP" switch is set at IGNITION ON mode if the data fails to reset. The message can be turned off by pushing and holding the "DISP" switch.

—Checking for message










Vehicles without smart entry and start system—When the engine switch is set at the “ON” position, the above message appears. After a few seconds, the message disappears.


Vehicles with smart entry and start system—When the “ENGINE START STOP” switch is set at IGNITION ON mode, the above message appears. After a few seconds, the message disappears.

If this message does not appear, the warning messages will not function. Contact any authorized Toyota dealer or repairer, or another duly qualified and equipped professional as soon as possible.

FarmaSOS.com

Service reminder indicators and warning buzzers

If the indicator or buzzer comes on...		Do this.
(a)		If parking brake is off, stop immediately and contact any authorized Toyota dealer or repairer, or another duly qualified and equipped professional.
(b)	 (indicator and buzzer)	Fasten driver's seat belt.
(c)	PASSENGER  (indicator and buzzer)	Fasten front passenger's seat belt.
(d)		Stop immediately and contact any authorized Toyota dealer or repairer, or another duly qualified and equipped professional.
(e)		Take vehicle to any authorized Toyota dealer or repairer, or another duly qualified and equipped professional.
(f)		Fill up tank.
(g)		Take vehicle to any authorized Toyota dealer or repairer, or another duly qualified and equipped professional. If brake system warning light is also on, stop immediately and contact any authorized Toyota dealer or repairer, or another duly qualified and equipped professional.
(h)		Take vehicle to any authorized Toyota dealer or repairer, or another duly qualified and equipped professional, immediately.
(i)		Take vehicle to any authorized Toyota dealer or repairer, or another duly qualified and equipped professional, immediately.

If the indicator or buzzer comes on...		Do this.
(j)		Read a warning message on multi-information display.
(k)	Key reminder buzzer	Remove key.
(l)	Light reminder buzzer	Turn off lights.
(m)	Parking brake reminder buzzer	Release parking brake.

امداد خودرو فارما

تلفن شبانه روزی: ۰۲۱-۸۸۸۶۲۰۸۵

FarmaSOS.com

(a) Brake System Warning Light

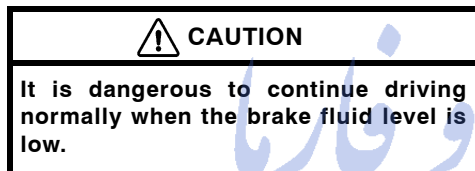
Vehicles without smart entry and start system—

This light comes on in the following cases when the engine switch is set at the “ON” position.

- **When the parking brake is applied...**

This light comes on for a few seconds when the engine switch is set at the “ON” position even after the parking brake is released.

- **When the brake fluid level is low...**



Have your vehicle checked at any authorized Toyota dealer or repairer, or another duly qualified and equipped professional, in the following cases:

- The light does not come on even if the parking brake is applied when the engine switch is set at the “ON” position.
- The light does not come on even if the engine switch is set at the “ON” position with the parking brake released.

A warning light turning on briefly during operation does not indicate a problem.

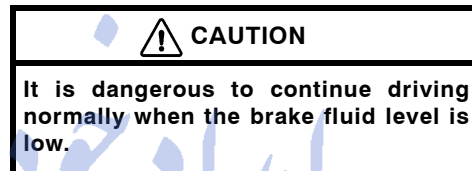
Vehicles with smart entry and start system—

This light comes on in the following cases when the “ENGINE START STOP” switch is set at IGNITION ON mode.

- **When the parking brake is applied...**

This light comes on for a few seconds when the “ENGINE START STOP” switch is set at IGNITION ON mode even after the parking brake is released.

- **When the brake fluid level is low...**



Have your vehicle checked at any authorized Toyota dealer or repairer, or another duly qualified and equipped professional, in the following cases:

- The light does not come on even if the parking brake is applied when the “ENGINE START STOP” switch is set at IGNITION ON mode.
- The light does not come on even if the “ENGINE START STOP” switch is set at IGNITION ON mode with the parking brake released.

A warning light turning on briefly during operation does not indicate a problem.

 **CAUTION**

If either of the following conditions occurs, immediately stop your vehicle at a safe place and contact any authorized Toyota dealer or repairer, or another duly qualified and equipped professional.

- The light does not turn off even after the parking brake is released and “Check brake system” appears on the multi-information display while the engine is running.

In this case, the brakes may not work properly and your stopping distance will become longer. Depress the brake pedal firmly and bring the vehicle to an immediate stop.

- The brake system warning light remains on together with the “ABS” warning light.

In this case, not only the anti-lock brake system will fail but also the vehicle will become extremely unstable during braking.

(b) Driver’s Seat Belt Reminder Light and Buzzer

The light and buzzer act as a reminder to buckle up the driver’s seat belt.

Vehicles without smart entry and start system—Once the engine switch is set at the “ON” position or engine start, the reminder light flashes if the driver’s seat belt is not fastened. Unless the driver fastens the belt, the light continues flashing.

Vehicles with smart entry and start system—Once the “ENGINE START STOP” switch is set at IGNITION ON mode or engine start, the reminder light flashes if the driver’s seat belt is not fastened. Unless the driver fastens the belt, the light continues flashing.

If the vehicle speed rises above 20 km/h (12 mph) with the seat belt unfastened, the buzzer will sound for 30 seconds. Then, if the seat belt is still unfastened, the buzzer will sound in a different tone for 90 more seconds. Even if the vehicle speed drops below 20 km/h (12 mph), the buzzer will continue to sound. To stop the buzzer, fasten the seat belt. If the buzzer still sounds, make sure the front passenger’s seat belt is fastened.

(c) Front Passenger’s Seat Belt Reminder Light and Buzzer

The light and buzzer act as a reminder to have the front passenger buckle up the seat belt.

Vehicles without smart entry and start system—Once the engine switch is set at the “ON” position or engine start, the reminder light flashes if a passenger sits in the front passenger seat and does not fasten the seat belt. Unless the front passenger fastens the belt, the light continues flashing.

Vehicles with smart entry and start system—Once the “ENGINE START STOP” switch is set at IGNITION ON mode or engine start, the reminder light flashes if a passenger sits in the front passenger seat and does not fasten the seat belt. Unless the front passenger fastens the belt, the light continues flashing.

If the vehicle speed rises above 20 km/h (12 mph) with the seat belt unfastened, the buzzer will sound for 30 seconds. Then, if the seat belt is still unfastened, the buzzer will sound in a different tone for 90 more seconds. Even if the vehicle speed drops below 20 km/h (12 mph), the buzzer will continue to sound. To stop the buzzer, fasten the seat belt. If the buzzer still sounds, make sure the driver’s seat belt is fastened.

If luggage or other load is placed on the front passenger seat, depending on its weight and how it is placed on the seat, built-in sensors in the seat cushion may detect the pressure, causing the reminder light to flash and buzzer to sound.

(d) Charging System Warning Light

Vehicles without smart entry and start system—This warning light comes on when the engine switch is set at the “ON” position, and goes off when the engine is started.

Vehicles with smart entry and start system—This warning light comes on when the “ENGINE START STOP” switch is set at IGNITION ON mode, and goes off when the engine is started.

When there are problems in the charging system while the engine is running, the warning light comes on.

If the charging system warning light comes on, “Check battery” appears on the multi-information display. Depending on the conditions a warning tone may sound.

NOTICE

When the charging system warning light comes on while the engine is running, malfunctions such as the engine drive belt being broken may have occurred. If the warning light comes on, immediately stop the vehicle in a safe place and contact any authorized Toyota dealer or repairer, or another duly qualified and equipped professional.

(e) Malfunction Indicator Lamp

Gasoline-powered vehicles

This lamp comes on in the following cases.

- On some models: The fuel tank is completely empty. (See “Fuel gauge” on page 198 in this Section for instructions.)
- There is a problem somewhere in your engine electrical system, automatic transmission or Multidrive electrical system or electronic throttle control system.

If it comes on while you are driving in case b, have your vehicle checked/repared by any authorized Toyota dealer or repairer, or another duly qualified and equipped professional, as soon as possible.

If engine speed does not increase when the accelerator pedal is depressed, there may be a problem somewhere in your electronic throttle control system.

At this time, vibration may occur. However, if you depress the accelerator pedal more firmly and slowly, you can drive your vehicle at low speeds. Have your vehicle checked by any authorized Toyota dealer or repairer, or another duly qualified and equipped professional, as soon as possible.

Even if the abnormality of the electronic throttle control system is corrected during low speed driving, the system may not be recovered until the engine is stopped and the engine off.

CAUTION

Be especially careful to prevent erroneous pedal operation.

If the malfunction warning light comes on, "Check engine system" appears on the multi-information display. Depending on the conditions a warning tone may sound.

Diesel-powered vehicles

This lamp warns that there is a problem somewhere in the engine electrical system, electronic engine control system or emission control system.

If it comes on while you are driving, have your vehicle checked/repared by any authorized Toyota dealer or repairer, or another duly qualified and equipped professional, as soon as possible.

If engine speed does not increase when the accelerator pedal is depressed, there may be a problem somewhere in the electronic engine control system. Stop the vehicle and contact any authorized Toyota dealer or repairer, or another duly qualified and equipped professional, or take your vehicle carefully, since the vehicle performance will be lower than normal, to any authorized Toyota dealer or repairer, or another duly qualified and equipped professional, as soon as possible.

Even if the abnormality in the electronic engine control system is corrected during low speed driving, the system may not recover until the engine is stopped and the engine off.

If the malfunction warning light comes on, "Check engine system" appears on the multi-information display. Depending on the conditions a warning tone may sound.

(f) Low Fuel Level Warning Light

This light comes on when the fuel level in the tank becomes nearly empty. Fill up the tank as soon as possible.

On inclines or curves, due to the movement of fuel in the tank, the low fuel level warning light may come on earlier than usual.

If the low fuel level warning light comes on, "Low fuel" appears on the multi-information display. Depending on the conditions a warning tone may sound.

(g) "ABS" Warning Light**Vehicles without VSC+ system—**

Vehicles without smart entry and start system—The light comes on when the engine switch is set at the "ON" position. If the anti-lock brake system works properly, the light turns off after a few seconds. Thereafter, if the system malfunctions, the light comes on again.

Vehicles with smart entry and start system—The light comes on when the "ENGINE START STOP" switch is set at IGNITION ON mode. If the anti-lock brake system works properly, the light turns off after a few seconds. Thereafter, if the system malfunctions, the light comes on again.

When the "ABS" warning light is on (and the brake system warning light is off), the anti-lock brake system does not operate, but the brake system still operates conventionally.

When the "ABS" warning light is on (and the brake system warning light is off), the anti-lock brake system does not operate so that the wheels could lock up during a sudden braking or braking on slippery road surfaces.

If the "ABS" warning light comes on, "Check ABS system" appears on the multi-information display. Depending on the conditions a warning tone may sound.

If either of the following conditions occurs, this indicates a malfunction somewhere in the components monitored by the warning light system. Contact any authorized Toyota dealer or repairer, or another duly qualified and equipped professional, as soon as possible to service the vehicle.

- Vehicles without smart entry and start system—The light does not come on when the engine switch is set at the “ON” position, or remains on.

Vehicles with smart entry and start system—The light does not come on when the “ENGINE START STOP” switch is set at IGNITION ON mode, or remains on.

- The light comes on while you are driving.

A warning light turning on briefly during operation does not indicate a problem.



CAUTION

If the “ABS” warning light remains on together with the brake system warning light, immediately stop your vehicle at a safe place and contact any authorized Toyota dealer or repairer, or another duly qualified and equipped professional.

In this case, not only the anti-lock brake system will fail but also the vehicle will become extremely unstable during braking.

Vehicles with VSC+ system—

Vehicles without smart entry and start system—The light comes on when the engine switch is set at the “ON” position. If the anti-lock brake system and the brake assist system work properly, the light turns off after a few seconds. Thereafter, if either of the systems malfunctions, the light comes on again.

Vehicles with smart entry and start system—The light comes on when the “ENGINE START STOP” switch is set at IGNITION ON mode. If the anti-lock brake system and the brake assist system work properly, the light turns off after a few seconds. Thereafter, if either of the systems malfunctions, the light comes on again.

When the “ABS” warning light is on (and the brake system warning light is off), the following systems do not operate, but the brake system still operates conventionally.

- Anti-lock brake system
- Brake assist system
- Traction control system
- “AUTO LSD” function
- VSC+ system
- Downhill assist control system
- Hill-start assist control system

When the “ABS” warning light is on (and the brake system warning light is off), the anti-lock brake system does not operate so that the wheels could lock up during a sudden braking or braking on slippery road surfaces.

If the “ABS” warning light comes on, “Check ABS system” appears on the multi-information display. Depending on the conditions a warning tone may sound.

If either of the following conditions occurs, this indicates a malfunction somewhere in the components monitored by the warning light. Contact any authorized Toyota dealer or repairer, or another duly qualified and equipped professional, as soon as possible to service the vehicle.

- Vehicles without smart entry and start system—The light does not come on when the engine switch is set at the “ON” position, or remains on.

Vehicles with smart entry and start system—The light does not come on when the “ENGINE START STOP” switch is set at IGNITION ON mode, or remains on.

- The light comes on while you are driving.

A warning light turning on briefly during operation does not indicate a problem.

 **CAUTION**

If the “ABS” warning light remains on together with the brake system warning light, immediately stop your vehicle at a safe place and contact any authorized Toyota dealer or repairer, or another duly qualified and equipped professional.

In this case, not only the anti-lock brake system will fail but also the vehicle will become extremely unstable during braking.

(h) SRS Warning Light

Vehicles without smart entry and start system—This indicator comes on when the engine switch is set at the “ON” position. It goes off after about 6 seconds. This means the SRS airbags and front seat belt pretensioners are operating properly.

Vehicles with smart entry and start system—This indicator comes on when the “ENGINE START STOP” switch is set at IGNITION ON mode. It goes off after about 6 seconds. This means the SRS airbags and front seat belt pretensioners are operating properly.

This warning light system monitors the airbag sensor assembly, front airbag sensors, side and curtain shield airbag sensors, curtain shield airbag sensors, driver’s seat position sensor, driver’s seat belt buckle switch, front passenger airbag manual on-off switch, front passenger airbag on-off indicator light, seat belt pretensioner assemblies, inflators, interconnecting wiring and power sources.

If any of the following conditions occurs, this indicates a malfunction of the airbags or seat belt pretensioners. Contact any authorized Toyota dealer or repairer, or another duly qualified and equipped professional, as soon as possible.

- Vehicles without smart entry and start system—The light does not come on when the engine switch is set at the “ON” position or remains on for more than 6 seconds.
- Vehicles with smart entry and start system—The light does not come on when the “ENGINE START STOP” switch is set at IGNITION ON mode or remains on for more than 6 seconds.
- The light comes on while driving.

If the SRS warning light comes on, “Check AIRBAG system” appears on the multi-information display. Depending on the conditions a warning tone may sound.

(i) Electric Power Steering System Warning Light

Vehicles without smart entry and start system—The light comes on when the engine switch is in the “ON” position. If the electric power steering system warning light works properly, the light turns off after the engine is started, or after a few seconds. If the system has malfunctions, the light comes on again.

Vehicles with smart entry and start system—The light comes on when the “ENGINE START STOP” switch is in IGNITION ON mode. If the electric power steering system warning light works properly, the light turns off after the engine is started, or after a few seconds. If the system has malfunctions, the light comes on again.

If the following conditions occur, this indicates a malfunction somewhere in the components monitored by the warning light system. Contact any authorized Toyota dealer or repairer, or another duly qualified and equipped professional, as soon as possible to service the vehicle.

- Vehicles without smart entry and start system—The light does not come on when the engine switch is turned to the “ON” position or remains on.
- Vehicles with smart entry and start system—The light does not come on when the “ENGINE START STOP” switch is in IGNITION ON mode or remains on.
- The light stays on while you are driving.

 **CAUTION**

If the electric power steering system warning light comes on, take your vehicle to any authorized Toyota dealer or repairer, or another duly qualified and equipped professional, as soon as possible. In this case, more effort is required for the steering wheel to turn than usual. Drive your vehicle while firmly gripping the steering wheel.

(j) Master Warning Light

If the master warning light comes on, a message appears on the multi-information display. Depending on the conditions a warning tone may sound.

(k) Key Reminder Buzzer (vehicles without smart entry and start system)

This buzzer acts as a reminder to remove the key when you open the driver's door with the engine off.

(l) Light Reminder Buzzer

This buzzer will sound if the headlight switch is left on and the driver's door is opened with the key removed from the engine switch.

(m) Parking Brake Reminder Buzzer

The buzzer acts once when the parking brake is not completely released at the vehicle speed of 5 km/h (3 mph) or more. Stop the vehicle and release the parking brake fully.

CHECKING SERVICE REMINDER INDICATORS (except the low fuel level warning light and master warning light)

1. Apply the parking brake.
2. Vehicles without smart entry and start system—Set the engine switch at the “ON” position, but do not start the engine.

Vehicles with smart entry and start system—Set the “ENGINE START STOP” switch at IGNITION ON mode, but do not start the engine.

All the service reminder indicators should come on.

The following service reminder indicators go off after a few seconds:

- “ABS” warning light
- VSC OFF indicator light
- Slip indicator light
- “AUTO LSD” indicator light
- Four-wheel drive lock indicator light
- Downhill assist control system indicator light

The SRS warning light goes off after about 6 seconds.

If any service reminder indicator or warning buzzer does not function as described above, have it checked by any authorized Toyota dealer or repairer, or another duly qualified and equipped professional, as soon as possible.

امداد خودرو فارما

تلفن شبانه روزی: ۰۲۱-۸۸۸۶۲۰۸۵

FarmaSOS.com

Section 1-7 OPERATION OF INSTRUMENTS AND CONTROLS

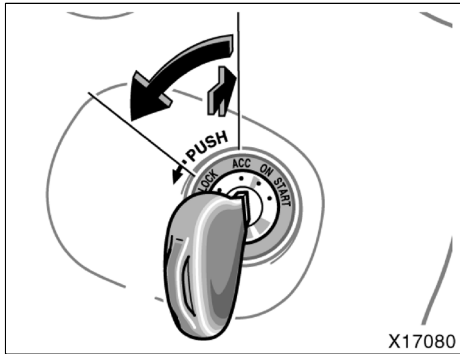
Engine (ignition) switch, Transmission and Parking brake

- Engine (ignition) switch 232
- Automatic transmission 234
- Multidrive 249
- Manual transmission 257
- Active Torque Control 4WD system 260
- Traction control system 262
- Vehicle stability control+ (VSC+) system 267
- Downhill assist control system 270
- Hill-start assist control system 274
- Parking brake 276
- Cruise control 277

تلفن شبانه روزی: ۰۲۱-۸۸۶۲۰۸۵

FarmaSOS.com

Engine (ignition) switch (without smart entry and start system)



“START”—Starter motor on. The engine switch will return to the **“ON”** position when released.

For starting tips, see page 409 in Section 3.

“ON”—Engine on and all accessories on.

Diesel engine—Before starting, glow plugs on and engine preheating.

This is the normal driving position.

“ACC”—Accessories such as the radio operate, but the engine is off.

If you leave the engine switch in the **“ACC”** or **“LOCK”** position and open the driver’s door, a buzzer will remind you to remove the key.

“LOCK”—Engine is off and the steering wheel is locked. The key can be removed only at this position.

You must push in the key to turn the engine switch from the **“ACC”** to the **“LOCK”** position. On vehicles with an automatic transmission or Multidrive, the shift lever must be put in the **“P”** position before pushing the key.

Once you remove the key, the engine immobilizer system is automatically set. (See **“Engine immobilizer system”** on page 27 in Section 1–2.)

When starting the engine, the engine switch may seem stuck at the **“LOCK”** position. To free it, first be sure the key is pushed all the way in, and then rotate the steering wheel slightly while turning the key gently.

It is not a malfunction if the needle on all meters and gauges move slightly when the engine switch is turned to the **“ON”** or **“START”** position.

CAUTION

- Always start the engine while sitting in the driver’s seat. Do not press the accelerator while starting the engine under any circumstances. Doing so may cause an accident resulting in death or serious injury.

- Do not turn the engine switch to the **“LOCK”** position while driving. If, in an emergency, you must turn the engine off while the vehicle is moving, turn the key only to the **“ACC”** position.

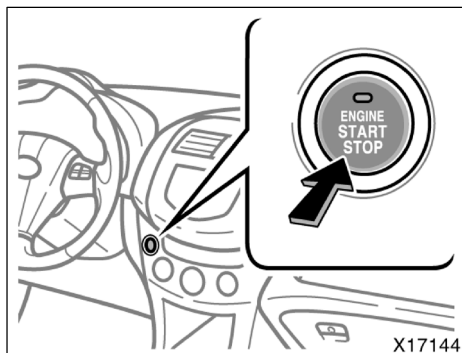
- For manual transmission:

Never remove the key from the engine switch when the vehicle is moving, as this will lock the steering wheel and result in loss of steering control.

NOTICE

Do not leave the engine switch in the **“ON” position if the engine is not running. The battery will discharge and the ignition could be damaged.**

Engine (ignition) switch (with smart entry and start system)



When the key is in the vehicle, pressing the “ENGINE START STOP” switch allows you to start and stop the engine or choose ACCESSORY, IGNITION ON mode or OFF.

When the brake pedal and clutch pedal (manual transmission) are not depressed, pressing the “ENGINE START STOP” switch changes the mode as follows. Press the “ENGINE START STOP” switch slowly and firmly.

First time—ACCESSORY mode (illuminate amber)

Accessories such as the radio operate.

Second time—IGNITION ON mode (illuminate amber)

All accessories on.

Third time—OFF (indicator light off)

Pressing the “ENGINE START STOP” switch a fourth time returns it to ACCESSORY.

When the “ENGINE START STOP” switch is changed from IGNITION ON mode (with the engine off) to off and then changed to ACCESSORY mode, “Press the brake pedal” (automatic transmission or Multidrive) or “Press the clutch pedal” (manual transmission) is appeared on the multi-information display.

If a buzzer sounds when pressing the “ENGINE START STOP” switch, this indicates that the key is not in the vehicle. The “No key detected” message will also appear on the multi-information display.

If the brake pedal and clutch pedal (manual transmission) are depressed, the indicator light will turn green, regardless of which mode is selected. When the indicator light is green, pressing the “ENGINE START STOP” switch once starts the engine. (For starting tips, see “How to start the engine” on page 410 in Section 3.)

If the amber indicator light on the “ENGINE START STOP” switch blinks, this indicates a malfunction of the push start system. Turn off the engine immediately and contact any authorized Toyota dealer or repairer, or another duly qualified and equipped professional.

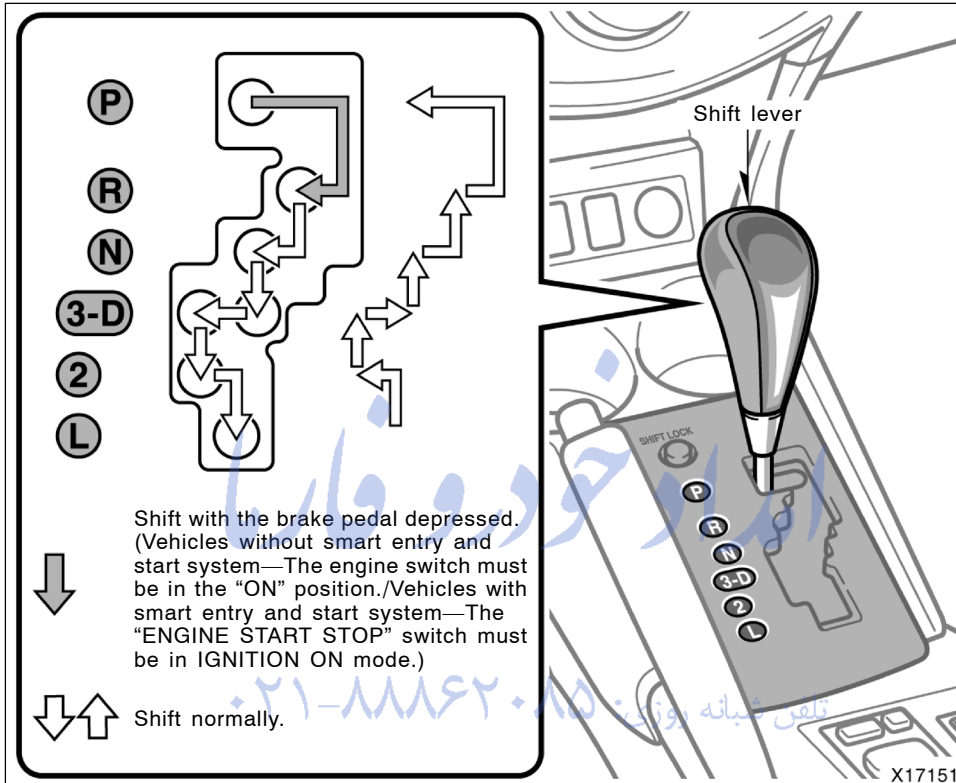
It is not a malfunction if the needle on all meters and gauges move slightly when the “ENGINE START STOP” switch is set to ACCESSORY, IGNITION ON mode or when the engine starts.

NOTICE

Do not leave the “ENGINE START STOP” switch at IGNITION ON mode if the engine is not running. The battery will discharge and the ignition could be damaged.

When the battery is disconnected or run down, the push button start function memorizes the current mode. After you reconnect, replace, or recharge the battery, the memorized mode is selected automatically. In any of these cases, turn off the engine if the engine comes on.

Automatic transmission (4-speed)



Your automatic transmission has a shift lock system to minimize the possibility of incorrect operation. This means you can only shift out of “P” position when the brake pedal is depressed (with the engine switch [vehicles without smart entry and start system] is set at the “ON” position or the “ENGINE START STOP” switch [vehicles with smart entry and start system] is set at IGNITION ON mode).

(a) Shift lever

The shift position is also displayed on the instrument cluster.

- P:** Parking, engine starting and key removal
- R:** Reverse
- N:** Neutral
- D:** Normal driving
(shifting into overdrive possible)
- 3:** Engine braking
(shifting into overdrive not possible)
- 2:** Stronger engine braking
- L:** Maximum engine braking

(b) Normal driving

1. Start the engine as instructed in "How to start the engine" on page 410 in Section 3. The transmission must be in "P" or "N".
2. With your foot holding down the brake pedal, shift the shift lever to "D".

When the lever is in the "D" position, the automatic transmission system will select a suitable gear for running conditions such as normal cruising, hill climbing, hard towing, etc.

Always use the "D" position for better fuel economy and quieter driving. If the engine coolant temperature is low, the transmission will not shift into the overdrive gear even in the "D" position.

 **CAUTION**

Never put your foot on the accelerator pedal while shifting.

3. Release the parking brake and brake pedal. Depress the accelerator pedal slowly for smooth starting.

(c) Using engine braking

To use engine braking, you can downshift the transmission as follows:

- Shift into the "3" position. The transmission will downshift to third gear and engine braking will be enabled.
- Shift into the "2" position. The transmission will downshift to second gear when the vehicle speed drops down to or lower than 102 km/h (63 mph), and stronger engine braking will be enabled.
- Shift into the "L" position. The transmission will downshift to first gear when the vehicle speed drops down to or lower than 48 km/h (30 mph), and maximum engine braking will be enabled.

Vehicles with cruise control—When the cruise control is being used, even if you downshift from "D" to "3", engine braking will not be enabled because the cruise control is not cancelled.

For ways to decrease the vehicle speed, see "Cruise control" on page 277 in this Section.

 **CAUTION**

Be careful when downshifting on a slippery surface. Abrupt shifting could cause the vehicle to skid or spin.

(d) Using the “2” and “L” positions

The “2” and “L” positions are used for strong engine braking as described previously.

With the shift lever in “2” or “L”, you can start the vehicle in motion as with the lever in “D”.

With the shift lever in “2”, the vehicle will start in first gear and automatically shift to second gear.

With the shift lever in “L”, the transmission is engaged in first gear.

NOTICE
<p>◆ Be careful not to over-rev the engine. Watch the tachometer to keep engine rpm from going into the red zone. The approximate maximum allowable speed for each position is given below for your reference.</p> <p>“2” 113 km/h (70 mph) “L” 63 km/h (39 mph)</p> <p>◆ Do not continue hill climbing or hard towing for a long time in the “2” or “L” position. This may cause severe automatic transmission damage from overheating. To prevent such damage, “3” position should be used in hill climbing or hard towing.</p>


(e) Backing up

1. Bring the vehicle to a complete stop.
2. With the brake pedal held down with your foot, shift the shift lever to the “R” position.

NOTICE
<p>Never shift into reverse while the vehicle is moving.</p>

(f) Parking

1. Bring the vehicle to a complete stop.
2. Pull the parking brake lever up fully to securely apply the parking brake.
3. With the brake pedal pressed down, shift the shift lever to the “P” position.

 CAUTION
<p>Never attempt to move the shift lever into “P” position under any circumstances while the vehicle is moving. Serious mechanical damage and loss of vehicle control may result.</p>

(g) Good driving practice

- If the transmission repeatedly shifts up and down between third gear and overdrive when climbing a gentle slope, shift the shift lever to the “3” position. Be sure to shift the shift lever to the “D” position immediately afterward.
- When towing a trailer, in order to maintain engine braking efficiency, do not use “D” position.

⚠ CAUTION

Always keep your foot on the brake pedal while stopped with the engine running. This prevents the vehicle from creeping.

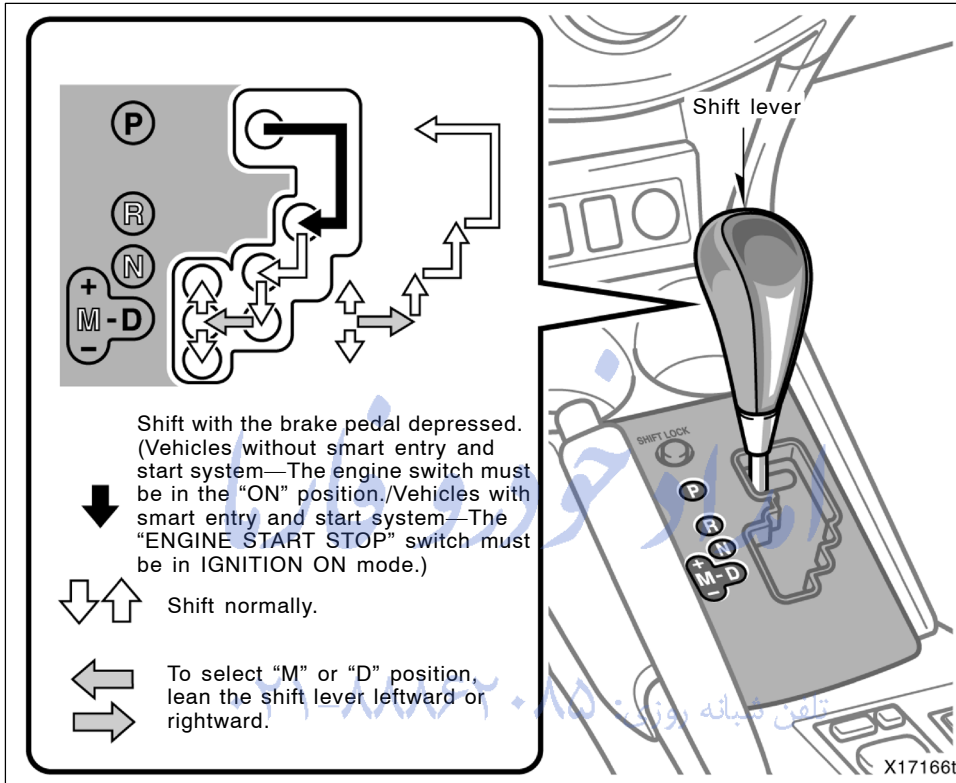
NOTICE

Always use the brake pedal or the parking brake to hold the vehicle on an upgrade. Do not attempt to hold the vehicle using the accelerator pedal, as this can cause the transmission to overheat.

(h) If you cannot shift the shift lever out of “P” position

If you cannot shift the shift lever from the “P” position even though the brake pedal is depressed, use the shift lock override button. For instructions, see “If you cannot shift shift lever” on page 482 in Section 4.

Automatic transmission (6-speed)



Your automatic transmission has a shift lock system to minimize the possibility of incorrect operation. This means you can only shift out of “P” position when the brake pedal is depressed (with the engine switch [vehicles without smart entry and start system] is set at the “ON” position or the “ENGINE START STOP” switch [vehicles with smart entry and start system] is set at IGNITION ON mode).

(a) Shift lever

The shift position is also displayed on the instrument cluster.

- P:** Parking, engine starting and key removal
- R:** Reverse
- N:** Neutral
- D:** Normal driving (shift into overdrive possible)
- M:** “M” mode driving
 - +: Upshifting
 - : Downshifting

(b) Normal driving

1. Start the engine as instructed in "How to start the engine" on page 410 in Section 3. The transmission must be in "P" or "N".
2. With your foot holding down the brake pedal, shift the shift lever to "D".

When the lever is in the "D" position, the automatic transmission system will select a suitable gear for running conditions such as normal cruising, hill climbing, hard towing, etc.

Always use the "D" position for better fuel economy and quieter driving. In this position, shifting into the overdrive gear is possible.

**CAUTION**

Never put your foot on the accelerator pedal while shifting.

3. Release the parking brake and brake pedal. Depress the accelerator pedal slowly for smooth starting.

AI (Artificial Intelligence) shifting control—

AI shifting control selects the most suitable shift range automatically according to the driver's operation and driving condition.

AI shifting control operates automatically with the shift lever in the "D" position. When in "M" mode, this function will be cancelled.

● Shifting control on the slope:

On inclines, you can drive smoothly with reduced shifting quantity. On declines, the vehicle will shift down automatically to obtain optimum engine braking and reduce the driver's foot braking load.

● Automatic shifting point change control:

The most suitable shift range is selected depending on the driver's accelerator pedal operation and vehicle condition.

Paddle shift switches

While the shift lever is in the “D” position, engine braking force can be temporarily switched to.

By firstly operating the “-” paddle shift switch, the “-” and “+” switches can be used to freely switch the shift range.

Changing the shift range allows restriction of the highest gear, preventing unnecessary upshifting and enabling the level of engine braking force to be selected.

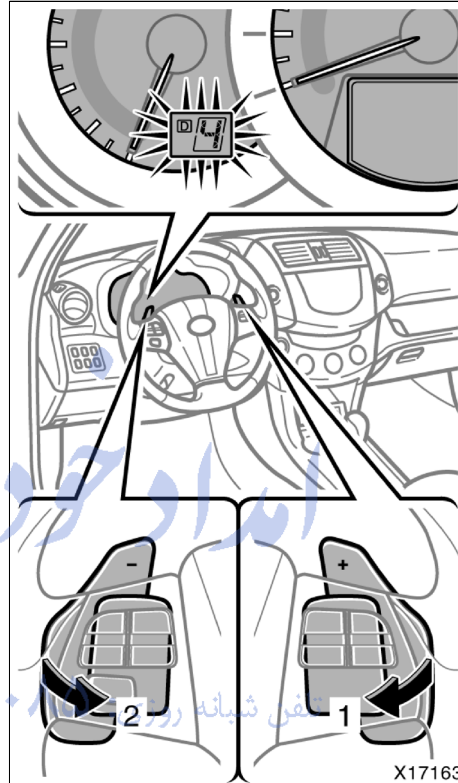
When operating the paddle shift switches in the “D” position, “D” and the selected gear is displayed in the shift position indicator.

This mode is canceled in the following situations:

- When the “+” paddle shift switch is pulled for more than one second
- When you accelerate for more than the fixed time in the same shift position
- When the vehicle is stopped

Also, if the shift lever is moved into the “M” position while in this mode, the transmission will be put into “M” mode.

If the shift position indicator flashes or a warning buzzer sounds (except during operation of the paddle shift switches), there may be a problem in the system. Have your vehicle checked/repared by any authorized Toyota dealer or repairer, or another duly qualified and equipped professional as soon as possible. In this case, you can drive in the same condition as in the “D” position.



1: Upshift range

2: Downshift range

X17163

Shift range positions

- **“D6” (Sixth range):**
The most suitable gear is selected automatically between first and overdrive (sixth) gears according to the vehicle speed or driving conditions.
- **“D5” (Fifth range):**
The most suitable gear is selected automatically between first and fifth gears according to vehicle speed or driving conditions. This range is suitable for acceleration such as when you want to pass a vehicle running ahead of you during high speed driving.
- **“D4” (Fourth range):**
The most suitable gear is selected automatically between first and fourth gears according to the vehicle speed or driving conditions. Slight engine braking will be obtained on a downhill road. Smooth running with less shifting will be obtained on an uphill road.
- **“D3” (Third range):**
The most suitable gear is selected automatically between first and third gears according to the vehicle speed or driving conditions. This range is to be used when stronger engine braking is necessary.
- **“D2” (Second range):**
First or second gear will be selected automatically according to the vehicle speed or driving conditions. This range is to be used when engine braking stronger than that of the “3” range position is necessary.
- **“D1” (First range):**
The gear is fixed in first regardless of vehicle speed or driving conditions. This range is to be used when maximum engine braking is necessary.

Downshift restriction warning buzzer

To help ensure safety and driving performance, downshifting operation may sometimes be restricted. In some circumstances, downshifting may not be possible even when the shift lever is operated. (The buzzer will sound twice.)

(c) Driving in “M” mode**Using the shift lever—**

You can change the gear in the “M” mode. The gear can be switched between “M6” (sixth gear) and “M1” (first gear) by moving the shift lever up to the “+” side or down to the “-” side.

Using the paddle shift switches—

You can change the gear in “M” mode. The gear can be changed from “M6” (sixth gear) through to “M1” (first gear) by operating the “+” and “-” paddle shift switches.

When in “M” mode, “M” and the selected gear is displayed in the shift position indicator.

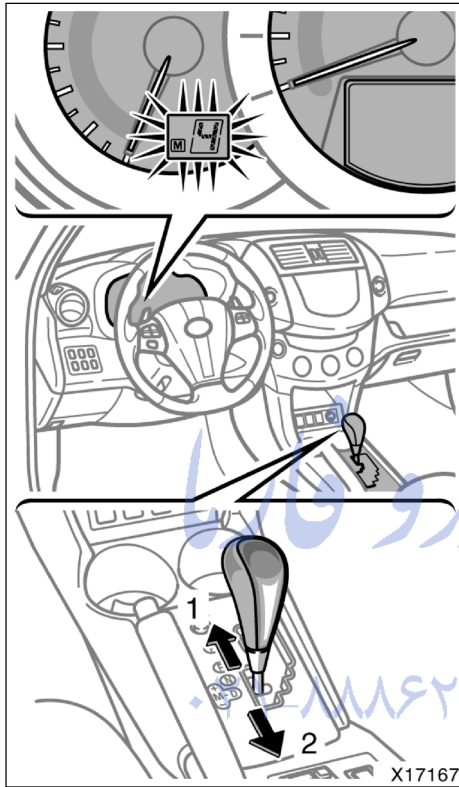
When driving in the “M” mode, the gear will not change unless the shift lever or paddle shift switches are operated. However, the gears will be automatically changed in the following situations:

- When the engine speed is too high or too low
- When the vehicle speed drops (downshift only)
- When the transmission fluid temperature is extremely high (upshift only)

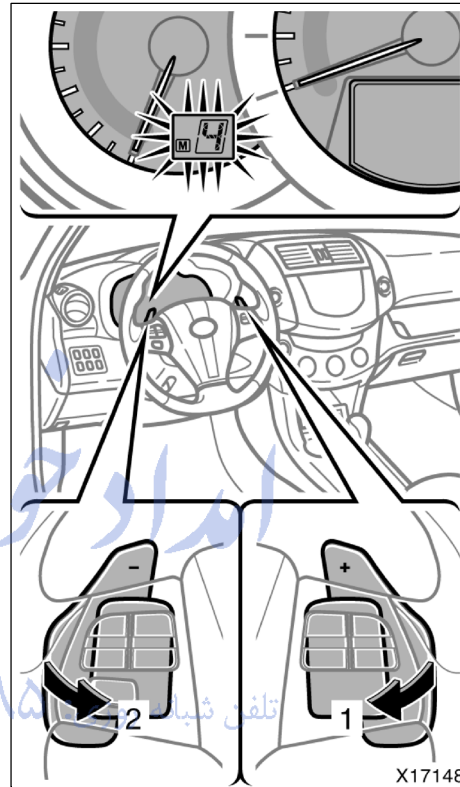
If the shift position indicator flashes or a warning buzzer sounds (except during operation of the shift lever or paddle shift switches), there may be a problem in the system.

Vehicles without smart entry and start system—When the “M” mode indicator light does not come on even with the shift lever moved to the “M” position, there may be a problem somewhere in the system. Have your vehicle checked/repared by any authorized Toyota dealer or repairer, or another duly qualified and equipped professional as soon as possible. In this case, you can drive in the same condition as in the “D” position. However, within a few seconds of turning the engine switch to the “ON” position, the transmission will not go into “M” mode if the shift lever is moved to the “M” position. This is because a system check is being performed. In this case, wait a moment and then try moving the shift lever to the “M” position again.

Vehicles with smart entry and start system—When the “M” mode indicator light does not come on even with the shift lever moved to the “M” position, there may be a problem somewhere in the system. Have your vehicle checked/repared by any authorized Toyota dealer or repairer, or another duly qualified and equipped professional as soon as possible. In this case, you can drive in the same condition as in the “D” position. However, within a few seconds of turning the “ENGINE START STOP” switch to IGNITION ON mode, the transmission will not go into “M” mode if the shift lever is moved to the “M” position. This is because a system check is being performed. In this case, wait a moment and then try moving the shift lever to the “M” position again.



Shift lever



Paddle shift switch

- 1: Upshifting
2: Downshifting

Gear functions

- **“M6” (Sixth gear):**
The gear is fixed at sixth gear.
- **“M5” (Fifth gear):**
The gear is fixed at fifth gear.
- **“M4” (Fourth gear):**
The gear is fixed at fourth gear.
- **“M3” (Third gear):**
The gear is fixed at third gear.
- **“M2” (Second gear):**
The gear is fixed at second gear.
- **“M1” (First gear):**
The gear is fixed at first gear.

Downshift restriction warning buzzer

To help ensure safety and driving performance, downshifting operation may sometimes be restricted. In some circumstances, downshifting may not be possible even when the shift lever is operated. (The buzzer will sound twice.)

Automatic transmission fluid temperature warning message

If the automatic transmission fluid temperature warning message appears on the multi-information display while driving, make sure you return to normal “D” position driving and reduce speed by easing off the accelerator pedal. Stop the vehicle in a safe place, shift the shift lever to the “P” position and let the engine idle until the warning message is extinguished.

When the warning message is no longer shown, the vehicle can be driven again. If the warning message is not extinguished even after a short time, have your vehicle inspected by any authorized Toyota dealer or repairer, or another duly qualified and equipped professional.

(d) Using engine braking

To use engine braking, you can downshift the transmission as follows:

Using engine braking in the “M” position—

- Shift the shift lever to the “M” position.

When driving in the “M6” gear—

Move the shift lever down to the “-” side or operate the “-” paddle shift switch to select the “M5” gear.

The transmission will downshift to fifth gear when the vehicle speed drops down to or lower than 196 km/h (122 mph), and engine braking will be enabled.

- Move the shift lever down to the “-” side or operate the “-” paddle shift switch to select the “M4” gear. The transmission will downshift to fourth gear when the vehicle speed drops down to or lower than 139 km/h (86 mph), and stronger engine braking will be enabled.

- Move the shift lever down to the “-” side or operate the “-” paddle shift switch to select the “M3” gear. The transmission will downshift to third gear when the vehicle speed drops down to or lower than 98 km/h (61 mph), and more powerful engine braking than that of the “M4” gear position will be enabled.

- Move the shift lever down to the “-” side or operate the “-” paddle shift switch to select the “M2” gear. The transmission will downshift to second gear when the vehicle speed drops down to or lower than 73 km/h (45 mph), and more powerful engine braking will be enabled.

- Move the shift lever down to the “-” side or operate the “-” paddle shift switch to select the “M1” gear. The downshift to first gear when the vehicle speed drops down to or lower than 41 km/h (25 mph), and maximum engine braking will be enabled.

تلفن شبانه روزی: ۰۲۱-۸۸۸۶۲۰۸۵

FarmaSOS.com

Using engine braking in the “D” position—

- Firstly, operate the “-” paddle shift switch.

When driving in the “D6” range—

Operate the “-” paddle shift switch to select the “D5” range.

The transmission will downshift to fifth range when the vehicle speed drops down to or lower than 196 km/h (122 mph), and engine braking will be enabled.

Vehicles with cruise control—when the cruise control is being used, even if you downshift the transmission, engine braking will not be enabled because the cruise control is not cancelled.

For ways to decrease the vehicle speed, see “Cruise control” on page 277 in this Section.

- Operate the “-” paddle shift switch to select the “D4” range. The transmission will downshift to fourth range when the vehicle speed drops down to or lower than 139 km/h (86 mph), and stronger engine braking will be enabled.

Vehicles with cruise control—when the cruise control is being used, even if you downshift the transmission, engine braking will not be enabled because the cruise control is not cancelled.

For ways to decrease the vehicle speed, see “Cruise control” on page 277 in this Section.

- Operate the “-” paddle shift switch to select the “D3” range. The transmission will downshift to third range when the vehicle speed drops down to or lower than 98 km/h (61 mph), and more powerful engine braking than that of the “D4” range position will be enabled.
- Operate the “-” paddle shift switch to select the “D2” range. The transmission will downshift to second range when the vehicle speed drops down to or lower than 73 km/h (45 mph), and more powerful engine braking will be enabled.
- Operate the “-” paddle shift switch to select the “D1” range. The downshift to first range when the vehicle speed drops down to or lower than 41 km/h (25 mph), and maximum engine braking will be enabled.

 **CAUTION**

Be careful when downshifting on a slippery surface. Abrupt shifting could cause the vehicle to skid or spin.

(e) Backing up

1. Bring the vehicle to a complete stop.
2. With the brake pedal held down with your foot, shift the shift lever to the "R" position.

NOTICE

Never shift into reverse while the vehicle is moving.

Vehicles with rear view monitor system—When the shift lever is shifted into "R" position with the engine switch (vehicles without smart entry and start system) is set at the "ON" position or the "ENGINE START STOP" switch (vehicles with smart entry and start system) is set at IGNITION ON mode, rear view monitor system will activate. For instructions, see "Rear view monitor system" on page 356 in Section 1-10.

(f) Parking

1. Bring the vehicle to a complete stop.
2. Pull the parking brake lever up fully to securely apply the parking brake.
3. With the brake pedal pressed down, shift the shift lever to the "P" position.

CAUTION

Never attempt to move the shift lever into "P" position under any circumstances while the vehicle is moving. Serious mechanical damage and loss of vehicle control may result.

(g) Good driving practice

- If the transmission repeatedly shifts up and down between fourth gear and overdrive when climbing a gentle slope, shift the shift lever into sequential position.
- When towing a trailer, in order to maintain engine braking efficiency, do not use overdrive.

CAUTION

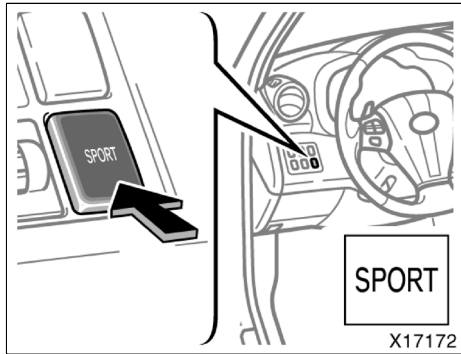
Always keep your foot on the brake pedal while stopped with the engine running. This prevents the vehicle from creeping.

NOTICE

Always use the brake pedal or the parking brake to hold the vehicle on an upgrade. Do not attempt to hold the vehicle using the accelerator pedal, as this can cause the transmission to overheat.

(h) If you cannot shift the shift lever out of "P" position

If you cannot shift the shift lever from "P" position even though the brake pedal is depressed, use the shift lock override button. For instructions, see "If you cannot shift shift lever" on page 482 in Section 4.

**“SPORT” MODE**

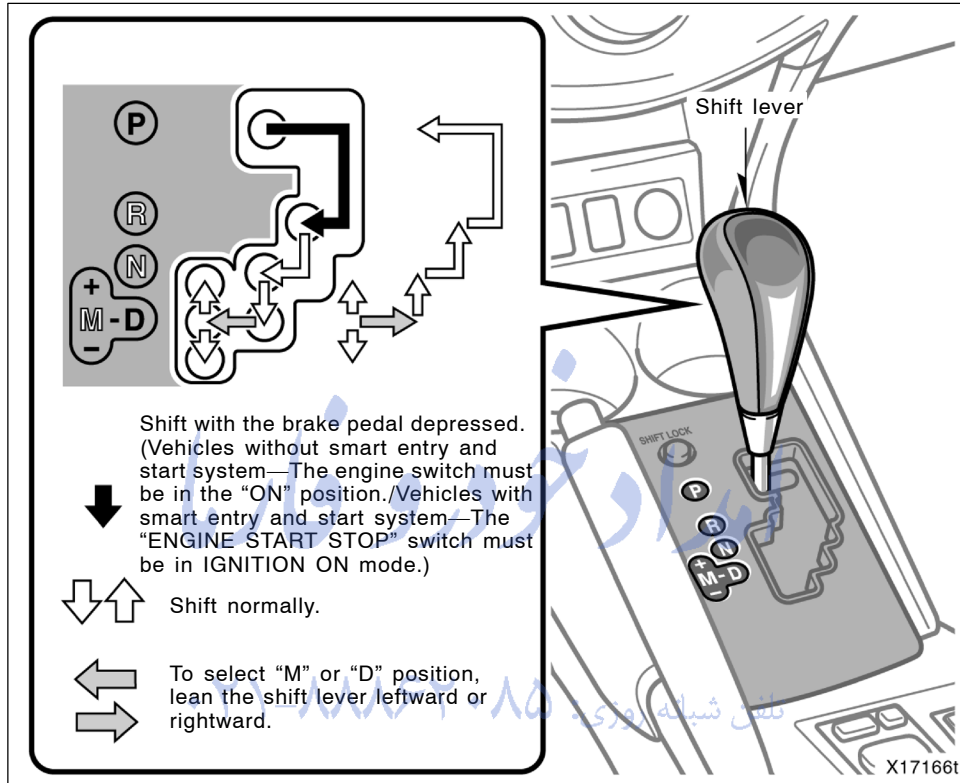
Push the “SPORT” mode switch to turn the “SPORT” mode on. The “SPORT” indicator light will come on.

The “SPORT” mode can be used for powerful acceleration and driving in mountainous regions.

To cancel the “SPORT” mode, push the “SPORT” mode switch again.

Once the engine is turned off, the “SPORT” mode will be automatically cancelled.

Multidrive



Your Multidrive has a shift lock system to minimize the possibility of incorrect operation. This means you can only shift out of “P” position when the brake pedal is depressed (with the engine switch [vehicles without smart entry and start system] is set at the “ON” position or the “ENGINE START STOP” switch [vehicles with smart entry and start system] is set at IGNITION ON mode).

(a) Shift lever

The shift position is also displayed on the instrument cluster.

- P:** Parking, engine starting and key removal
- R:** Reverse
- N:** Neutral
- D:** Normal driving (shift into overdrive possible)
- M:** 7-Speed Sport Sequential Shiftmatic mode
 - +**: Upshifting
 - : Downshifting

(b) Normal driving

1. Start the engine as instructed in "How to start the engine" on page 410 in Section 3. The transmission must be in "P" or "N".
2. With your foot holding down the brake pedal, shift the shift lever to "D".

When the lever is in the "D" position, the Multidrive system will select a suitable ratio for running conditions such as normal cruising, hill climbing, hard towing, etc.

Always use the "D" position for better fuel economy and quieter driving.

3. Release the parking brake and brake pedal. Depress the accelerator pedal slowly for smooth starting.

**CAUTION**

- **Never put your foot on the accelerator pedal while shifting.**
- **Always keep your foot on the brake pedal while stopped with the engine running. This prevents the vehicle from creeping.**

NOTICE

Always use the brake pedal or the parking brake to hold the vehicle on an upgrade. Do not attempt to hold the vehicle using the accelerator pedal, as this can cause the transmission to overheat.

(c) Driving in "M" position**Using the shift lever—**

You can change the gear step in the 7-Speed Sport Sequential Shiftmatic mode. The gear step can be switched between "M7" (seventh gear step) and "M1" (first gear step) by moving the shift lever up to the "+" side or down to the "-" side.

Using the paddle shift switches—

You can change the gear step in 7-Speed Sport Sequential Shiftmatic mode. The gear step can be changed from "M7" (seventh gear step) through to "M1" (first gear step) by operating the "+" and "-" paddle shift switches.

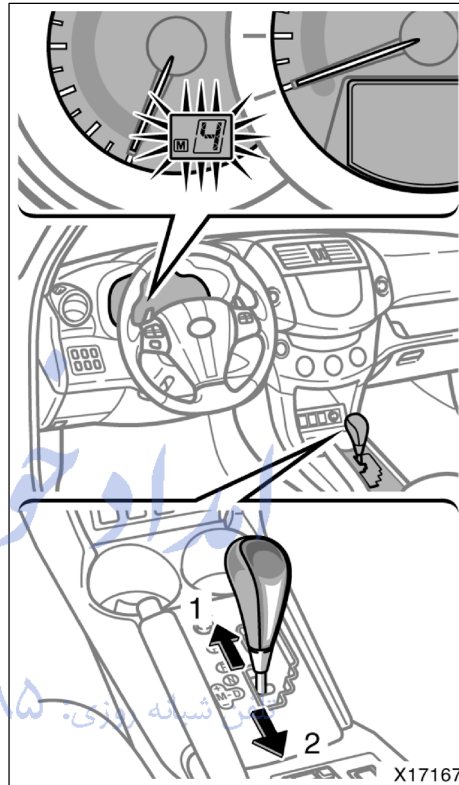
When in "M" position, "M" and the selected gear step is displayed in the shift position indicator.

When the shift lever is shifted to the "M" position, the initial gear step is selected depending on the vehicle speed.

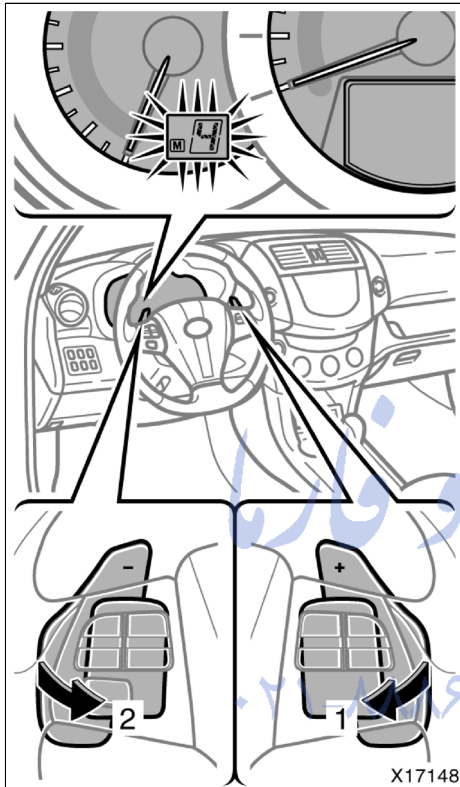
When driving in the 7-Speed Sport Sequential Shiftmatic mode, the gear step will not change unless the shift lever or paddle shift switches are operated. However, the gear step will change automatically in the following situations:

- When the engine speed is too high or too low
- When the vehicle speed drops (downshift only)
- When the transmission fluid temperature is extremely high (upshift only)

If the shift position indicator flashes or a warning buzzer sounds (except during operation of the shift lever or paddle shift switches), there may be a problem in the system. When the 7-Speed Sport Sequential Shiftmatic mode indicator light does not come on even with the shift lever moved to the "M" position, there may be a problem somewhere in the system. Have your vehicle checked/repared by any authorized Toyota dealer or repairer, or another duly qualified and equipped professional as soon as possible. In this case, you can drive in the same condition as in the "D" position.



Shift lever



Paddle shift switches

1: Upshifting

2: Downshifting

Gear step functions

- **“M7” (Seventh gear step):**
The gear step is fixed at seventh gear step.
- **“M6” (Sixth gear step):**
The gear step is fixed at sixth gear step.
- **“M5” (Fifth gear step):**
The gear step is fixed at fifth gear step.
- **“M4” (Fourth gear step):**
The gear step is fixed at fourth gear step.
- **“M3” (Third gear step):**
The gear step is fixed at third gear step.
- **“M2” (Second gear step):**
The gear step is fixed at second gear step.
- **“M1” (First gear step):**
The gear step is fixed at first gear step.

Downshift restriction warning buzzer

To help ensure safety and driving performance, downshifting operation may sometimes be restricted. In some circumstances, downshifting may not be possible even when the shift lever is operated. (The buzzer will sound twice.)

Maximum allowable speeds

If the vehicle speed exceeds the following speeds in each gear step, the transmission will automatically upshift to prevent the engine from over-revving.

gear step	km/h (mph)
6	195 (121)
5	167 (103)
4	140 (87)
3	112 (70)
2	85 (53)
1	64 (40)

(d) Selecting gear step in the “D” position

The paddle shift switches are also active when the transmission is in the “D” position. Operating the paddle shift switches while in the “D” position will cause gear step hold control (similar to 7-Speed Sport Sequential Shiftmatic mode control) to be executed.

To drive in temporary gear step selection mode, operate the “-” or “+” paddle shift switch. The gear step can then be selected by operating the “-” and “+” paddle shift switches.

Changing the gear step allows restriction of the highest gear step, preventing unnecessary upshifting and enabling the level of engine braking force to be selected.

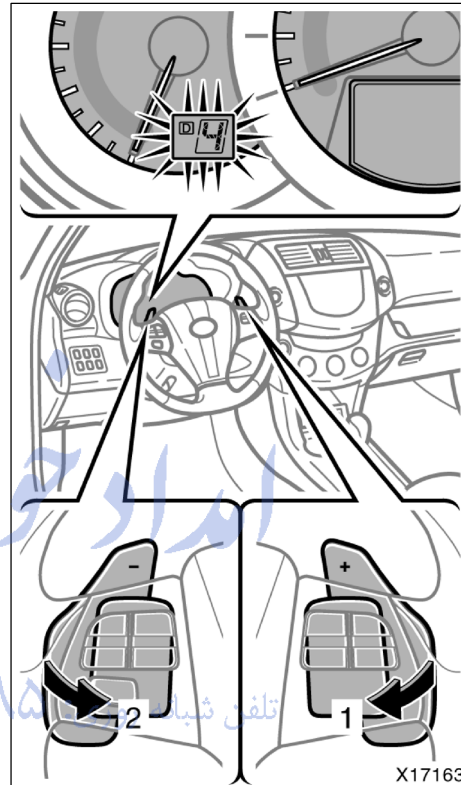
When in temporary gear step selection mode, “D” and the selected gear step is displayed in the shift position indicator.

Temporary gear step selection mode is canceled in the following situations:

- When the “+” paddle shift switch is pulled for more than the fixed time
- When you accelerate for more than the fixed time in the same shift position
- When the vehicle is stopped

Also, if the shift lever is moved into the “M” position while in temporary gear step selection mode, the transmission will be put into 7-Speed Sport Sequential Shiftmatic mode.

If the shift position indicator flashes or a warning buzzer sounds (except during operation of the paddle shift switches), there may be a problem in the system. Have your vehicle checked/repared by any authorized Toyota dealer or repairer, or another duly qualified and equipped professional as soon as possible. In this case, you can drive in the same condition as in the “D” position.



1: Upshifting
2: Downshifting

X17163

Gear step functions

- **“D7” (Seventh gear step):**
The gear step is fixed at seventh gear step.
- **“D6” (Sixth gear step):**
The gear step is fixed at sixth gear step.
- **“D5” (Fifth gear step):**
The gear step is fixed at fifth gear step.
- **“D4” (Fourth gear step):**
The gear step is fixed at fourth gear step.
- **“D3” (Third gear step):**
The gear step is fixed at third gear step.
- **“D2” (Second gear step):**
The gear step is fixed at second gear step.
- **“D1” (First gear step):**
The gear step is fixed at first gear step.

Downshift restriction warning buzzer

To help ensure safety and driving performance, downshifting operation may sometimes be restricted. In some circumstances, downshifting may not be possible even when the shift lever is operated. (The buzzer will sound twice.)

Maximum allowable speeds

If the vehicle speed exceeds the following speeds in each gear step, the transmission will automatically upshift to prevent the engine from over-revving.

gear step	km/h (mph)
6	195 (121)
5	167 (103)
4	140 (87)
3	112 (70)
2	85 (53)
1	64 (40)

(e) Using engine braking

To use engine braking, you can downshift the transmission as follows:

Using engine braking in the “M” position—

- Shift the shift lever to the “M” position.

When driving in the “M7” gear step—
Move the shift lever down to the “–” side or operate the “–” paddle shift switch to select the “M6” gear step.

The transmission will downshift to sixth gear step and engine braking will be enabled.

Vehicles with cruise control—when the cruise control is being used, even if you downshift the transmission, engine braking will not be enabled because the cruise control is not cancelled.

For ways to decrease the vehicle speed, see “Cruise control” on page 277 in this Section.

- Move the shift lever down to the “–” side or operate the “–” paddle shift switch to select the “M5” gear step.

The transmission will downshift to fifth gear step when the vehicle speed drops down to or lower than 166 km/h (103 mph), and stronger engine braking will be enabled.

Vehicles with cruise control—when the cruise control is being used, even if you downshift the transmission, engine braking will not be enabled because the cruise control is not cancelled.

For ways to decrease the vehicle speed, see “Cruise control” on page 277 in this Section.

- Move the shift lever down to the “_” side or operate the “_” paddle shift switch to select the “M4” gear step. The transmission will downshift to fourth gear step when the vehicle speed drops down to or lower than 138 km/h (86 mph), and stronger engine braking will be enabled.

Vehicles with cruise control—when the cruise control is being used, even if you downshift the transmission, engine braking will not be enabled because the cruise control is not cancelled.

For ways to decrease the vehicle speed, see “Cruise control” on page 277 in this Section.

- Move the shift lever down to the “_” side or operate the “_” paddle shift switch to select the “M3” gear step. The transmission will downshift to third gear step when the vehicle speed drops down to or lower than 110 km/h (68 mph), and more powerful engine braking than that of the “M4” gear step position will be enabled.
- Move the shift lever down to the “_” side or operate the “_” paddle shift switch to select the “M2” gear step. The transmission will downshift to second gear step when the vehicle speed drops down to or lower than 83 km/h (52 mph), and more powerful engine braking will be enabled.
- Move the shift lever down to the “_” side or operate the “_” paddle shift switch to select the “M1” gear step. The downshift to first gear step when the vehicle speed drops down to or lower than 65 km/h (40 mph), and maximum engine braking will be enabled.

Using engine braking in the “D” position—

- To drive in temporary gear step selection mode, operate the “_” paddle shift switch.

When driving in the “D7” gear step—Operate the “_” paddle shift switch to select the “D6” gear step.

The transmission will downshift to sixth gear step and engine braking will be enabled.

Vehicles with cruise control—when the cruise control is being used, even if you downshift the transmission, engine braking will not be enabled because the cruise control is not cancelled.

For ways to decrease the vehicle speed, see “Cruise control” on page 277 in this Section.

- Operate the “_” paddle shift switch to select the “D5” gear step. The transmission will downshift to fifth gear step when the vehicle speed drops down to or lower than 166 km/h (103 mph), and stronger engine braking will be enabled.

Vehicles with cruise control—when the cruise control is being used, even if you downshift the transmission, engine braking will not be enabled because the cruise control is not cancelled.

For ways to decrease the vehicle speed, see “Cruise control” on page 277 in this Section.

- Operate the “_” paddle shift switch to select the “D4” gear step. The transmission will downshift to fourth gear step when the vehicle speed drops down to or lower than 138 km/h (86 mph), and stronger engine braking will be enabled.

Vehicles with cruise control—when the cruise control is being used, even if you downshift the transmission, engine braking will not be enabled because the cruise control is not cancelled.

For ways to decrease the vehicle speed, see “Cruise control” on page 277 in this Section.

- Operate the “-” paddle shift switch to select the “D3” gear step. The transmission will downshift to third gear step when the vehicle speed drops down to or lower than 110 km/h (68 mph), and more powerful engine braking than that of the “D4” gear step position will be enabled.
- Operate the “-” paddle shift switch to select the “D2” gear step. The transmission will downshift to second gear step when the vehicle speed drops down to or lower than 83 km/h (52 mph), and more powerful engine braking will be enabled.
- Operate the “-” paddle shift switch to select the “D1” gear step. The downshift to first gear step when the vehicle speed drops down to or lower than 65 km/h (40 mph), and maximum engine braking will be enabled.

**CAUTION**

Be careful when downshifting on a slippery surface. Abrupt shifting could cause the vehicle to skid or spin.

(f) Backing up

1. Bring the vehicle to a complete stop.
2. With the brake pedal held down with your foot, shift the shift lever to the “R” position.

NOTICE

Never shift into reverse while the vehicle is moving.

Vehicles with rear view monitor system—When the shift lever is shifted into “R” position with the engine switch (vehicles without smart entry and start system) is set at the “ON” position or the “ENGINE START STOP” switch (vehicles with smart entry and start system) is set at IGNITION ON mode, rear view monitor system will activate. For instructions, see “Rear view monitor system” on page 356 in Section 1-10.

(g) Parking

1. Bring the vehicle to a complete stop.
2. Pull the parking brake lever up fully to securely apply the parking brake.
3. With the brake pedal pressed down, shift the shift lever to the “P” position.

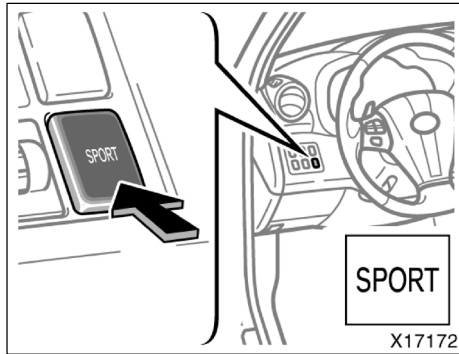
**CAUTION**

Never attempt to move the shift lever into “P” position under any circumstances while the vehicle is moving. Serious mechanical damage and loss of vehicle control may result.

(h) If you cannot shift the shift lever out of “P” position

If you cannot shift the shift lever from the “P” position even though the brake pedal is depressed, use the shift lock override button. For instructions, see “If you cannot shift shift lever” on page 482 in Section 4.

Manual transmission

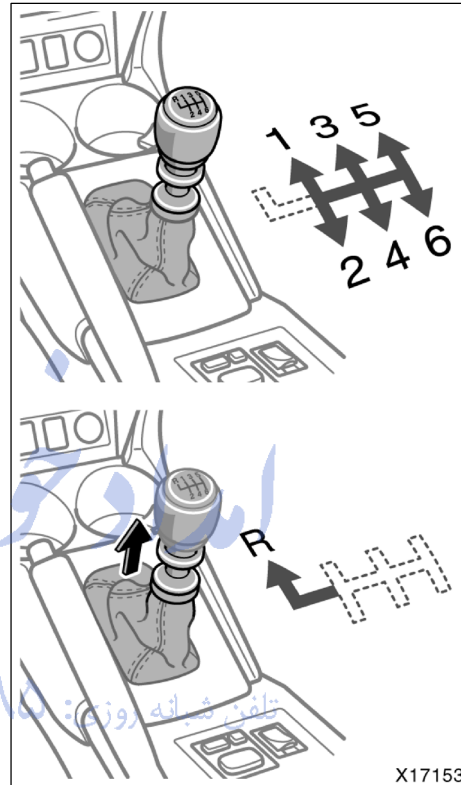
**“SPORT” MODE**

Push the “SPORT” mode switch to turn the “SPORT” mode on. The “SPORT” indicator light will come on.

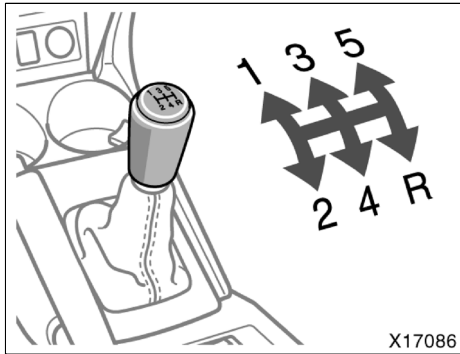
In the “SPORT” mode, optimum engine brake force can be achieved by limiting the higher ratio, and good response is achieved. Moreover when accelerator is off, high engine speed is maintained for re-acceleration.

To cancel the “SPORT” mode, push the “SPORT” mode switch again.

Once the engine is turned off, the “SPORT” mode will be automatically cancelled.

**6-speed manual transmission**

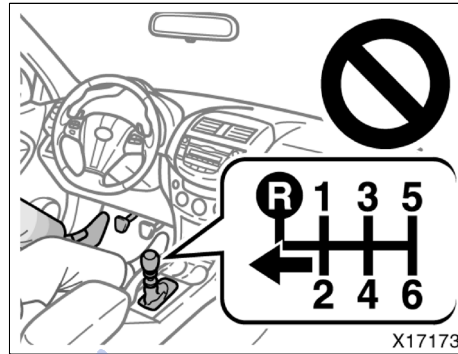
FarmaSOS.com



5-speed manual transmission

The shift pattern is as shown above. In case of driving your vehicle with 6-speed manual transmission, you must lift up the ring around the gear shift lever to shift into "R" (reverse).

	CAUTION
<p>6-speed manual transmission—The shift lever knob can become extremely hot after parking under the sun.</p>	



NOTICE

3ZR-FAE engine only: To prevent damage to the transmission, observe the following precautions.

- ◆ Do not shift the shift lever to "R" without depressing the clutch pedal.
- ◆ Do not lift up the ring section except when shifting the lever to "R".
- ◆ Shift the shift lever to "R" only when the vehicle is stationary.

Press the clutch pedal down fully while shifting, and then release it slowly. Do not rest your foot on the pedal while driving, because it will cause clutch trouble. Do not use the clutch to hold the vehicle when stopped on an uphill grade—use the parking brake.

Upshifting too soon or downshifting too late will cause lugging, and possibly ping-pong. Regularly revving the engine to maximum speed in each gear will cause excessive engine wear and high fuel consumption.

SOS.com

Maximum allowable speeds

To get on a highway or to pass slower traffic, maximum acceleration may be necessary. Make sure you observe the following maximum allowable speeds in each gear:

3ZR-FAE engine	
gear	km/h (mph)
1	47 (29)
2	88 (55)
3	139 (86)
4	176 (109)
5	207 (129)

1AZ-FE engine	
gear	km/h (mph)
1	48 (30)
2	89 (55)
3	138 (86)
4	177 (110)

2AD-FTV and 2AD-FHV engines	
gear	km/h (mph)
1	38 (24)
2	76 (47)
3	119 (74)
4	164 (102)
5	212 (132)

Good driving practice

- If it is difficult to shift into reverse, put the transmission in neutral, release the clutch pedal momentarily, and then try again.
- When towing a trailer, in order to maintain engine braking efficiency, do not use fifth gear (5-speed manual transmission) or sixth gear (6-speed manual transmission).

CAUTION

Be careful when downshifting on a slippery surface. Abrupt shifting could cause the vehicle to skid or spin.

NOTICE

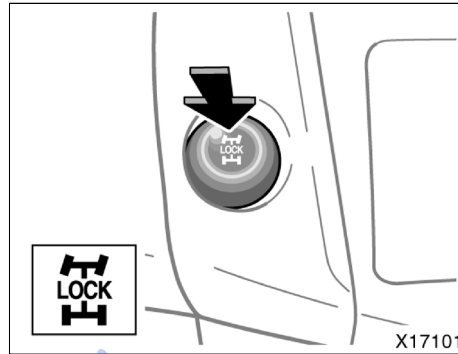
- ◆ **Do not use any gears other than first gear when starting off and moving forward. Doing so may damage the clutch.**
- ◆ **Make sure the vehicle is completely stopped before shifting into reverse.**

NOTICE

Do not downshift if you are going faster than the maximum allowable speed for the next lower gear.

Active Torque Control 4WD system

The Active Torque Control 4WD system controls the engine torque that is applied to the rear wheels according to the driving conditions and road conditions. When the vehicle's driving conditions are stable such as driving straight ahead, the engine torque is applied to only the front wheels.



FOUR-WHEEL DRIVE LOCK SWITCH

When the vehicle is driven on loose surfaces, such as sand, gravel, or deep snow, or if the vehicle gets stuck, pushing the four-wheel drive lock switch to ensure that the engine torque is applied to the 4 wheels.

When the four-wheel drive lock switch is pushed, the four-wheel drive lock indicator light blinks twice and remains on until the four-wheel drive lock is canceled.

To cancel the four-wheel drive lock, push the switch once again and the four-wheel drive lock indicator light will go off.

When the vehicle speed exceeds 40 km/h (25 mph), the four-wheel drive lock will be cancelled automatically.

Vehicles without smart entry and start system—

The four-wheel drive lock indicator will come on for a few seconds when the engine switch is set at the "ON" position.

If the indicator light does not come on when the engine switch is set at the "ON" position or the four-wheel drive lock switch is pushed, contact any authorized Toyota dealer or repairer, or duly qualified and equipped professional.

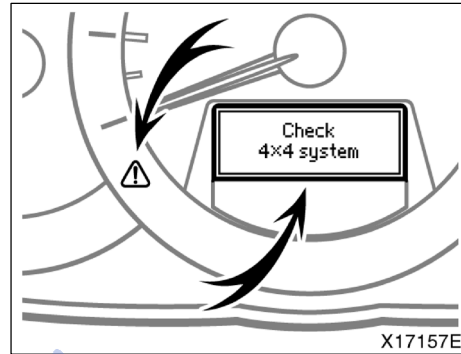
Vehicles with smart entry and start system—

The four-wheel drive lock indicator will come on for a few seconds when the “ENGINE START STOP” switch is set at IGNITION ON mode.

If the indicator light does not come on when the “ENGINE START STOP” switch is set at IGNITION ON mode or the four-wheel drive lock switch is pushed, contact any authorized Toyota dealer or repairer, or duly qualified and equipped professional.

NOTICE

Use the four-wheel drive lock only when driving on the loose surfaces, such as sand, gravel, or deep snow, or if the vehicle gets stuck. After the four-wheel drive lock is used to provide traction, cancel the four-wheel drive lock. Using the four-wheel drive lock at other times may cause damage to the four-wheel drive system.



SYSTEM FAILURE WARNING

The master warning light and the warning messages on the multi-information display warn that there is a problem somewhere in the Active Torque Control 4WD system. If the warning message appears, a buzzer will also sound.

If the “High transfer case oil temp.” message appears and the master warning light flashes...

This indicates that the driveline temperature has become too high. Without turning off the engine, do either of the following to cool the driveline:

- Reduce vehicle speed until the warning message and light go off.
- Stop the vehicle at a safe place and allow the engine to idle until the warning message and light go off.

If operation of the vehicle is continued while the warning light is flashing, the system automatically shuts off the engine torque that is applied to the rear wheels to protect the driveline. If this happens, the “2WD” warning message will appear and the master warning light will flash faster.

When the driveline temperature falls enough, the light will go off.

If the “Check 4×4 system” message appears and the master warning light remains on...

This indicates that the system may not work properly. Contact any authorized Toyota dealer or repairer, or duly qualified and equipped professional to service your vehicle.

Traction control system—

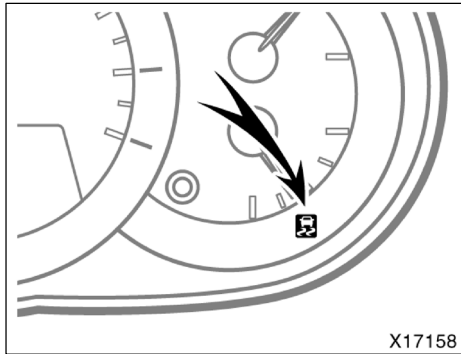
The traction control system automatically helps prevent the spinning of the drive wheels when the vehicle is started or accelerated on slippery road surfaces.

Vehicles without smart entry and start system—When the engine switch is turned to the “ON” position, the system automatically turns on.

Vehicles with smart entry and start system—When the “ENGINE START STOP” switch is in IGNITION ON mode, the system automatically turns on.

 **CAUTION**

Under certain slippery road conditions, full traction of the vehicle and power to the drive wheels cannot be maintained, even though the traction control system is in operation. Do not drive the vehicle under any speed or maneuvering conditions which may cause the vehicle to lose traction control. If the road surface is covered with ice or snow, your vehicle should be fitted with snow tires or tire chains. Always drive at a speed that is appropriate for the present road conditions.



A sound may be heard from the engine compartment for a few seconds when the engine is started or just after the vehicle begins to move. This means that the system is in the self-check mode. This sound does not indicate a malfunction.

When the traction control system is operating, the following conditions occur:

- The system controls the spinning of the drive wheels. At this time, the slip indicator light blinks.
- The vehicle may vibrate or make a noise due to brake operation. This indicates the system is functioning properly.

Vehicles without smart entry and start system—The slip indicator light comes on for a few seconds when the engine switch is turned to the “ON” position. If the indicator light does not come on when the engine switch is turned to the “ON” position, contact any authorized Toyota dealer or repairer, or another duly qualified and equipped professional.

Vehicles with smart entry and start system—The slip indicator light comes on for a few seconds when the “ENGINE START STOP” switch is in IGNITION ON mode. If the indicator light does not come on when the “ENGINE START STOP” switch is in IGNITION ON mode, contact any authorized Toyota dealer or repairer, or another duly qualified and equipped professional.

SYSTEM FAILURE WARNING

The slip indicator light comes on when there is a problem somewhere in the following systems:

- Traction control system
- “AUTO LSD” function (two-wheel drive models)
- VSC+ system
- Downhill assist control system (four-wheel drive models)
- Hill-start assist control system

Vehicles without smart entry and start system—The light will come on when the engine switch is turned to the “ON” position. When the systems work properly, the light turns off after a few seconds.

Vehicles with smart entry and start system—The light will come on when the “ENGINE START STOP” switch is in IGNITION ON mode. When the systems are work properly, the light turn off after a few seconds.

If the light comes on while driving, all the above systems do not work. In this case, the brakes will operate when applied, and normal driving may be resumed.

In the following cases, contact any authorized Toyota dealer or repairer, or another duly qualified and equipped professional:

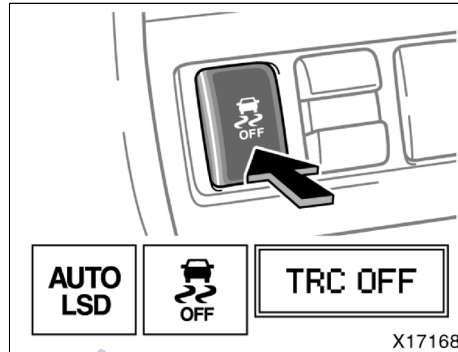
- Vehicles without smart entry and start system—The slip indicator light does not come on when the engine switch is turned to the “ON” position.

Vehicles with smart entry and start system—The slip indicator light does not come on when the “ENGINE START STOP” switch is in IGNITION ON mode.

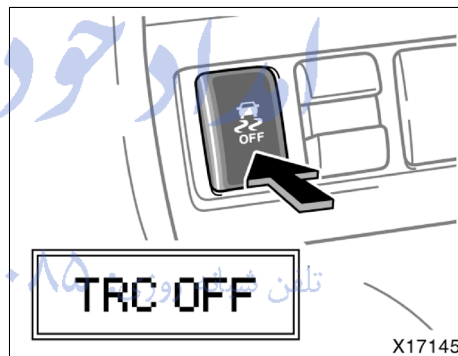
- Vehicles without smart entry and start system—The slip indicator light remains on after the engine switch is turned to the “ON” position.

Vehicles with smart entry and start system—The slip indicator light remains on after the “ENGINE START STOP” switch is in IGNITION ON mode.

- The slip indicator light comes on while driving.



Vehicles with “AUTO LSD” function



Vehicles without “AUTO LSD” function

TRACTION CONTROL OFF MODE

When getting the vehicle out of mud or snow, etc., it may be beneficial to turn off the traction control system. This system which also controls engine performance may interfere with the process of freeing the drive wheels.

Vehicles with “AUTO LSD” function—

To turn off the system: Briefly push the VSC OFF switch. The traction control system turns off and the “AUTO LSD” function becomes effective.

The “AUTO LSD” and VSC OFF indicator lights will come on and “TRC OFF” will appear on the multi-information display.

To turn on: Briefly push the VSC OFF switch once again.

The “AUTO LSD” and VSC OFF indicator lights will go off and “TRC OFF” will disappear.

Once the engine is turned off, traction control off mode will be automatically cancelled.

When you push and hold the VSC OFF switch for 3 seconds or more with the vehicle stopped, the VSC+ system will be turned off. See “Vehicle stability control+ (VSC+) system” on page 267 in this Section.

Vehicles without smart entry and start system—The “AUTO LSD” and VSC OFF indicator lights come on for a few seconds when the engine switch is turned to the “ON” position. If the indicator lights do not come on when the engine switch is turned to the “ON” position, contact any authorized Toyota dealer or repairer, or another duly qualified and equipped professional.

Vehicles with smart entry and start system—The “AUTO LSD” and VSC OFF indicator lights come on for a few seconds when the “ENGINE START STOP” switch is in IGNITION ON mode. If the indicator lights do not come on when the “ENGINE START STOP” switch is in IGNITION ON mode, contact any authorized Toyota dealer or repairer, or another duly qualified and equipped professional.

If only the traction control system is turned off, the traction control system will be reactivated while vehicle speed is increased.

 **CAUTION**

Do not drive with the traction control system continuously turned off.

Vehicles without “AUTO LSD” function—

To turn off the system: Briefly push the VSC OFF switch.

“TRC OFF” will appear on the multi-information display.

To turn on: Briefly push the VSC OFF switch once again.

“TRC OFF” will disappear from the multi-information display.

Once the engine is turned off, traction control off mode will be automatically cancelled.

When you push and hold the VSC OFF switch for 3 seconds or more with the vehicle stopped, the VSC+ system will be turned off. See “Vehicle stability control+ (VSC+) system” on page 267 in this Section.

If only the traction control system is turned off, the traction control system will turn on when vehicle speed increases.

 **CAUTION**

Do not drive with the traction control system continuously turned off.

—“AUTO LSD” function (on some models)

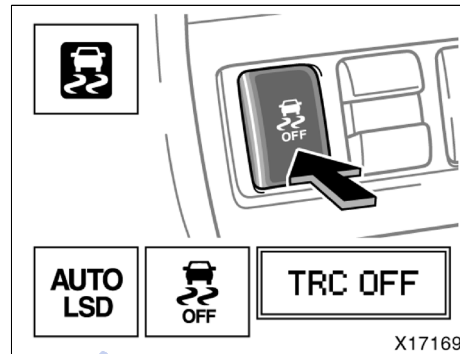
The “AUTO LSD” function aids traction by using the traction control system to control engine performance and braking when either of the front wheels begins to spin.

This function should be used only when wheel spinning occurs in a ditch or rough surface.

This function is effective when either of the front wheels is spinning.

NOTICE

Do not use the “AUTO LSD” function in conditions other than the above. A much greater steering effort and more careful cornering control will be required.



To turn on the function: Briefly push the VSC OFF switch.

The “AUTO LSD” and VSC OFF indicator lights will come on and remain on and “TRC OFF” will appear on the multi-information display while the function is on. While the function is operating, the slip indicator light will also flash.

To turn off: Briefly push the VSC OFF switch again and the “AUTO LSD” and VSC OFF indicator lights will go off and “TRC OFF” will disappear.

The brake actuator temperature increases during the operation of the “AUTO LSD” function under conditions such as on slippery roads.

If the brake actuator temperature becomes too high while the “AUTO LSD” function is operating, a buzzer will sound to indicate that the “AUTO LSD” function can no longer operate. At this time, the slip indicator light comes on and the “AUTO LSD” function temporarily stops operating in order to protect the brake actuator. (Although the “AUTO LSD” function does not operate, it is not a problem to continue driving.) The function is automatically restarted after a short time and the slip indicator light goes off.

Vehicle stability control+ (VSC+) system

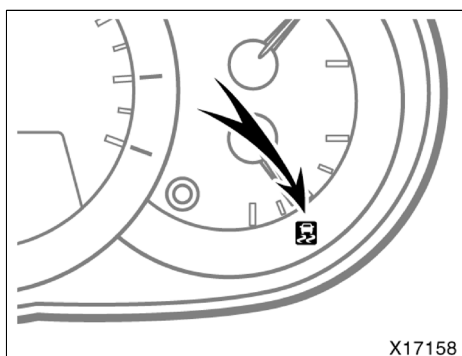
The VSC+ system automatically controls the brakes, engine and power steering to help prevent the vehicle from skidding when cornering on a slippery road surface or operating steering wheel abruptly.

The VSC+ system is activated when your vehicle speed exceeds about 15 km/h (9 mph).

A sound may be heard from the engine compartment for a few seconds when the engine is started or just after the vehicle begins to move. This means that the system is in the self-check mode. This sound does not indicate a malfunction.

CAUTION

- Do not rely excessively on the VSC+ system. Even if the VSC+ system is operating, you must always drive carefully and attentively. Reckless driving will result in an unexpected accident and cause death or serious injury. If the slip indicator light flashes, and an alarm sounds, special care should be taken while driving.
- Use only tires of the specified size. The size, manufacturer, brand and tread pattern for all 4 tires should be the same. If you use tires other than those specified, or of a different type or size, the VSC+ system may not function correctly. When replacing the tires or wheels, contact any authorized Toyota dealer or repairer, or another duly qualified and equipped professional. (See "Checking and replacing tires" on page 519 in Section 7-2.)
- In situations where the road surface is covered with ice or snow, your vehicle should be fitted with snow tires or tire chains.



If the vehicle is going to skid during driving, the slip indicator light blinks and an alarm sounds intermittently. Special care should be taken while driving.

Vehicles without smart entry and start system—The slip indicator light comes on for a few seconds when the engine switch is turned to the “ON” position. If the indicator light does not come on when the engine switch is turned to the “ON” position, contact any authorized Toyota dealer or repairer, or another duly qualified and equipped professional.

Vehicles with smart entry and start system—The slip indicator light comes on for a few seconds when the “ENGINE START STOP” switch is in IGNITION ON mode. If the indicator light does not come on when the “ENGINE START STOP” switch is in IGNITION ON mode, contact any authorized Toyota dealer or repairer, or another duly qualified and equipped professional.

SYSTEM FAILURE WARNING

The slip indicator light comes on when there is a problem somewhere in the following systems:

- Traction control system
- “AUTO LSD” function (two-wheel drive models)
- VSC+ system
- Downhill assist control system (four-wheel drive models)
- Hill-start assist control system

Vehicles without smart entry and start system—The light will come on when the engine switch is turned to the “ON” position. When the systems work properly, the light turns off after a few seconds.

Vehicles with smart entry and start system—The light will come on when the “ENGINE START STOP” switch is in IGNITION ON mode. When the systems are work properly, the light turn off after a few seconds.

If the light comes on while driving, all the above systems do not work. In this case, the brakes will operate when applied, and normal driving may be resumed.

In the following cases, contact any authorized Toyota dealer or repairer, or another duly qualified and equipped professional:

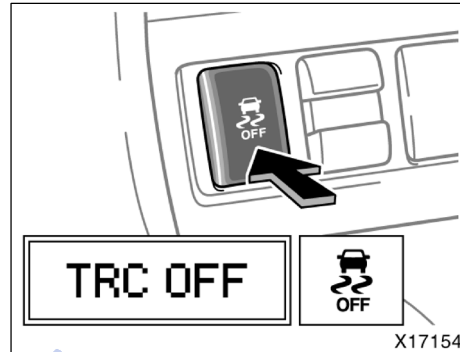
- Vehicles without smart entry and start system—The slip indicator light does not come on when the engine switch is turned to the “ON” position.

Vehicles with smart entry and start system—The slip indicator light does not come on when the “ENGINE START STOP” switch is in IGNITION ON mode.

- Vehicles without smart entry and start system—The slip indicator light remains on after the engine switch is turned to the “ON” position.

Vehicles with smart entry and start system—The slip indicator light remains on after the “ENGINE START STOP” switch is in IGNITION ON mode.

- The slip indicator light comes on while driving.



VSC+ OFF MODE

When getting the vehicle out of mud or snow, etc., it may be beneficial to turn off the VSC+ system. This system which also controls engine performance may interfere with the process of freeing the drive wheels.

To turn off the system: Push and hold the VSC OFF switch with the vehicle stopped.

The VSC OFF indicator light will come on and “TRC OFF” will appear on the multi-information display.

To turn on:

Two-wheel drive models—Briefly push the VSC OFF switch once again.

Four-wheel drive models—Push and hold the VSC OFF switch once again.

The VSC OFF indicator light will go off and “TRC OFF” will disappear.

Once the engine is turned off, VSC+ off mode will be automatically cancelled.

Vehicles without smart entry and start system—The VSC OFF indicator light comes on for a few seconds when the engine switch is turned to the “ON” position. If the indicator light does not come on when the engine switch is turned to the “ON” position, contact any authorized Toyota dealer or repairer, or another duly qualified and equipped professional.

Vehicles with smart entry and start system—The VSC OFF indicator light comes on for a few seconds when the “ENGINE START STOP” switch is in IGNITION ON mode. If the indicator light does not come on when the “ENGINE START STOP” switch is in IGNITION ON mode, contact any authorized Toyota dealer or repairer, or another duly qualified and equipped professional.

If the traction control and VSC+ systems are turned off, the systems will not turn on even when vehicle speed increases.

**CAUTION**

Do not drive with the VSC+ system continuously turned off.

Downhill assist control system

The downhill assist control system assists the deceleration of the engine brake when you drive down a steep hill. When you are driving down a hill, pushing the “DAC” switch turns on the system. If the vehicle is traveling at a speed of 25 km/h (15 mph) or less, you can descend at a constant speed.

**CAUTION**

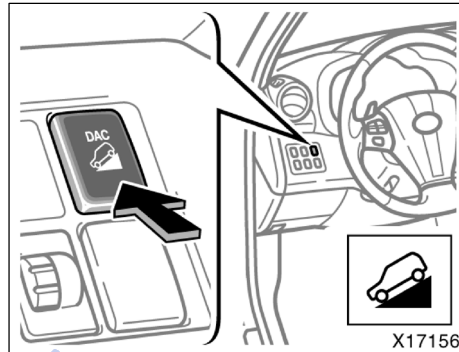
Do not rely excessively on the downhill assist control system. It may not be able to maintain a low speed over road surfaces or off-road surfaces on which sliding can easily occur, such as extremely steep slopes or icy or muddy roads.

تلفن شبانه روزی: ۰۲۱-۸۸۸۶۲۰۸۵

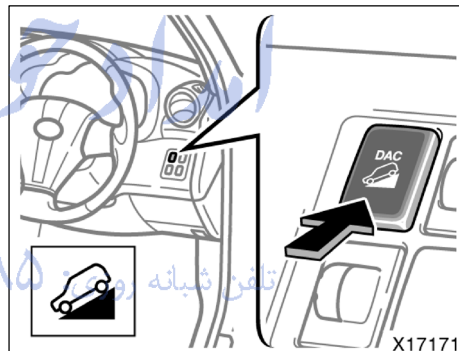
FarmaSOS.com

TO ACTIVATE THE DOWNHILL ASSIST CONTROL SYSTEM

1. In order to make full use of the engine brake, the transmission is in "M1" (first), "D1" (first), "L" (first) or "R" (reverse).



Left-hand drive vehicles

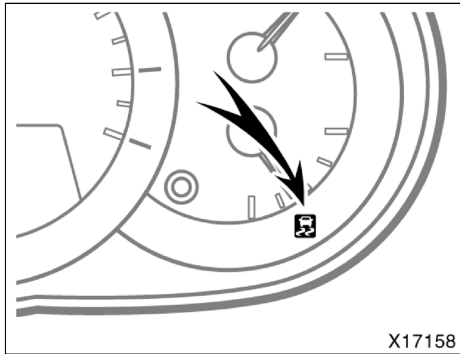


Right-hand drive vehicles

2. Push the "DAC" switch to turn the system on. The downhill assist control system indicator light will come on.

If the downhill assist control system indicator light flashes, the transmission may not be in "M1", "D1", "L" or "R".

If the indicator light does not come on when the switch is pushed, or the indicator light flashes when the transmission is in "M1", "D1", "L" or "R", contact any authorized Toyota dealer or repairer, or another duly qualified and equipped professional.



X17158

With the vehicle traveling at a speed of 25 km/h (15 mph) or less, release the brake pedal and accelerator pedal to activate the system. The vehicle will descend the hill at a low speed.

While the system is operating, the slip indicator light will flash and the stoplights and high mounted stoplight will be lit. A sound may also occur during the operation. This does not indicate a malfunction.

If the brakes are applied while the system is operating, a kickback from the brake pedal may result and a sound may occur. This does not indicate a malfunction.

If the “DAC” switch is pushed to turn the system off while it is in operation, the system will stop operating gradually. The downhill assist control system indicator light will flash to alert the driver. To continue driving at a low speed, push the “DAC” switch to turn the system on.

Vehicles without smart entry and start system—The slip indicator light and downhill assist control system indicator light come on for a few seconds when the engine switch is turned to the “ON” position. If any of the indicator lights does not come on when the engine switch is turned to the “ON” position, contact any authorized Toyota dealer or repairer, or another duly qualified and equipped professional.

Vehicles with smart entry and start system—The slip indicator light and downhill assist control system indicator light come on for a few seconds when the “ENGINE START STOP” switch is in IGNITION ON mode. If any of the indicator lights does not come on when the “ENGINE START STOP” switch is in IGNITION ON mode, contact any authorized Toyota dealer or repairer, or another duly qualified and equipped professional.

If the brake actuator temperature becomes too high, the downhill assist control system indicator light will flash and a buzzer will start to sound intermittently. This indicates that the system cannot operate for much longer. In this case, stop the vehicle immediately in a safe place.

If the system continues to operate while driving, the buzzer will sound for about 3 seconds. The system will temporarily stop operating in order to protect the brake actuator. Although the downhill assist control system is not operating, it is still possible to continue your driving.

The operation of the system will be automatically restored after the actuator cools down. The downhill assist control system indicator light changes from blinking to remaining on after operation is restored.

SYSTEM FAILURE WARNING

Vehicles without smart entry and start system—

The slip indicator light comes on when there is a problem somewhere in the following systems:

- Traction control system
- VSC+ system
- Downhill assist control system
- Hill-start assist control system

The light will come on when the engine switch is turned to the “ON” position. When the systems work properly, the light turns off after a few seconds.

If the light comes on while driving, all the above systems do not work. In this case, the brakes will operate when applied, and normal driving may be resumed.

In the following cases, contact any authorized Toyota dealer or repairer, or another duly qualified and equipped professional:

- The slip indicator light does not come on when the engine switch is turned to the “ON” position.
- The slip indicator light remains on after the engine switch is turned to the “ON” position.
- The slip indicator light comes on while driving.

Vehicles with smart entry and start system—

The slip indicator light comes on when there is a problem somewhere in the following systems:

- Traction control system
- VSC+ system
- Downhill assist control system
- Hill-start assist control system

The light will come on when the “ENGINE START STOP” switch is in IGNITION ON mode. When the systems are work properly, the light turn off after a few seconds.

If the light comes on while driving, all the above systems do not work. In this case, the brakes will operate when applied, and normal driving may be resumed.

In the following cases, contact any authorized Toyota dealer or repairer, or another duly qualified and equipped professional:

- The slip indicator light does not come on when the “ENGINE START STOP” switch is turned to IGNITION ON mode.
- The slip indicator light remains on after the “ENGINE START STOP” switch is in IGNITION ON mode.
- The slip indicator light comes on while driving.

Hill-start assist control system

The hill-start assist control system assists in starting to drive a steep or a slippery hill. When you start to move up a hill slope, the system helps to prevent the vehicle from rolling backward in the interval while moving the foot from the brake pedal to the accelerator pedal.



CAUTION

- Do not rely excessively on the hill-start assist control system. The vehicle may not be able to start smoothly on road surfaces or off-road surfaces such as extremely steep slopes or icy roads, on which sliding can occur very easily.
- Unlike the parking brake, the hill start assist control system is not intended to hold the vehicle stationary for an extended period of time. Do not attempt to use the hill-start assist control system to hold the vehicle on an incline for an extended period of time, as doing so may lead to an accident.

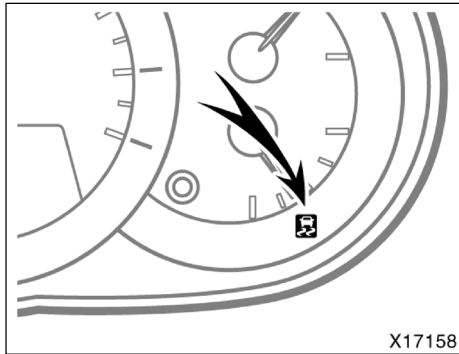
TO ACTIVATE THE HILL-START ASSIST CONTROL SYSTEM

The hill-start assist control system will operate for maximum of 2 seconds. The brake pedal must be depressed further to activate the system when all of the following conditions apply with the brake pedal depressed:

At this time, one beep will be heard.

- When the shift lever is not in "P"
- When the accelerator pedal is not depressed
- When the parking brake is not applied
- When the vehicle is stopped

The system is designed to operate when the vehicle is starting on uphill slope; therefore, if the shift lever is in "P", it will not operate.



When the hill-start assist control system is operating, the slip indicator light flashes and the stoplights and high mounted stoplight are lit.

When any of the following is performed, the system will stop operation. At this time, two beeps will be heard and the slip indicator light will go off.

- Shifting the shift lever to "P"
- Applying the parking brake
- Depressing the brake pedal

If the accelerator pedal is depressed, the system will also stop operation without beep sounds.

The hill-start assist control system operates for a maximum of 2 seconds. If the vehicle is not started within 2 seconds, two beeps will be heard and the system will gradually stop operating.

The hill-start control system is not designed to park the vehicle on uphill slope. When parking the vehicle, be sure to apply the parking brake.

Vehicles without smart entry and start system—The slip indicator light comes on for a few seconds when the engine switch is turned to the "ON" position. If the indicator light does not come on when the engine switch is turned to the "ON" position, contact any authorized Toyota dealer or repairer, or another duly qualified and equipped professional.

Vehicles with smart entry and start system—The slip indicator light comes on for a few seconds when the "ENGINE START STOP" switch is in IGNITION ON mode. If the indicator light does not come on when the "ENGINE START STOP" switch is in IGNITION ON mode, contact any authorized Toyota dealer or repairer, or another duly qualified and equipped professional.

SYSTEM FAILURE WARNING

Vehicles without smart entry and start system—

The slip indicator light comes on when there is a problem somewhere in the following systems:

- Traction control system
- "AUTO LSD" function
- VSC+ system
- Downhill assist control system
- Hill-start assist control system

The light will come on when the engine switch is turned to the "ON" position. When the systems work properly, the light turns off after a few seconds.

If the light comes on while driving, all the above systems do not work. In this case, the brakes will operate when applied, and normal driving may be resumed.

In the following cases, contact any authorized Toyota dealer or repairer, or another duly qualified and equipped professional:

- The slip indicator light does not come on when the engine switch is turned to the "ON" position.
- The slip indicator light remains on after the engine switch is turned to the "ON" position.
- The slip indicator light comes on while driving.

Vehicles with smart entry and start system—

The slip indicator light comes on when there is a problem somewhere in the following systems:

- Traction control system
- "AUTO LSD" function
- VSC+ system
- Downhill assist control system
- Hill-start assist control system

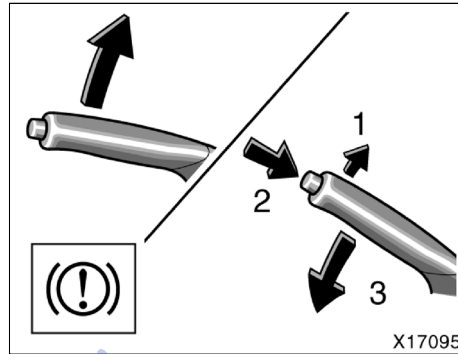
The light will come on when the "ENGINE START STOP" switch is in IGNITION ON mode. When the systems are work properly, the light turn off after a few seconds.

If the light comes on while driving, all the above systems do not work. In this case, the brakes will operate when applied, and normal driving may be resumed.

In the following cases, contact any authorized Toyota dealer or repairer, or another duly qualified and equipped professional:

- The slip indicator light does not come on when the "ENGINE START STOP" switch is turned to IGNITION ON mode.
- The slip indicator light remains on after the "ENGINE START STOP" switch is in IGNITION ON mode.
- The slip indicator light comes on while driving.

Parking brake



When parking, firmly apply the parking brake to avoid inadvertent creeping.

To set: Pull up the lever. For better holding power, first depress the brake pedal and hold it while setting the parking brake.

To release: Pull up the lever slightly (1), press the lock release button (2), and lower (3).

To remind you that the parking brake is set, the parking brake reminder light in the instrument panel remains on until you release the parking brake.

CAUTION

Before driving, be sure the parking brake is fully released and the parking brake reminder light is off.

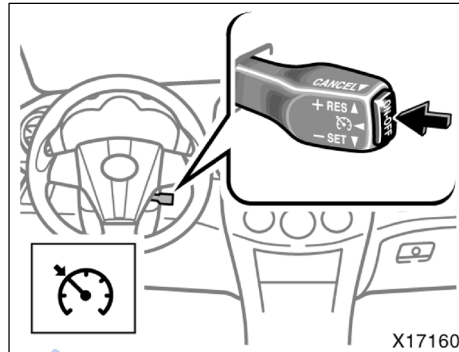
Cruise control

The cruise control is designed to maintain a set cruising speed without requiring the driver to operate the accelerator. Cruising speed can be set to any speed above approximately 40 km/h (25 mph).

Within the limits of the engine's capabilities, cruising speed can be maintained up or down grades. However, changes in vehicle speed may occur on steeper grades.

CAUTION

- To help maintain maximum control of your vehicle, do not use the cruise control when driving in heavy or varying traffic, or on slippery (rainy, icy or snow-covered) or winding roads.
- Avoid vehicle speed increases when driving downhill. If the vehicle speed is too fast in relation to the cruise control set speed, cancel the cruise control then downshift the transmission to use engine braking to slow down.
- Do not use cruise control when you are towing.



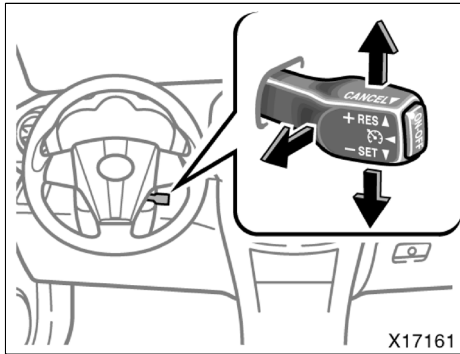
TURNING THE SYSTEM ON AND OFF

To turn the cruise control on, press the "ON-OFF" button. The cruise control indicator light on the instrument panel will come on to indicate that the cruise control is operational. Pressing the "ON-OFF" button again turns the system off.

When the system is turned off, cruising speed must be reset when the cruise control is turned on again.

CAUTION

To avoid accidentally engaging the cruise control, turn the system off when it is not in use. Make sure the cruise control indicator light is off.



X17161

SETTING THE CRUISING SPEED

Vehicles with automatic transmission (4-speed)—The shift lever must be in the “D” or “3” position before you set the cruising speed.

Vehicles with automatic transmission (6-speed)—The shift lever must be in the “D” position, between “D4” (fourth range) and “D6” (sixth range), before you set the cruising speed.

Vehicles with Multidrive—The shift lever must be in the “D” position, between “D4” (fourth gear step) and “D7” (seventh gear step) in the “D” position or between “M4” (fourth gear step) and “M7” (seventh gear step) in the “M” position before you set the cruising speed.

Bring your vehicle to the desired speed, push the lever down in the “- SET” direction and release it. This sets the vehicle at that speed. If the speed is not satisfactory, tap the lever up for a faster speed, or tap it down for a slower speed. Each tap changes the set speed by approximately 1.6 km/h (1.0 mph). You can now take your foot off the accelerator pedal.

If you need acceleration—for example, when passing—depress the accelerator pedal enough for the vehicle to exceed the set speed. When you release it, the vehicle will return to the speed set prior to the acceleration.

CAUTION

For manual transmission:

While driving with the cruise control on, do not shift to neutral without depressing the clutch pedal, as this may cause engine racing or overrevving.

CANCELLING THE CRUISE CONTROL

The cruise control may be temporarily cancelled by the driver or by the system itself under certain circumstances. Temporary cancellation allows the set cruising speed to remain in memory.

The cruise control can be temporarily cancelled by doing the following:

- Pulling the lever in the “CANCEL” direction and releasing it
- Depressing the brake pedal
- Depressing the clutch pedal

Under certain circumstances, the cruise control is temporarily cancelled:

- When vehicle speed falls below approximately 40 km/h (25 mph)
- When VSC+ system is activated

When vehicle speed drops approximately 16 km/h (10 mph) below the set speed, the cruise control is cancelled and the set speed is erased from memory.

The cruise control indicator light remains on to indicate that the system is still in operation.

To turn the cruise control off, press the "ON-OFF" button. Make sure the "cruise control" indicator light is off.

If the cruise control automatically cancels out other than for the above cases, have your vehicle checked by any authorized Toyota dealer or repairer, or another duly qualified and equipped professional, at the earliest opportunity.

RESUMING THE CRUISE CONTROL

If the cruise control is temporarily cancelled, the cruising speed can be resumed by pushing the lever up in the "+ RES" direction.

Vehicle speed must be above approximately 40 km/h (25 mph).

RESETTING TO A FASTER SPEED

Push the lever up in the "+ RES" direction and hold it. Release the lever when the desired speed is attained. While the lever is held up, the vehicle will gradually gain speed.

However, a faster way to reset is to accelerate the vehicle and then push the lever down in the "- SET" direction.

RESETTING TO A SLOWER SPEED

Push the lever down in the "- SET" direction and hold it. Release the lever when the desired speed is attained. While the lever is held down, the vehicle speed will gradually decrease.

On vehicles with VSC+ system, a sound may occur due to brake operation while the vehicle speed is decreasing. This does not indicate a malfunction.

However, a faster way to reset is to depress the brake pedal and then push the lever down in the "- SET" direction.

On vehicles with automatic transmission or Multidrive, even if you downshift the transmission from "D" to "3" or "D" to "M", with the cruise control on, engine braking will not be enabled because the cruise control is not cancelled. To decrease the vehicle speed, reset to a slower speed with the cruise control lever or depress the brake pedal. If you use the brake pedal, cruise control is cancelled.

CRUISE CONTROL FAILURE WARNING

If the cruise control indicator light flashes when using the cruise control, press the "ON-OFF" button to turn the system off and then press it again to turn it on.

If any following conditions then occurs, there is some trouble in the cruise control system.

- The indicator light does not come on.
- The indicator light flashes again.
- The indicator light goes out after it comes on.

If this is the case, contact any authorized Toyota dealer or repairer, or another duly qualified and equipped professional, and have your vehicle inspected.

امداد خودرو فارما

تلفن شبانه روزی: ۰۲۱-۸۸۸۶۲۰۸۵

FarmaSOS.com

Section 1-8 OPERATION OF INSTRUMENTS AND CONTROLS

Audio and hands-free phone systems

- Reference 282
- Using your audio system 282
- AUX port 304
- Audio remote controls 304
- Audio system operating hints 306
- Hands-free phone system 312

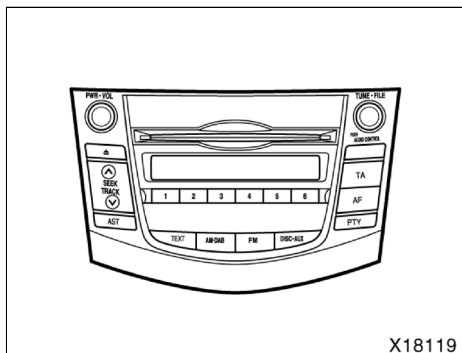
For vehicle equipped with Navigation system, please refer to the separate "Navigation system Owner's manual".

For vehicle equipped with "touch screen", please refer to the separate "touch screen" Owner's manual".

تلفن شبانه روزی: ۰۲۱-۸۸۶۲۰۸۵

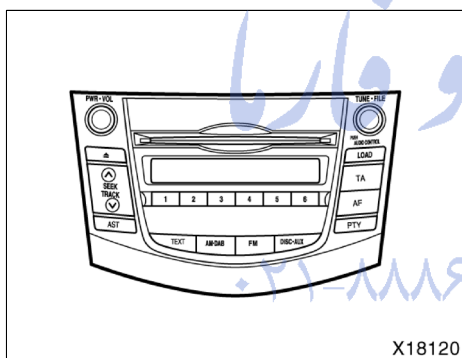
FarmaSOS.com

Reference



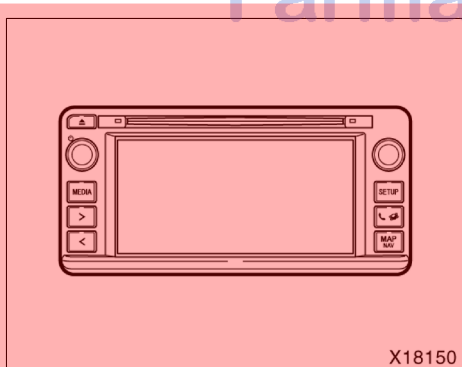
X18119

Type 1: AM-FM radio/compact disc player (with compact disc changer controller)



X18120

Type 2: AM-FM radio/compact disc player with changer



X18150

Type 3: "touch screen"*

*: Refer to "touch screen" Owner's manual".

Using your audio system— —Some basics (except type

3)

This section describes some of the basic features on Toyota audio systems. Some information may not pertain to your system.

Vehicles without smart entry and start system—Your audio system works when the engine switch is set at the "ACC" or "ON" position.

Vehicles with smart entry and start system—Your audio system works when the "ENGINE START STOP" switch is set at ACCESSORY or IGNITION ON mode.

CAUTION

- **Laser product**
This product is a class I laser product.
 - **A laser beam leak results in hazardous radiation exposure.**
 - **Do not open covers and do not repair it by yourself.**
- Refer servicing to qualified personnel.**

TURNING THE SYSTEM ON AND OFF

Push "PWR·VOL" to turn the audio system on and off.

Push "AM-DAB", "FM" or "DISC-AUX" to turn on that function without pushing "PWR·VOL".

You can turn on the compact disc player by inserting a compact disc.

You can turn off the player by ejecting the compact disc. If the audio system was previously off, then the entire audio system will be turned off when you eject the compact disc. If other function was previously playing, it will come on again.

SWITCHING BETWEEN FUNCTIONS

Push "AM-DAB", "FM" or "DISC-AUX" if the system is already on but you want to switch from one function to the another.

TONE AND BALANCE

For details about your system's tone and balance controls, see the description of your own system.

Tone

How good an audio program sounds to you is largely determined by the mix of the treble and bass levels. In fact, different kinds of music and vocal programs usually sound better with different mixes of treble and bass.

Balance

A good balance of the left and right stereo channels and of the front and rear sound levels is also important.

Keep in mind that if you are listening to a stereo recording or broadcast, changing the right/left balance will increase the volume of one group of sounds while decreasing the volume of another.

YOUR RADIO ANTENNA

Your vehicle has a mast type antenna. To remove the antenna, carefully turn it counterclockwise.

NOTICE

- ◆ *To prevent damage to the antenna, make sure it is removed before driving your Toyota through an automatic car wash.*
- ◆ *Before driving, ensure that the antenna is installed.*

- ◆ *When the antenna is removed, make sure to store it in a suitable place so as not to lose it. Also, before driving, make sure to reinstall the antenna in its original position.*

YOUR COMPACT DISC PLAYER

When you insert a disc, gently push it in with the label side up. The player will play from track 1 through to the end of the disc. Then it will play from track 1 again.

NOTICE

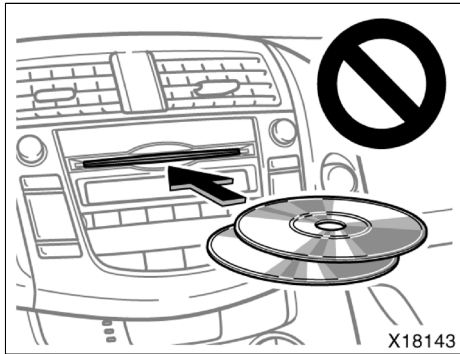
Never try to disassemble or oil any part of the compact disc player. Do not insert anything other than compact discs into the slot.

The player is intended for use with 12 cm (4.7 in.) disc only.

YOUR COMPACT DISC PLAYER WITH CHANGER (type 2)

When you insert a disc, push the "LOAD" button and gently push the disc in with the label side up. This compact disc player can store up to six discs. The player will play from track 1 through to the end of the disc. Then it will play from track 1 of the next disc.

The player is intended for use with 12 cm (4.7 in.) discs only.

**NOTICE**

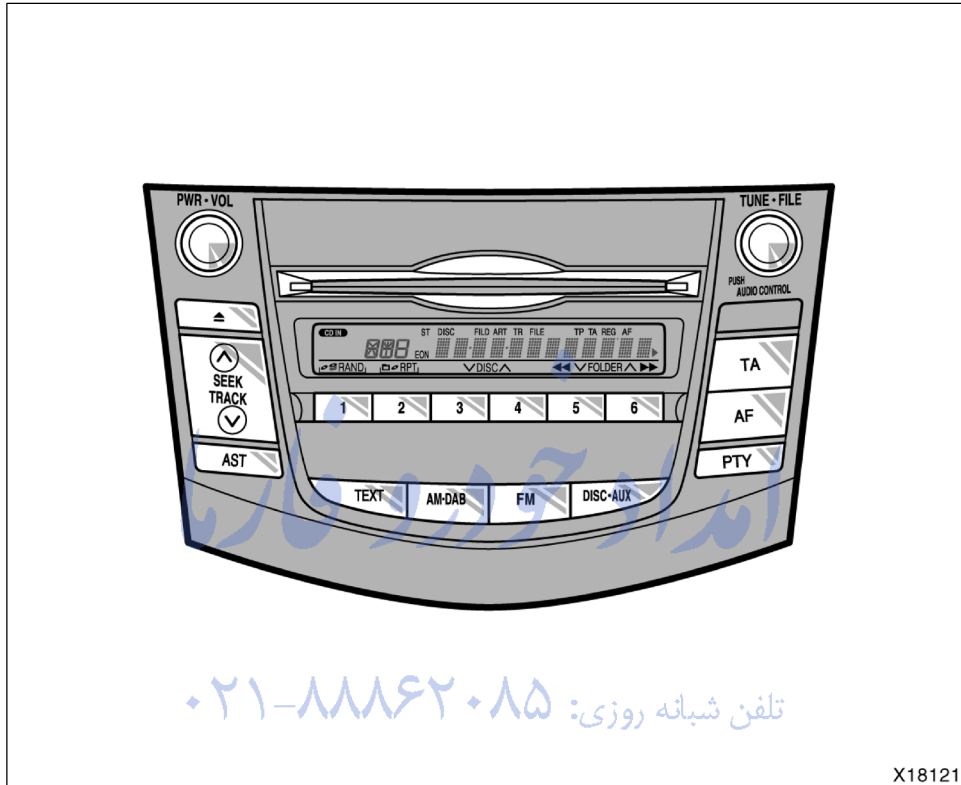
- ◆ *Do not stack up two discs for insertion, or it will cause damage to the compact disc player. Insert only one compact disc into slot at a time.*
- ◆ *Never try to disassemble or oil any part of the compact disc player. Do not insert anything except a compact disc into the slot.*

امداد خود را با شماره ۰۸۵+۲۱۸۸۶۲ تلفن شبانه روزی:

FarmaSOS.com

—Controls and features

►Type 1



Details of specific buttons, controls and features are described in the alphabetical list that follows.

FarmasOS.com

1 2 3 4 5 6 (Preset buttons)

These buttons are used to preset and tune in radio stations.

To preset a station to a button: Tune in the desired station. (See "SEEK/TRACK" or "TUNE-FILE".) Push and hold down the button until you hear a beep—this will set the station to the button. The preset button number will appear on the display.

To recall in to a preset station: Push the button for the station you want. The preset button number and station frequency will appear on the display.

This radio can store one AM and FM stations for each button (The display will show "AM" or "FM" when you push the "AM-DAB" or "FM" button).

▲ (Eject button)

Push this button to eject a compact disc.

AF (Alternative Frequency)

This button is used for seeking RDS (Radio Data System) stations all over the band.

Each time you push the "AF" button, the AF mode will change in the following order:

In AF-ON mode the radio changes frequency to the strongest signal of the selected station.

AF on: "AF" appears on the display. In this mode, the radio switches over to the broadcasting station providing good reception within the same PI (Program Identification) code. Switching between different regional programs of the same station might occur.

REG on: "REG AF" appears on the display. In this mode, the radio switches over to a broadcasting station providing good reception within the same local PI (Program Identification) code.

To turn the AF function off, push the button once again.

AM-DAB

Push the "AM-DAB" button to turn on the radio and select the AM band. "AM" will appear on the display.

AST (Autostore)

This button is used to automatically preset frequencies of up to six radio stations for each band (FM and AM).

Push the "AST" button until a beep is heard. If the radio cannot seek out any stations, it will receive the frequency before you operate "AST".

AUDIO CONTROL**Tone and sound balance adjustment function**

Each time you push the "AUDIO CONTROL" knob, the mode changes. To adjust the tone and balance, turn the knob.

BAS: Adjusts low-pitched tones. The display ranges from -5 to 5.

TRE: Adjusts high-pitched tones. The display ranges from -5 to 5.

FAD: Adjusts the sound balance between the front and rear speakers. The display ranges from F7 to R7.

BAL: Adjusts the sound balance between the right and left speakers. The display ranges from L7 to R7.

Switching over the Speed Automatic Sound Levelizer (ASL) level

ASL: The Automatic Sound Levelizer can be turned on by turning the knob. In addition, turning the knob allows you to select from LOW, MID, and HIGH volume and tone settings. The ASL system automatically adjusts volume and tone in accordance with the driving speed. This helps ensure an optimal listening experience even if noise levels rise while driving.

DISC·AUX (Compact Disc)

Push the "DISC·AUX" button to play a compact disc. Each time you push this button, the system changes between the compact disc player and the changer of separate unit if it is equipped.

When the audio is set into compact disc operation, the display shows the track number currently being played.

To switch between CD and AUX (external device) modes, press the "DISC·AUX" button. The AUX mode is only available when AUX port is connected to the system. When the AUX port is in use, "AUX" will appear on the display.

Error messages

If the player malfunctions, your audio system will display following error messages.

"WAIT": The compact disc player unit may be too hot. Allow the player to cool down.

"ERROR 1": The disc may be dirty, damaged or inserted incorrectly (up-side down). Clean the disc and re-insert it.

"NO DISC": The compact disc changer of separate unit is empty. Insert a disc.

"ERROR 3": There is a problem inside the system. Eject the disc or magazine. Set the disc or magazine again.

"ERROR 4": Over-current. Ask any authorized Toyota dealer or repairer, or another duly qualified and equipped professional, to inspect.

"CD OPEN": The compact disc changer lid of separate unit is open. Close the compact disc changer lid.

If **"NO MUSIC"** appears on the display, it indicates that a disc with no MP3/WMA data has been inserted. Remove the disc from the player and insert an MP3/WMA data disc.

If the malfunction still exists, take your vehicle to any authorized Toyota dealer or repairer, or another duly qualified and equipped professional.

∨ DISC ^

With compact disc changer only—

Use these buttons to select the disc you want to listen to.

Push "∨" (preset button 3) or "^" (preset button 4) until the number of the disc you want to listen appears on the display.

TEXT

Compact disc player

This button is used to change the display for the compact disc that contains text data.

To change the display, quickly push and release the "TEXT" button while the compact disc is playing. The display changes in the order from the elapsed time to disc title to track title, then back to the elapsed time.

If this button is pushed while a compact disc that does not contain text data is playing, "NO TITLE" will appear on the display.

If the entire disc or track title does not appear on the display, push and hold the button until you hear a beep. The rest of the title will appear.

MP3/WMA player

This button is used to change the display for the MP3/WMA file that contains text data.

To change the display, quickly push and release the "TEXT" button while the MP3/WMA file is playing. The display changes in the order from the elapsed time to folder name to file name to album title to track title to artist name, then back to the elapsed time.

If this button is pushed while an MP3/WMA file that does not contain text data is playing, "NO TITLE" will appear on the display.

If the entire text data is not displayed, push and hold it until you hear a beep. The rest of the text data will appear.

∨ FOLDER ^ (Folder up/down)

To skip up or down to a different folder: Push the "∨" (preset button 5) or "^" (preset button 6) until the number of the folder you want to listen to appears on the display.

To jump to the first file in the first folder: Push and hold the "∨" (preset button 5) until you hear a beep.

FM

Push the "FM" button to turn on the radio and select the FM band. "FM" will appear on the display.

PTY (Program Type)

When you push the "PTY" button while receiving an RDS station, the current program type appears on the display.

Each time you push the "PTY" button, the program type changes as in the following:

- NEWS
- SPORTS
- TALK
- POP
- CLASSICS

If no PTY code of RDS station is received, "NO PTY" will appear on the display.

If either "^" or "∨" side of the "SEEK/TRACK" button is pushed while the program type is appeared on the display, the radio will search a station that carries PTY code. If the radio cannot seek out any stations, "NOTHING" will appear on the display.

If the system is left untouched for 6 seconds while the program type is displayed, or if another operation is made, the program type display will disappear and the radio will broadcast a program of the last program type displayed.

ALARM: If an emergency broadcast is received during reception of FM broadcasting or the TA mode you will hear a beep and "ALARM" appears on the display.

PWR·VOL (Power and Volume)

Push the "PWR·VOL" knob to turn the audio system on and off. Turn the "PWR·VOL" knob to adjust the volume.

RAND (Random)**Compact disc player**

There are two random features—You can either listen to the tracks on one compact disc in random order, or listen to the tracks on all the compact discs in the magazine in random order.

To play the tracks on one disc in random order:

Quickly push and release “RAND” (preset button 1). “RAND” will appear on the display and the player will perform the tracks on the disc you are listening to in random order. To turn off the random feature, push this button again.

With compact disc changer only—

To play all the tracks in the magazine in random order:

Push and hold “RAND” (preset button 1) until you hear a beep. “RAND” will appear on the display and the player will perform all the tracks on all the discs in the magazine in random order. To turn off the random feature, push this button again.

MP3/WMA player

There are two random playback features—you can either listen to all of the files on the compact discs in random order. You can also listen to the files in a single folder in random order.

To randomly play the files in a folder: Quickly push and release “RAND” (preset button 1). “RAND” will appear on the display.

To randomly play all of the files on the compact disc:

Push and hold “RAND” (preset button 1) until you hear a beep. “RAND” will appear on the display and the player will play all of the files on the disc in random order. To turn off the random playback feature, push this button again.

RPT (Repeat)**Compact disc player**

There are two repeat features—You can either replay a disc track or a whole compact disc.

Repeating a track:

Quickly push and release “RPT” (preset button 2) while the track is playing. “RPT” will appear on the display. When the track ends, it will automatically replay. To turn off the repeat feature, push this button again.

With compact disc changer only—

Repeating a disc:

Push and hold “RPT” (preset button 2) until you hear a beep. “RPT” will appear on the display. The player will repeat all the tracks on the disc you are listening to. When the disc ends, the player will automatically go back to the first track on the disc and replay. To turn off the repeat feature, push this button again.

MP3/WMA player

There are two repeat features—You can repeat a signal file or an entire folder.

Repeating a file:

Quickly push and release “RPT” (preset button 2) while the file is playing. “RPT” will appear on the display. When the file ends, it will repeat automatically. This process will be continued until you push the button again to turn off the repeat feature.

Repeating a folder:

Push and hold “RPT” (preset button 2) until you hear a beep. “RPT” will appear on the display. The player will repeat all of the files in the folder. When the last file in the folder ends, the folder will repeat from the beginning. To turn off the repeat feature, push this button again.

SEEK/TRACK (Seeking/Track up/down)**Radio**

In the seek mode, the radio finds and plays the next station up or down the station band.

To seek the next station, quickly push and release “^” or “v” side of the “SEEK/TRACK” button. Do this again to find the station after that.

Compact disc player

By using this button, you can either skip up/down to a different track or fast forward/reverse the track you are listening to.

Skip up/down tracks:

Quickly push and release “^” or “v” side of the “SEEK/TRACK” button. The track number will appear on the display.

Fast forward/reverse tracks:

Push and hold “^” or “v” side of the “SEEK/TRACK” until you hear a beep. While you are holding the button, the player will fast forward/reverse the track. When you release the button, the player will resume playing.

MP3/WMA player

To file up or down to a different file: Push either side of the “TRACK” several times until the file you want to listen to appears on the display. If you want to return to the beginning of the current file, push the “v” side of the button one time, quickly.

To fast forward or reverse the disc:

Push and hold it until you hear a beep. When you release the button, the player will resume playing.

ST (Stereo reception) display

Your radio automatically changes to stereo reception when a stereo broadcast is received. “ST” appears on the display. If the signal becomes weak, the radio reduces the amount of channel separation to prevent the weak signal from creating noise. If the signal becomes extremely weak, the radio switches from stereo to mono reception.

TA (Traffic Announcement)

This button is used for receiving TA stations all over the band.

EON (Enhanced Other Network) system—If the RDS station (with EON data) you are listening to is not broadcasting a traffic information program at the TA (Traffic Announcement) mode, the radio will be switched to the traffic information program automatically by using the EON AF list. After the traffic information ends, the radio will return to the initial program automatically. A beep will sound to tell you when this feature starts and ends the operation.

When receiving FM:

Push the “TA” button to switch the radio mode to TP (Traffic Program). “TP” will appear on the display.

In the TP mode, the radio will begin seeking a TP station. If the radio seek out a TP station, the program name will appear on the display. If the TA station is received, the radio will be switched to the traffic information program automatically. When the program ends, the initial operation resumes. When also in AF mode, the radio will seek a TP station by using the AF list.

Push the “TA” button once again to switch the radio mode to TA. “TA” will appear on the display and the radio will mute the volume of FM station.

In the TA mode, the radio will begin seeking a TP station. It sounds only when a TP station is received. When a TP station is received, the program service name will appear on the display. In the AF mode, the radio will also begin seeking a TP station by using the AF list.

While the radio is seeking a TP station, "TP SEEK" appears on the display. If the radio cannot seek out any TP stations, "NOTHING" will appear on the display for 2 seconds and the radio will begin seeking a TP station again.

If the TP signal is halted for 20 seconds after the TP mode was set, the radio will seek another TP station automatically.

When listening to a compact disc:

Push the "TA" button to switch the radio mode to TA. "TA" will appear on the display.

When the traffic information program starts, the "CD" mode is interrupted and the traffic information is automatically broadcasted. When the program ends, the initial operation resumes.

"TA" volume memory function—The volume at receiving the traffic announcement is memorized.

The range of volume memory is limited: if the volume received previously is greater than the maximum range of the volume, this will become the maximum range and if it is less than the minimum, this volume will be the minimum range.

You can adjust the volume independently from the memorized "TA" volume range while receiving a "TA" station. (Refer to "PWR·VOL".)

To return to the normal mode from the TA mode, push the "TA" button once again.

TUNE·FILE (Tuning/file up/down)

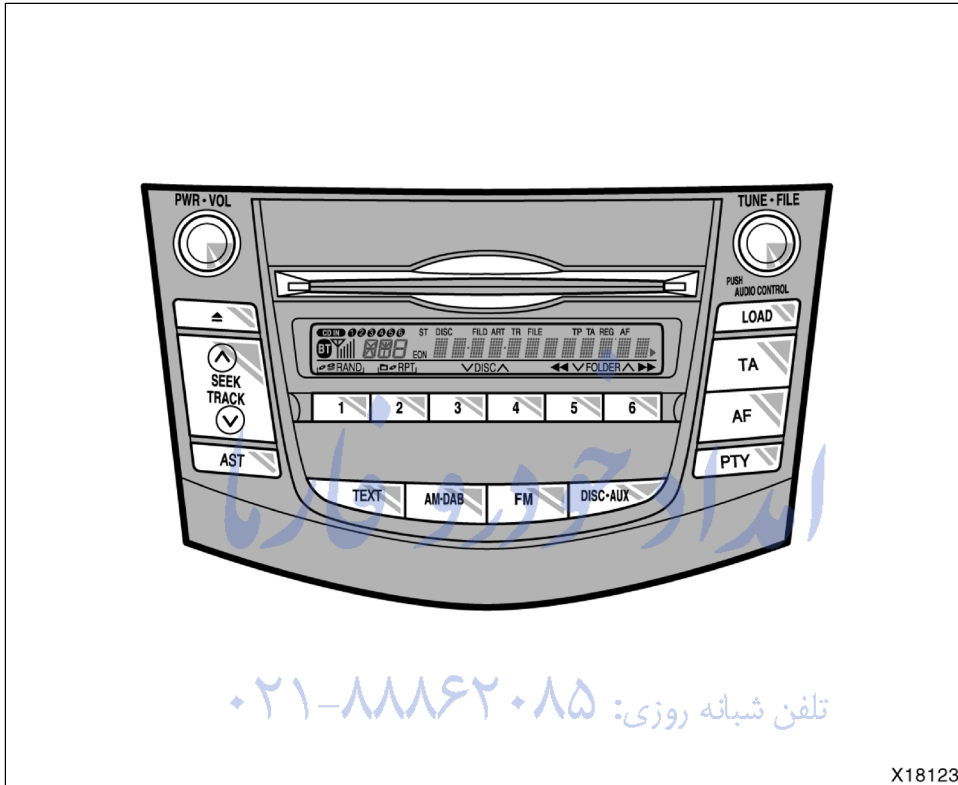
Radio

Turn the "TUNE·FILE" knob clockwise to step up the frequency. Turn the knob counterclockwise to step down the frequency.

MP3/WMA player

Turn the knob clockwise to file up. Turn the knob counterclockwise to file down.

► Type 2



Details of specific buttons, controls and features are described in the alphabetical list that follows.

FarmaSOS.com

1 2 3 4 5 6 (Preset buttons)

These buttons are used to preset and tune in radio stations.

To preset a station to a button: Tune in the desired station. (See "SEEK/TRACK" or "TUNE·FILE".) Push and hold down the button until you hear a beep—this will set the station to the button. The preset button number will appear on the display.

To recall a preset station: Push the button for the station you want. The preset button number and station frequency will appear on the display.

This radio can store one AM and FM stations for each button. (The display will show "AM" or "FM" when you push the "AM-DAB" or "FM" button.)

▲ (Eject button)

Push this button to eject one or all compact discs.

To eject the current compact disc, push and release the button.

To eject a specific disc, push the "√" (preset button 3) or "∧" (preset button 4) until the number of the disc you want to eject is displayed. Push and release the eject button.

To eject all discs at a time, push and hold the eject button until you hear a beep. The last compact disc played before pushing the button will be ejected first. If the ejected disc is not removed for a long time, the eject function will be cancelled.

AF (Alternative Frequency)

This button is used for seeking RDS (Radio Data System) stations all over the band.

Each time you push the "AF" button, the AF mode will change in the following order:

In AF-ON mode the radio changes frequency to the strongest signal of the selected station.

AF on: "AF" appears on the display. In this mode, the radio switches over to the broadcasting station providing good reception within the same PI (Program Identification) code. Switching between different regional programs of the same station might occur.

REG on: "REG AF" appears on the display. In this mode, the radio switches over to a broadcasting station providing good reception within the same local PI (Program Identification) code.

To turn the AF function off, push the button once again.

AM-DAB

Push the "AM-DAB" button to turn on the AM band. "AM" will appear on the display.

AST (Autostore)

This button is used to automatically preset frequencies of up to six radio stations for each band (FM and AM).

Push the "AST" button until a beep is heard. If the radio cannot seek out any stations, it will receive the frequency before you operate "AST".

AUDIO CONTROL

Tone and sound balance adjustment function

Each time you push the "AUDIO CONTROL" knob, the mode changes. To adjust the tone and balance, turn the knob.

BAS: Adjusts low-pitched tones. The display ranges from -5 to 5.

TRE: Adjusts high-pitched tones. The display ranges from -5 to 5.

FAD: Adjusts the sound balance between the front and rear speakers. The display ranges from F7 to R7.

BAL: Adjusts the sound balance between the right and left speakers. The display ranges from L7 to R7.

Switching over the Speed Automatic Sound Levelizer (ASL) level

ASL: The Automatic Sound Levelizer can be turned on by turning the knob. In addition, turning the knob allows you to select from LOW, MID, and HIGH volume and tone settings. The ASL system automatically adjusts volume and tone in accordance with the driving speed. This helps ensure an optimal listening experience even if noise levels rise while driving.

DISC-AUX (Compact Disc)

Push the "DISC-AUX" button to play a compact disc.

When the audio system is set into compact disc operation, the display shows the track, or track and disc number currently being played.

To switch between CD and AUX (external device) modes, press the "DISC-AUX" button. The AUX mode is only available when AUX port is connected to the system. When the AUX port is in use, "AUX" will appear on the display.

Error messages

If the player malfunctions, your audio system will display following error messages.

"WAIT": The compact disc player unit may be too hot. Allow the player to cool down.

"ERROR 1": The disc may be dirty, damaged or inserted incorrectly (up-side down). Clean the disc and re-insert it.

"NO DISC": The compact disc changer of separate unit is empty. Insert a disc.

"ERROR 3": There is a problem inside the system. Eject the disc or magazine. Set the disc or magazine again.

"ERROR 4": Over-current. Ask any authorized Toyota dealer or repairer, or another duly qualified and equipped professional, to inspect.

"CD OPEN": The compact disc changer lid of separate unit is open. Close the compact disc changer lid.

If "NO MUSIC" appears on the display, it indicates that a disc with no MP3/WMA data has been inserted. Remove the disc from the player and insert an MP3/WMA data disc.

If the malfunction still exists, take your vehicle to any authorized Toyota dealer or repairer, or another duly qualified and equipped professional.

∨ DISC ∧

Use these buttons to select the disc you want to listen to.

Push "∨" (preset button 3) or "∧" (preset button 4) until the number of the disc you want to listen appears on the display.

TEXT**Compact disc player**

This button is used to change the display for the compact disc that contains text data.

To change the display, quickly push and release the "TEXT" button while the compact disc is playing. The display changes in the order from the elapsed time to disc title to track title, then back to the elapsed time.

If this button is pushed while a compact disc that does not contain text data is playing, "NO TITLE" will appear on the display.

If the entire disc or track title does not appear on the display, push and hold the button until you hear a beep. The rest of the title will appear.

MP3/WMA player

This button is used to change the display for the MP3/WMA file that contains text data.

To change the display, quickly push and release the "TEXT" button while the MP3/WMA file is playing. The display changes in the order from the elapsed time to folder name to album title to track title to artist name, then back to the elapsed time.

If this button is pushed while an MP3/WMA file that does not contain text data is playing, "NO TITLE" will appear on the display.

If the entire text data is not displayed, push and hold it until you hear a beep. The rest of the text data will appear.

∇ FOLDER ^ (Folder up/down)

To skip up or down to a different folder: Push the "∇" (preset button 5) or "^" (preset button 6) until the number of the folder you want to listen to appears on the display.

To jump to the first file in the first folder: Push and hold the "∇" (preset button 5) until you hear a beep.

When playing a disc featuring both audio data (CD-DA) and MP3/WMA files, audio data (CD-DA) is played.

FM

Push the "FM" button to turn on the radio and select the FM band. "FM" will appear on the display.

LOAD

This button is used to load compact discs in the compact disc player. This player can store up to six discs.

To load one compact disc only, quickly push and release the button. When the indicators on both sides of the slot turn green, insert the compact disc. After the disc is loaded, the shutter of the slot will close.

If no compact disc is inserted, the shutter will close after 15 seconds.

To load multiple compact discs, push and hold the button (until you hear a beep when the audio system is on). When the indicators on both sides of the slot turn green, insert the first compact disc. After the disc is loaded, the shutter of the slot will close. After a few seconds, the shutter will automatically open again and the indicators will turn green so the next disc can be inserted. The same process can be applied for loading the rest of the discs.

If no compact disc is inserted, the shutter will close after 15 seconds.

PTY (Program Type)

When you push the “PTY” button while receiving an RDS station, the current program type appears on the display.

Each time you push the “PTY” button, the program type changes as in the following:

- NEWS
- SPORTS
- TALK
- POP
- CLASSICS

If no PTY code of RDS station is received, “NO PTY” will appear on the display.

If either “^” or “v” side of the “SEEK/TRACK” button is pushed while the program type is appeared on the display, the radio will search a station that carries PTY code. If the radio cannot seek out any stations, “NOTHING” will appear on the display.

If the system is left untouched for 6 seconds while the program type is displayed, or if another operation is made, the program type display will disappear and the radio will broadcast a program of the last program type displayed.

ALARM: If an emergency broadcast is received during reception of FM broadcasting or the TA mode you will hear a beep and “ALARM” appears on the display.

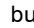
PWR·VOL (Power and Volume)

Push the “PWR·VOL” knob to turn the audio system on and off. Turn the “PWR·VOL” knob to adjust the volume.


RAND (Random)**Compact disc player**

There are two random features—You can either listen to the tracks on one compact disc in random order, or listen to the tracks on all the compact discs in the magazine in random order.

To play the tracks on one disc in random order:

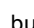
Quickly push and release “RAND” (preset button 1). “ RAND” will appear on the display and the player will perform the tracks on the disc you are listening to in random order. To turn off the random feature, push this button again.

To play all the tracks in the magazine in random order:

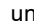
Push and hold “RAND” (preset button 1) until you hear a beep. “ RAND” will appear on the display and the player will perform all the tracks on all the discs in the magazine in random order. To turn off the random feature, push this button again.

MP3/WMA player

There are two random playback features—you can either listen to all of the files on the compact discs in random order. You can also listen to the files in a single folder in random order.

To randomly play the files in a folder: Quickly push and release “RAND” (preset button 1). “ RAND” will appear on the display.


To randomly play all of the files on the compact disc:

Push and hold “RAND” (preset button 1) until you hear a beep. “ RAND” will appear on the display and the player will play all of the files on the disc in random order. To turn off the random playback feature, push this button again.

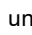
RPT (Repeat)**Compact disc player**

There are two repeat features—You can either replay a disc track or a whole compact disc.

Repeating a track:

Quickly push and release “RPT” (preset button 2) while the track is playing. “ RPT” will appear on the display. When the track ends, it will automatically replay. To turn off the repeat feature, push this button again.

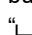
Repeating a disc:

Push and hold “RPT” (preset button 2) until you hear a beep. “ RPT” will appear on the display. The player will repeat all the tracks on the disc you are listening to. When the disc ends, the player will automatically go back to the first track on the disc and replay. To turn off the repeat feature, push this button again.

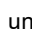
MP3/WMA player

There are two repeat features—You can repeat a signal file or an entire folder.

Repeating a file:

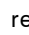
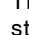
Quickly push and release “RPT” (preset button 2) while the file is playing. “ RPT” will appear on the display. When the file ends, it will repeat automatically. This process will be continued until you push the button again to turn off the repeat feature.

Repeating a folder:

Push and hold “RPT” (preset button 2) until you hear a beep. “ RPT” will appear on the display. The player will repeat all of the files in the folder. When the last file in the folder ends, the folder will repeat from the beginning. To turn off the repeat feature, push this button again.

SEEK/TRACK (Seeking/Track up/down)**Radio**



In the seek mode, the radio finds and plays the next station up or down the station band.

To seek the next station, quickly push and release “” or “” side of the “SEEK/TRACK” button. Do this again to find the station after that.



Compact disc player

By using this button, you can either skip up/down to a different track or fast forward/reverse the track you are listening to.

Skip up/down tracks:

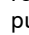
Quickly push and release “” or “” side of the “SEEK/TRACK” button. The track number will appear on the display.

Fast forward/reverse tracks:

Push and hold “” or “” side of the “SEEK/TRACK” until you hear a beep. While you are holding the button, the player will fast forward/reverse the track. When you release the button, the player will resume playing.

MP3/WMA player

To file up or down to a different file:

Push either side of the “TRACK” several times until the file you want to listen to appears on the display. If you want to return to the beginning of the current file, push the “” side of the button one time, quickly.

To fast forward or reverse the disc:

Push and hold it until you hear a beep. When you release the button, the player will resume playing.

ST (Stereo reception) display

Your radio automatically changes to stereo reception when a stereo broadcast is received. "ST" appears on the display. If the signal becomes weak, the radio reduces the amount of channel separation to prevent the weak signal from creating noise. If the signal becomes extremely weak, the radio switches from stereo to mono reception.

TA (Traffic Announcement)

This button is used for receiving TA stations all over the band.

EON (Enhanced Other Network) system—If the RDS station (with EON data) you are listening to is not broadcasting a traffic information program at the TA (Traffic Announcement) mode, the radio will be switched to the traffic information program automatically by using the EON AF list. After the traffic information ends, the radio will return to the initial program automatically. A beep will sound to tell you when this feature starts and ends the operation.

When receiving FM:

Push the "TA" button to switch the radio mode to TP (Traffic Program). "TP" will appear on the display.

In the TP mode, the radio will begin seeking a TP station. If the radio seek out a TP station, the program name will appear on the display. If the TA station is received, the radio will be switched to the traffic information program automatically. When the program ends, the initial operation resumes. When also in AF mode, the radio will seek a TP station by using the AF list.

Push the "TA" button once again to switch the radio mode to TA. "TA" will appear on the display and the radio will mute the volume of FM station.

In the TA mode, the radio will begin seeking a TP station. It sounds only when a TP station is received. When a TP station is received, the program service name will appear on the display. In the AF mode, the radio will also begin seeking a TP station by using the AF list.

While the radio is seeking a TP station, "TP SEEK" appears on the display. If the radio cannot seek out any TP stations, "NOTHING" will appear on the display for 2 seconds and the radio will begin seeking a TP station again.

If the TP signal is halted for 20 seconds after the TP mode was set, the radio will seek another TP station automatically.

When listening to a compact disc:

Push the "TA" button to switch the radio mode to TA. "TA" will appear on the display.

When the traffic information program starts, the "CD" mode is interrupted and the traffic information is automatically broadcasted. When the program ends, the initial operation resumes.

"TA" volume memory function—The volume at receiving the traffic announcement is memorized.

The range of volume memory is limited: if the volume received previously is greater than the maximum range of the volume, this will become the maximum range and if it is less than the minimum, this volume will be the minimum range.

You can adjust the volume independently from the memorized "TA" volume range while receiving a "TA" station. (Refer to "PWR·VOL")

To return to the normal mode from the TA mode, push the "TA" button once again.

TUNE·FILE (Tuning/file up/down)**Radio**

Turn the "TUNE·FILE" knob clockwise to step up the frequency. Turn the knob counterclockwise to step down the frequency.

MP3/WMA player

Turn the knob clockwise to file up. Turn the knob counterclockwise to file down.

امداد خودرو فارما

تلفن شبانه روزی: ۰۲۱-۸۸۸۶۲۰۸۵

FarmaSOS.com

► Type 3



تلفن شبانه روزی: ۰۲۱-۸۸۸۶۲۰۸۵

X18151t

Refer to separate "touch screen" Owner's manual.

FarmaSOS.com

Panasonic Corporation
Automotive Systems Company

4261 Ikonobe-Cho, Tsuzuki-Ku, Yokohama 224-8520 Japan

DECLARATION of CONFORMITY

We, **Panasonic Corporation Automotive Systems Company**
4261 Ikonobe-cho, Tsuzuki-ku, Yokohama-shi, Kanagawa 224-8520 Japan

declare under our sole responsibility that the product:

Product : Bluetooth Module Assy

Model/Type : YEAP01A046 / YEAP01A049 / YEAP01A112

to which this declaration relates is in conformity with the essential requirements and other relevant requirements of the R&TTE Directive (1999/5/EC).
The product is in conformity with the following standards:

RADIO : EN 300 328 V1.7.1: 2006-10

EMC : EN 301 489-1 V1.8.1: 2008-04

EN 301 489-3 V1.4.1: 2002-08

EN 301 489-17 V2.1.1: 2009-05

SAFETY : EN 60950-1: 2006 + Amd.11: 2009

 **FarmaSOS.com**

Date : August 24, 2010

Signature : 

Name : Kimito Terai

Title : Staff Engineer

Panasonic Corporation tímto prohlašuje, že tento YEAP01A046 / YEAP01A049 / YEAP01A112 je ve shodě se základními požadavky a dalšími příslušnými ustanoveními směrnice 1999/5/ES.

Undertegnede Panasonic Corporation erklærer herved, at følgende udstyr YEAP01A046 / YEAP01A049 / YEAP01A112 overholder de væsentlige krav og øvrige relevante krav i direktiv 1999/5/EF.

Hiermit erklärt Panasonic Corporation, dass sich das Gerät YEAP01A046 / YEAP01A049 / YEAP01A112 in Übereinstimmung mit den grundlegenden Anforderungen und den übrigen einschlägigen Bestimmungen der Richtlinie 1999/5/EG befindet.

Käesolevaga kinnitab Panasonic Corporation seadme YEAP01A046 / YEAP01A049 / YEAP01A112 vastavust direktiivi 1999/5/EÜ põhinõuetele ja nimetatud direktiivist tulenevatele teistele asjakohastele sätetele.

Hereby, Panasonic Corporation, declares that this YEAP01A046 / YEAP01A049 / YEAP01A112 is in compliance with the essential requirements and other relevant provisions of Directive 1999/5/EC.

Por medio de la presente Panasonic Corporation declara que el YEAP01A046 / YEAP01A049 / YEAP01A112 cumple con los requisitos esenciales y cualesquiera otras disposiciones aplicables o exigibles de la Directiva 1999/5/CE.

ΜΕ ΤΗΝ ΠΑΡΟΥΣΑ Panasonic Corporation ΔΗΛΩΝΕΙ ΟΤΙ YEAP01A046 / YEAP01A049 / YEAP01A112 ΣΥΜΜΟΡΦΩΝΕΤΑΙ ΠΡΟΣ ΤΙΣ ΟΥΣΙΩΔΕΙΣ ΑΠΑΙΤΗΣΕΙΣ ΚΑΙ ΤΙΣ ΛΟΙΠΕΣ ΣΧΕΤΙΚΕΣ ΔΙΑΤΑΞΕΙΣ ΤΗΣ ΟΔΗΓΙΑΣ 1999/5/ΕΚ.

Par la présente Panasonic Corporation déclare que l'appareil YEAP01A046 / YEAP01A049 / YEAP01A112 est conforme aux exigences essentielles et aux autres dispositions pertinentes de la directive 1999/5/CE.

Con la presente Panasonic Corporation dichiara che questo YEAP01A046 / YEAP01A049 / YEAP01A112 è conforme ai requisiti essenziali ed alle altre disposizioni pertinenti stabilite dalla direttiva 1999/5/CE.

Ar šo Panasonic Corporation deklarē, ka YEAP01A046 / YEAP01A049 / YEAP01A112 atbilst Direktīvas 1999/5/EK būtiskajām prasībām un citiem ar to saistītajiem noteikumiem.

Šiuo Panasonic Corporation deklaruoja, kad šis YEAP01A046 / YEAP01A049 / YEAP01A112 atitinka esminius reikalavimus ir kitas 1999/5/EB Direktyvos nuostatas.

Hierbij verklaart Panasonic Corporation dat het toestel YEAP01A046 / YEAP01A049 / YEAP01A112 in overeenstemming is met de essentiële eisen en de andere relevante bepalingen van richtlijn 1999/5/EG.

Hawnhekk, Panasonic Corporation, jiddikjara li dan YEAP01A046 / YEAP01A049 / YEAP01A112 jikkonforma mal-ftiġġijiet essenzjali u ma provvedimenti oħrajn relevanti li hemm fid-Dirrettiva 1999/5/EC.

Alulírott, Panasonic Corporation nyilatkozom, hogy a YEAP01A046 / YEAP01A049 / YEAP01A112 megfelel a vonatkozó alapvető követelményeknek és az 1999/5/EC irányelv egyéb előírásainak.

Niniejszym Panasonic Corporation oświadcza, że YEAP01A046 / YEAP01A049 / YEAP01A112 jest zgodny z zasadniczymi wymogami oraz pozostałymi stosownymi postanowieniami Dyrektywy 1999/5/EC.

Panasonic Corporation declara que este YEAP01A046 / YEAP01A049 / YEAP01A112 está conforme com os requisitos essenciais e outras disposições da Directiva 1999/5/CE.

Panasonic Corporation izjavlja, da je ta YEAP01A046 / YEAP01A049 / YEAP01A112 v skladu z bistvenimi zahtevami in ostalimi relevantnimi določili direktive 1999/5/ES.

Panasonic Corporation týmto vyhlasuje, že YEAP01A046 / YEAP01A049 / YEAP01A112 spĺňa základné požiadavky a všetky príslušné ustanovenia Smernice 1999/5/ES.

Panasonic Corporation vakuuttaa täten että YEAP01A046 / YEAP01A049 / YEAP01A112 tyyppinen laite on direktiivin 1999/5/EY oleellisten vaatimusten ja sitä koskevien direktiivin muiden ehtojen mukainen.

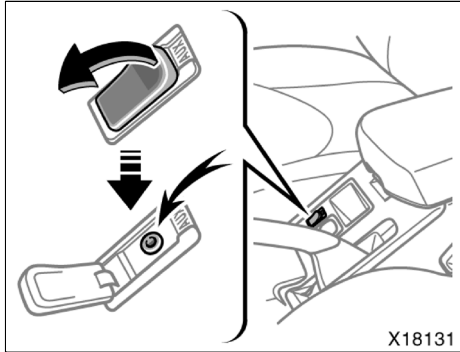
Härmed intygar Panasonic Corporation att denna YEAP01A046 / YEAP01A049 / YEAP01A112 står i överensstämmelse med de väsentliga egenskapskrav och övriga relevanta bestämmelser som framgår av direktiv 1999/5/EG.

Hér með lýsir Panasonic Corporation yfir því að YEAP01A046 / YEAP01A049 / YEAP01A112 er í samræmi við grunnkröfur og aðrar kröfur, sem gerðar eru í tilskipun 1999/5/EC.

Panasonic Corporation erklærer herved at udstyret YEAP01A046 / YEAP01A049 / YEAP01A112 er i samsvar med de grundlæggende krav og øvrige relevante krav i direktiv 1999/5/EF.

Ovim, Panasonic Corporation, izjavlja da ovaj YEAP01A046 / YEAP01A049 / YEAP01A112 je usklađen sa bitnim zahtjevima i drugim relevantnim odredbama Direktive 1999/5/EC.

AUX port



X18131

An AUX port is installed in the rear console box.

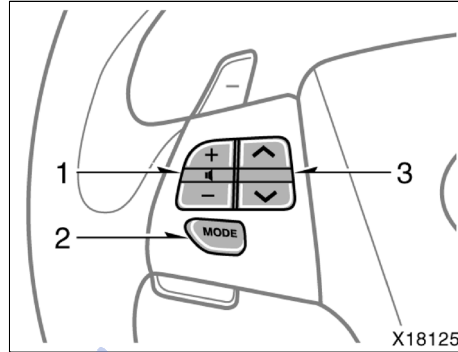
By inserting a mini plug into the AUX port, you can listen to music from a portable audio device through the vehicle's speaker system.

To use the AUX port, switch to the AUX mode (external device mode) by pressing the "DISC-AUX" button. When the AUX port is in use, "AUX" will appear on the display. To adjust the volume, turn the "PWR-VOL" knob.

When using a portable audio device connected to the power outlet or cigarette lighter, noise may occur during playback. If this happens, use the power source of the portable audio device.

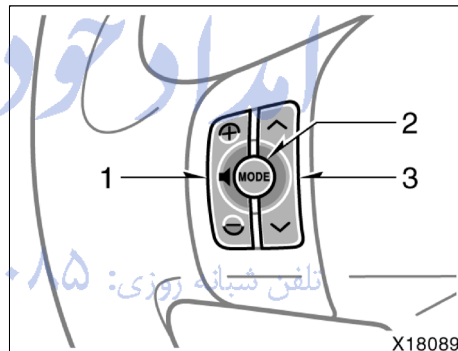
If you install an audio system other than a genuine audio system, you will not be able to use the AUX port.

Audio remote controls (steering switches)



X18125

Type A



X18089

Type B

Some parts of the audio system can be adjusted using the switches on the steering wheel.

Details of the specific switches, controls, and features are described below.

1. "+ -" switch
2. "MODE" switch
3. "^ v" switch

“+ -” switch

Push “+” side to increase the volume. The volume continues to increase while the switch is being pushed.

Push “-” side to decrease the volume. The volume continues to decrease while the switch is being pushed.

“MODE” switch

Push “MODE” switch to select an audio mode. Each push changes the mode sequentially if the desired mode is ready to use.

To turn the audio system on, push the “MODE” switch.

To turn the audio system off, push and hold the “MODE” switch until the system turns off.

“^ v” switch**Radio**

To select a preset station:

Quickly push and release the “^” or “v” side of the switch. Do this again to select the next preset station.

To seek a station:

Push and hold the “^” or “v” side of the switch until you hear a beep. Do this again to find the next station. If you push the switch on either side during the seek mode, seeking will be cancelled.

To step up or down the frequency, push and hold the switch even after you hear a beep. When you release from the switch, the radio will begin seeking up or down for a station. Do this again to find the next station.

Compact disc player

To select a desired track:

Quickly push and release the “^” or “v” side of the switch until the track you want to listen to is set. If you want to return to the beginning of the current track, push the “v” side of the switch once, quickly.

With compact disc changer only—

To select a desired disc:

Push and hold the “^” or “v” side of the switch until the disc you want to listen to is set.

MP3/WMA player

To select a desired file:

Quickly push and release the “^” or “v” side of the switch until the file you want to listen to is set. If you want to return to the beginning of the current file, push the “v” side of the switch once, quickly.

To select a desired folder:

Push and hold the “^” or “v” side of the switch until you hear a beep. Repeat this until the folder you want to listen to is set.

With compact disc changer only—

To select a desired disc:

Push and hold the “^” or “v” side of the switch until you hear a beep. Repeat this until the disc you want to listen to is set.

Audio system operating hints**NOTICE**

To ensure correct audio system operations:

- ◆ *Be careful not to spill beverages over the audio system.*
- ◆ *Do not put anything other than a CD into the slot.*
- ◆ *The use of a cellular phone inside or near the vehicle may cause a noise from the speakers of the audio system which you are listening to. However, this does not indicate a malfunction.*

CARING FOR YOUR COMPACT DISC PLAYER AND DISCS

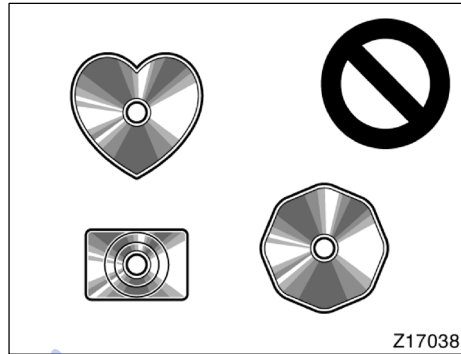
- Your compact disc player is intended for use with 12 cm (4.7 in.) discs only.
- Extremely high temperatures can keep your compact disc player from working. On hot days, use the air conditioning to cool the vehicle interior before you listen to a disc.
- Bumpy roads or other vibrations may make your compact disc player skip.
- If moisture gets into your compact disc player, you may not hear any sound even though your compact disc player appears to be working. Remove the disc from the player and wait until it dries.

RADIO RECEPTION

FM broadcasts have a range of about 40 km or 25 miles. When driving away from a station you may have to fine-tune your radio and turn up the volume as the station gets weaker. Because FM uses a line-of-sight signal, tall buildings or hills may sometimes block reception. These are all normal characteristics of FM reception and do not indicate any problem with the radio itself.

CAUTION

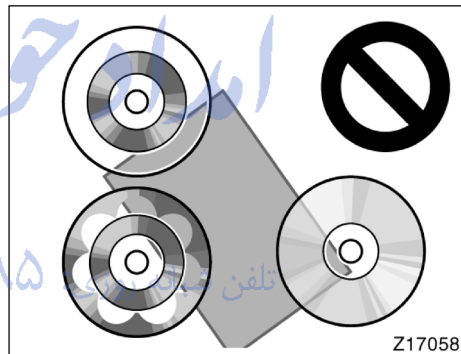
Compact disc players use an invisible laser beam which could cause hazardous radiation exposure if directed outside the unit. Be sure to operate the player correctly.



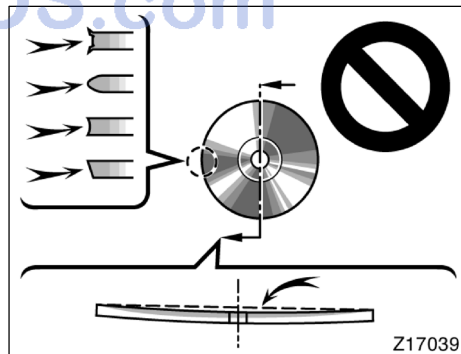
Special shaped discs

- Use only compact discs marked as shown above. The following products may not be playable on your compact disc player.

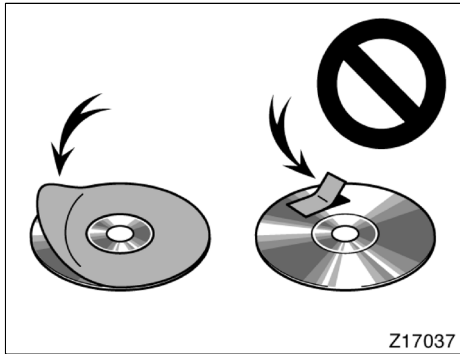
Copy-protected CD
CD-ROM



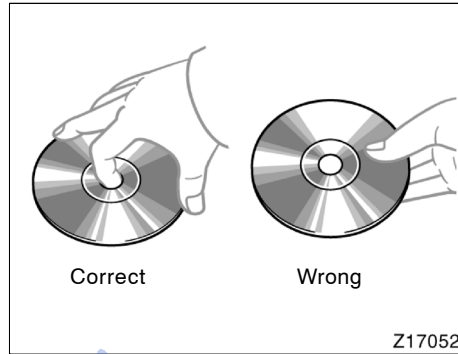
Transparent/translucent discs



Low quality discs

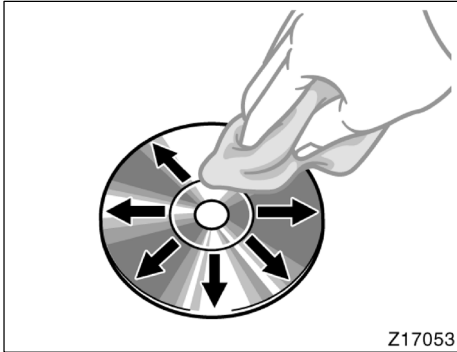


Labeled discs

**NOTICE**

- ◆ *Do not use special shaped, transparent/translucent, low quality or labeled discs such as those shown in the illustrations. The use of such discs may damage the player or changer, or it may be impossible to eject the disc.*
- ◆ *This system is not designed for use of Dual Disc. Do not use Dual Disc because it may cause damage to the player or changer.*

- Handle compact discs carefully, especially when you set them into the magazine. Hold them on the edge and do not bend them. Avoid getting fingerprints on them, particularly on the shiny side.
- Dirt, scratches, warping, pin holes, or other disc damage could cause the player to skip or to repeat a section of a track. (To see a pin hole, hold the disc up to the light.)
- Remove discs from the compact disc player when you are not listening to them. Store them in their plastic cases away from moisture, heat, and direct sunlight.



Z17053

To clean a compact disc: Wipe it with a soft, lint-free cloth that has been dampened with water. Wipe in a straight line from the center to the edge of the disc (not in circles). Dry it with another soft, lint-free cloth. Do not use a conventional record cleaner or anti-static device.

MP3/WMA FILES

- MP3 (MPEG Audio Layer 3) and WMA (Windows Media Audio) are audio compression standards.
- The MP3/WMA player can play MP3 and WMA files on CD-ROM, CD-R and CD-RW discs.

The unit can play disc recordings compatible with ISO 9660 level 1 and level 2 and with the Romeo and Joliet file system.
- When naming an MP3 or WMA file, add the appropriate file extension (.mp3 or .wma).
- The MP3/WMA player plays back files with .mp3 or .wma file extensions as MP3 or WMA files. To prevent noise and playback errors, use the appropriate file extensions.
- Multi-session compatible CDs can also be played.
- MP3 files are compatible with the ID3 Tag Ver.1.0, Ver.1.1, Ver.2.2, and Ver.2.3 formats. The unit cannot display disc title, track title and artist name in other formats.
- WMA files can contain a WMA tag that is used in the same way as an ID3 tag. WMA tags carry information such as track title, artist name.
- The emphasis function is available only when playing MP3/WMA files recorded at 32, 44.1 and 48 kHz. (The system can play MP3 files with sampling frequencies of 16, 22.05, and 24 kHz. However, the emphasis function is not available for files recorded at these frequencies.)

- The sound quality of MP3/WMA files generally improves with higher bit rates. In order to achieve a reasonable level of sound quality, discs recorded with a bit rate of at least 128 kbps are recommended.

Playable bit rates

MP3 files:

MPEG1 LAYER3—64 to 320 kbps

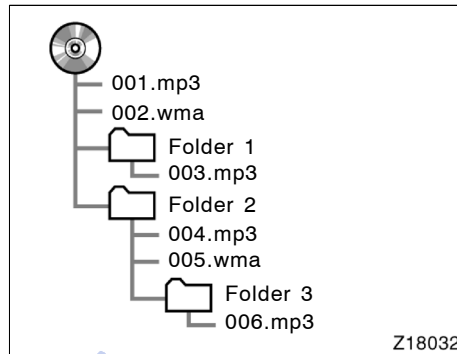
MPEG2 LSF LAYER3—64 to 160 kbps

WMA files:

Ver.7, 8 CBR—48 to 192 kbps

Ver.9 CBR—48 to 320 kbps

- The MP3/WMA player does not play back MP3/WMA files from discs recorder using packet write data transfer (UDF format). Discs should be recorded using “pre-mastering” software rather than packet-write software.
- M3u playlists are not compatible with the audio player.
- MP3i (MP3 interactive) and MP3PRO formats are not compatible with the audio player.
- The MP3 player is compatible with VBR (Variable Bit Rate).
- When playing back files recorded as VBR (Variable Bit Rate) files, the play time will not be correctly displayed if fast-forward or reverse operations are used.
- It is not possible to check folders that do not include MP3/WMA files.
- MP3/WMA files in folders up to 8 levels deep can be played. However, the start of playback may be delayed when using discs containing numerous levels of folders. For this reason, we recommend creating discs with no more than two levels of folders.
- It is possible to play up to 192 folders or 255 files on one disc.



- The play order of the compact disc with the structure shown on the left is as follows:



- The order changes depending on the PC and MP3/WMA encoding software you use.

CD-R and CD-RW discs

- CD-R/CD-RW discs that have not been subject to the “finalizing process” (a process that allows discs to be played on a conventional CD player) cannot be played.
- It may not be possible to play CD-R/CD-RW discs recorded on a music CD recorder or a personal computer because of disc characteristics, scratches or dirt on the disc, or dirt, condensation, etc. on the lens of the unit.
- It may not be possible to play discs recorded on a personal computer depending on the application settings and the environment. Record with the correct format. (For details, contact the appropriate application manufacturers of the applications.)
- CD-R/CD-RW discs may be damaged by direct exposure to sunlight, high temperatures or other storage conditions. The unit may be unable to play some damaged discs.
- Titles and other text information recorded on CD-R/CD-RW disc may not be displayed by the MP3/WMA player (in the case of audio data [CD-DA]).
- The MP3/WMA player conforms to the track skip function of the CD-R/CD-RW disc.
- If you insert a CD-RW disc into the MP3/WMA player, playback will begin more slowly than with a conventional CD or CD-R disc.
- Read the precautions accompanying the CD-R/CD-RW discs before use.
- Recordings on CD-R/CD-RW cannot be played using the DDCD (Double Density CD) system.

TERMS**Packet write—**

This is a general term that describes the process of writing data on-demand to CD-R, etc., in the same way that data is written to floppy or hard discs.

Bit rate—

Bit rate refers to data volume per second, or bps units (bits per second). The higher the rate, the more information is available to reproduce the sound. The higher the rate, the better the sound.

Multi-session—

Multi-session is a recording method that allows additional data to be recorded later. When recording data on a CD-ROM, CD-R or CD-RW, etc., all data from beginning to end is treated as a single unit or session. Multi-session is a method of recording more than 2 sessions on one disc.

CD-DA—

CD-DA is an abbreviation for Compact Disc Digital Audio. It refers to the uncompressed format of regular CDs.

ID3 Tag—

This is a method of embedding track-related information in an MP3 file. This embedded information can include the track title, the artist's name, the album title, the music genre, the year of production, comments and other data. The contents can be freely edited using software with ID3 tag editing functions. Although the tags are restricted to the number of characters, the information can be viewed when the track is played back.

WMA Tag—

WMA files can contain a WMA tag that is used in the same way as an ID3 tag. WMA tags carry information such as track title, artist name.

ISO 9660 format—

This is the international standard for the formatting of CD-ROM folders and files. For the ISO 9660 format, there are two levels of regulations.

Level 1:

The file name is in 8.3 format (8 character file names, with a 3 character file extension. File names must be composed of one-byte capital letters and numbers. The “_” symbol may also be included.)

Level 2:

The file name can have up to 31 characters (including the separation mark “.” and file extension). Each folder must contain fewer than 8 hierarchies.

Extended formats

Joliet:

File names can include up to 64 characters.

Romeo:

File names can include up to 128 characters.

m3u—

Playlists created using “WINAMP” software have a playlist file extension (.m3u).

MP3—

MP3 is an audio compression standard determined by a working group (MPEG) of the ISO (International Standard Organization). MP3 compresses audio data to about 1/10 the size of that on conventional discs.

WMA—

WMA (Windows Media Audio) is an audio compression format developed by Microsoft. It compresses files into a size smaller than that of MP3 files. The decoding formats for WMA files are Ver.7, 8, and 9.

**Hands-free phone system—
—Reference****Phone Setup (see page 320)**

- **Pair phone**

To use the hands-free system, you need to register your phone in the system.

- **Change name**

The registered phone names can be changed.

- **Delete**

The registered phone can be deleted.

- **List phone**

The registered phone names can be checked.

- **Select phone**

The registered phones can be selected.

- **Set passkey**

The passkey can be changed.

Security (see page 323)

- **Set PIN**

The PIN can be set or changed.

- **Phone book lock**

The phone book can be locked.

- **Phone book unlock**

The locked phone book can be unlocked.

System Setup (see page 325)

- **Adjust Guidance Volume**

Guidance volume can be adjusted.

- **Initialize**

Phone Book (see page 325)

- **Add Entry**

Phone numbers and voice tags can be registered.

- **Change Name**

The registered names can be changed.

- **Delete Entry**

The registered names can be deleted.

—Some basics**• Delete Speed Dial**

The registered speed dial can be deleted.

• List names

The registered names can be checked.

• Set Speed Dial

Speed dials can be set

Redial (see page 329)

Callback (see page 330)

Making a phone call (see page 331)

Receiving a phone call (see page 331)

Talking on the phone (see page 332)



X18140

This system supports Bluetooth®, a wireless system that allows you to make or receive calls without taking your hands from the steering wheel and without using cables to connect the phone and system.

The phone must be paired to the system before using the hands-free feature. If your cellular phone does not support Bluetooth®, this system will not function.

**CAUTION**

While you are driving, do not use a cellular phone or connect the Bluetooth® phone.

NOTICE

Do not leave your cellular phone in the car. The temperature indoor may be high and damage the phone.

The system may not function in the following conditions and places:

- The cellular phone is turned off.
- The current position is outside the communication area.
- The cellular phone is not connected.
- The cellular phone has a low battery.
- The cellular phone is hiding behind the seat or in the glove box and console box.
- The cellular phone touches or is covered with metal materials.

This system supports the following service.

- HFP (Hands Free Profile) Ver.1.0
- OPP (Object Push Profile) Ver.1.1

If your cellular phone does not support HFP, you cannot enter the Bluetooth® phone, and take OPP service individually.



Bluetooth is a registered trademark of Bluetooth SIG. Inc.

FarmaSOS.com

When transferring ownership of the vehicle:

A lot of personal data is registered when you use the hands-free system. When transferring ownership of the vehicle, initialize the system.

If you initialize it, the former state will never come back again. Pay much attention when initializing the data.

You can initialize the following data in the system.

- Phone book data
- Dialed numbers and received calls
- Speed dial
- Bluetooth® phone data
- Security code

امداد خودرو فارما
تلفن شبانه روزی: ۰۲۱-۸۸۸۶۲۰۸۵

FarmaSOS.com

Matsushita Electric Industrial Co., Ltd.
Panasonic Automotive Systems Company
Product Development Center
600 Saedo-cho, Tsuzuki-ku, Yokohama City 224-8539, Japan

DECLARATION of CONFORMITY

We, **Matsushita Electric Industrial Co., Ltd. Panasonic Automotive Systems Company** of the above address, hereby declare, at our sole responsibility that the following product conforms to the Essential Requirements of the Radio and Telecommunications Terminal Equipment Directive 1999/5/EC in accordance with the tests conducted to the appropriate requirements of the relevant standards, as listed herewith.

Product: Bluetooth module

Model/ Type Number: CSZZZ0000035 / CSZZZ0000037

*Model No: CSZZZ0000035(referred to as the EUT in this report) is the Bluetooth Module. CSZZZ0000035 has a variant model, CSZZZ0000037. CSZZZ0000035 has the function of audio guidance and voice-recognition in English. CSZZZ0000037 does not have the function, but the radio and electric parts of the both models are identical.


Directive and Standards used: Radio: EN300 328 V1.7.1: 2006-10

EMC: EN301 489-1 V1.6.1: 2005-09
EN301 489-17 V1.2.1: 2002-08

LVD: IEC60950-1: 2001, First Edition and
EN60950-1: 2001 + A11: 2004, First Edition
IEC 60065_2001 + Amd.1: 2005 / EN 60065_2002 +
Amd.1:2006

Year of affixing CE marking: 2007

Signature

: 

Name

: Takahisa Sakai

Position

: Senior Engineer

Date

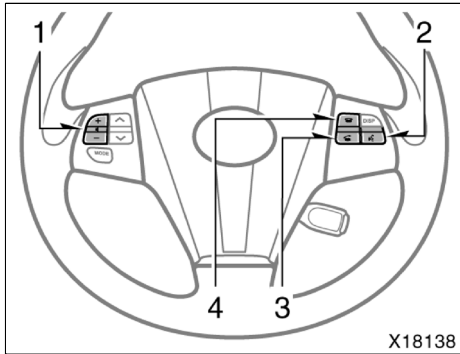
: July 4, 2007



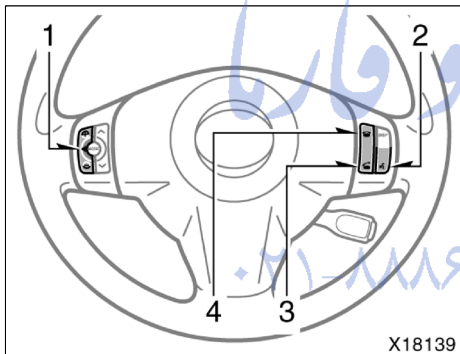
Matsushita Electric Industrial Co., Ltd. tímto prohlašuje, že tento C5ZZZ0000037 je ve shodě se základními požadavky a dalšími příslušnými ustanoveními směrnice 1999/5/ES.
Undertegnede Matsushita Electric Industrial Co., Ltd. erklærer herved, at følgende udstyr C5ZZZ0000037 overholder de væsentlige krav og øvrige relevante krav i direktiv 1999/5/EF.
Hiermit erkläre Matsushita Electric Industrial Co., Ltd., dass sich das Gerät C5ZZZ0000037 in Übereinstimmung mit den grundlegenden Anforderungen und den übrigen einschlägigen Bestimmungen der Richtlinie 1999/5/EG befindet.
Käesolevaga kinnitab Matsushita Electric Industrial Co., Ltd. seadme C5ZZZ0000037 vastavust direktiivi 1999/5/EÜ põhinõuetele ja nimetatud direktiivist tulenevatele teistele asjakohastele sätetele.
Hereby, Matsushita Electric Industrial Co., Ltd., declares that this C5ZZZ0000037 is in compliance with the essential requirements and other relevant provisions of Directive 1999/5/EC.
Por medio de la presente Matsushita Electric Industrial Co., Ltd declara que el C5ZZZ0000037 cumple con los requisitos esenciales y cualesquiera otras disposiciones aplicables o exigibles de la Directiva 1999/5/CE.
ΜΕ ΤΗΝ ΠΑΡΟΥΣΑ Matsushita Electric Industrial Co., Ltd. ΔΗΛΩΝΕΙ ΟΤΙ C5ZZZ0000037 ΣΥΜΜΟΡΦΩΝΕΤΑΙ ΠΡΟΣ ΤΙΣ ΟΥΣΙΩΔΕΙΣ ΑΠΑΙΤΗΣΕΙΣ ΚΑΙ ΤΙΣ ΛΟΙΠΕΣ ΣΧΕΤΙΚΕΣ ΔΙΑΤΑΞΕΙΣ ΤΗΣ ΟΔΗΓΙΑΣ 1999/5/ΕΚ.
Par la présente Matsushita Electric Industrial Co., Ltd. déclare que l'appareil C5ZZZ0000037 est conforme aux exigences essentielles et aux autres dispositions pertinentes de la directive 1999/5/CE.
Con la presente Matsushita Electric Industrial Co., Ltd. dichiara che questo C5ZZZ0000037 è conforme ai requisiti essenziali ed alle altre disposizioni pertinenti stabilite dalla direttiva 1999/5/CE.
Ar šo Matsushita Electric Industrial Co., Ltd. deklarē, ka C5ZZZ0000037 atbilst Direktīvas 1999/5/EK būtiskajām prasībām un citiem ar to saistītajiem noteikumiem.
Šiuo Matsushita Electric Industrial Co., Ltd. deklaruoją, kad šis C5ZZZ0000037 atitinka esminius reikalavimus ir kitas 1999/5/EB Direktyvos nuostatas.
Hierbij verklaart Matsushita Electric Industrial Co., Ltd. dat het toestel C5ZZZ0000037 in overeenstemming is met de essentiële eisen en de andere relevante bepalingen van richtlijn 1999/5/EG.
Hawnhekk, Matsushita Electric Industrial Co., Ltd., jiddkjara li dan C5ZZZ0000037 jikkonforma mal-htigijiet essenzjali u ma provvedimenti oħrajn rilevanti li hemm fid-Direttiva 1999/5/EC.
Alulirott, Matsushita Electric Industrial Co., Ltd. nyilatkozom, hogy a C5ZZZ0000037 megfelel a vonatkozó alapvető követelményeknek és az 1999/5/EC irányelv egyéb előírásainak.
Niniejszym Matsushita Electric Industrial Co., Ltd. oświadcza, że C5ZZZ0000037 jest zgodny z zasadniczymi wymogami oraz pozostałymi stosownymi postanowieniami Dyrektywy 1999/5/EC.
Matsushita Electric Industrial Co., Ltd. declara que este C5ZZZ0000037 está conforme com os requisitos essenciais e outras disposições da Directiva 1999/5/CE.
Matsushita Electric Industrial Co., Ltd. izjavlja, da je ta C5ZZZ0000037 v skladu z bistvenimi zahtevami in ostalimi relevantnimi določili direktive 1999/5/ES.
Matsushita Electric Industrial Co., Ltd. tímto vyhlasuje, že C5ZZZ0000037 splňa základné požiadavky a všetky príslušné ustanovenia Smernice 1999/5/ES.
Matsushita Electric Industrial Co., Ltd. vakuuttaa täten että C5ZZZ0000037 tyypinen laite on direktiivin 1999/5/EY oleellisten vaatimusten ja sitä koskevien direktiivin muiden ehtojen mukainen.
Härmed intygar Matsushita Electric Industrial Co., Ltd. att denna C5ZZZ0000037 står i överensstämmelse med de väsentliga egenskapskrav och övriga relevanta bestämmelser som framgår av direktiv 1999/5/EG.
Hér með lýsir Matsushita Electric Industrial Co., Ltd. yfir því að C5ZZZ0000037 er í samsvar við grunnkröfur og aðrar kröfur, sem gerðar eru í tilskipun 1999/5/EC.
Matsushita Electric Industrial Co., Ltd. erklærer herved at udstyret C5ZZZ0000037 er i samsvar med de grundlæggende krav og øvrige relevante krav i direktiv 1999/5/EF.

—Control and features

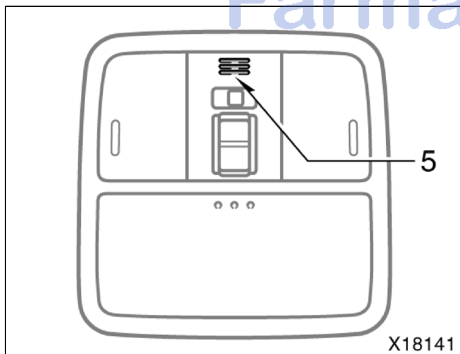
►Steering switches and microphone



Steering switches (Type A)



Steering switches (Type B)



Microphone

1. Volume control switch

To increase the volume: Push “+”.
To decrease the volume: Push “-”.

The volume continues increasing or decreasing while the switch is being pushed.

When driving at 80 km/h (50 mph) or more, the volume automatically increases without switch adjustment. When your speed falls below 70 km/h (43 mph), the volume automatically returns to its original level.

2. Talk switch

Pushing the talk switch turns the hands-free system on and initiates the speech command system.

Pushing and holding the talk switch ends the speech command system.

3. Off-hook switch

Pushing the off-hook switch turns the hands-free system on.

When receiving a call, pushing the off-hook switch allows you to talk on the phone.

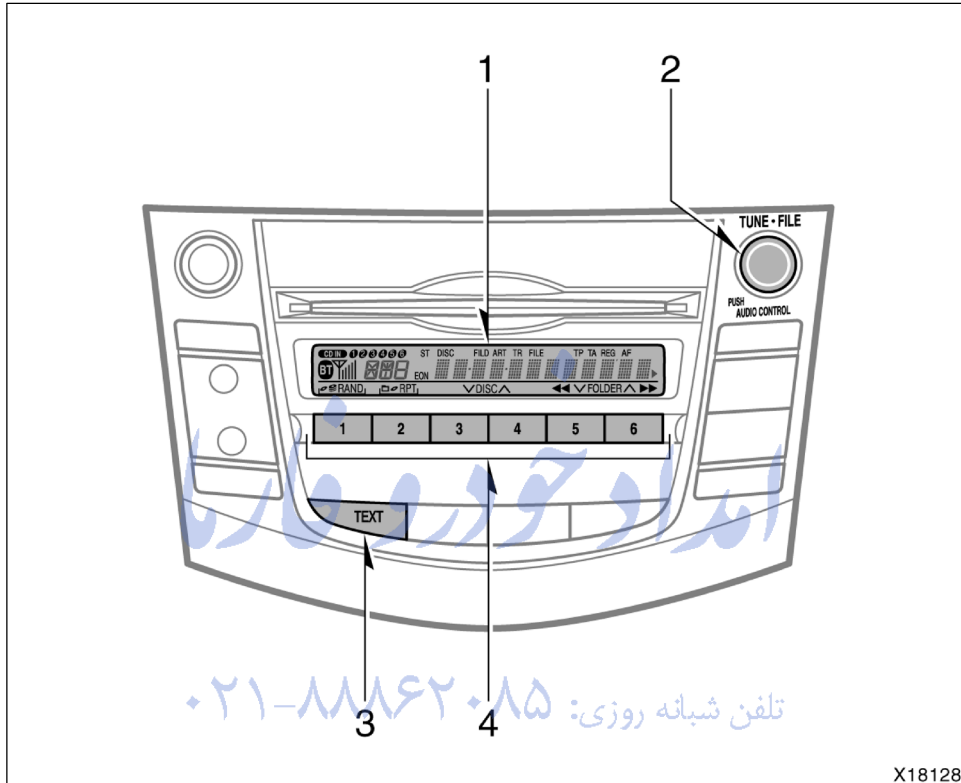
4. On-hook switch

When the hands-free system is on, pushing the on-hook switch turns the hands-free system off.

5. Microphone

The microphone is used when talking on the phone or using the speech command system.

►Audio unit

**1. Display**

Displays such items as the reception level, a party's name and phone number. See "DISPLAY" described on the following page for further details about the display.

2. "AUDIO/CONTROL" knob

Turning the "AUDIO/CONTROL" knob displays the menu items, names, numbers, etc. to be selected. To select an item, push the "AUDIO/CONTROL" knob. Due to safety concerns, the "AUDIO/CONTROL" knob does not function while the vehicle is in motion.

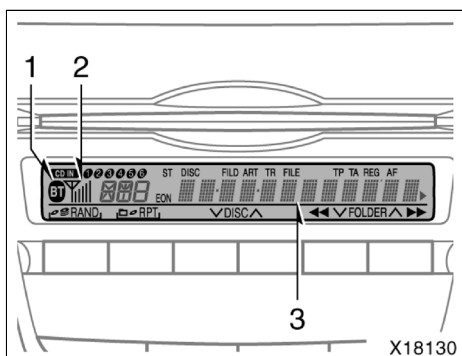
3. "TEXT" button

When the party's name or phone number is too long to be displayed, pushing and holding the "TEXT" button displays the remaining characters.

4. Preset buttons

Pushing the preset button displays the registered speed dial numbers.

X18128t



DISPLAY

1. Bluetooth® display

Displays when a Bluetooth® connection is made. If there is no display, the Bluetooth® connection has not been made and communication between the phone and system is not possible. When using the hands-free system, make sure that "BT" is displayed. The display is updated in real time.

2. Reception level display

Displays the reception level of the cellular phone signals. This may not match the display on the cellular phone. The reception level of some cellular phones may not be displayed.

The number of bars is greater when the signal received is stronger.

3. Message display

Displays phone numbers, names, comments, menu items, etc.

—Phone Setup

The phone setup menu includes the following:

- Pair Phone

To use the hands-free system, you need to register your phone in the system. Once you have registered it, you can make a hands-free call. Up to 6 phones can be registered.

- Select Phone

When the system connects to Bluetooth®, the phone previously used is automatically selected. Select a different phone if necessary. Only the selected phone can be used with the hands-free system.

- Change Name

The registered phone names can be changed.

- List Phones

The registered phone names can be checked.

The following can be performed during the name playback:

- Select phone

- Change name

- Delete

- Set Passkey

The passkey can be changed. A 4 to 8 digit code can be input as a passkey.

- Delete

The registered phones can be deleted.

To enter the phone setup menu

1. Push the off-hook switch to turn the hands-free system on.
2. Turn the "AUDIO/CONTROL" knob until "Setup" is displayed and push the knob.
3. Turn the "AUDIO/CONTROL" knob until "Phone Setup" is displayed and push the knob.

"XXX (phone name)" is displayed.

If no phone has been registered, "No Phone" is displayed.

To pair phones

1. Turn the "AUDIO/CONTROL" knob until "Pair Phone" is displayed and push the knob.
2. Turn the "AUDIO/CONTROL" knob until "Record Name" is displayed, push the knob and say "XXX (desired phone name)".
3. Turn the "AUDIO/CONTROL" knob until "Confirm" is displayed and push the knob.

After "HANDS FREE" is displayed, a passkey* is displayed.

4. Input the passkey displayed on the screen into the phone.

"Paired" is displayed.

The system may not function in the following cases:

- If 6 phones have already been registered.
- If the vehicle is moving.
- If the system cannot communicate with the phone.

*: Passkey is a password required to register a phone to the system.

INFORMATION

- ◆ *To use the hands-free system, you need to register your phone in the system. Once you have registered it, you can make a hands-free call. Up to 6 phones can be registered.*
- ◆ *For the operation of the phone, see the manual that comes with your cellular phone.*
- ◆ *The passkey can be changed. See page 322 for changing the passkey.*

To select a phone

Turn the "AUDIO/CONTROL" knob until "Select Phone" is displayed and push the knob.

When the phone is selected by a voice command:

Push the talk switch and say the phone name.

"XXX" is displayed.

Turn the "AUDIO/CONTROL" knob until "Confirm" is displayed and push the knob.

When the phone is selected by using the knob:

Turn the "AUDIO/CONTROL" knob until the desired phone name is displayed and push the knob.

"XXX" selected.

The system may not function in the following cases:

- If the phone is not found.
- If the system does not recognize the voice command.

To change a name

Turn the "AUDIO/CONTROL" knob until "Change Name" is displayed and push the knob.

When the phone is selected by a voice command:

Push the talk switch and say the phone name.

"XXX" is displayed.

1. Turn the "AUDIO/CONTROL" knob until "Confirm" is displayed and push the knob.
2. Turn the "AUDIO/CONTROL" knob until "Record Name" is displayed, push the knob and say "XXX (desired phone name)".
3. Turn the "AUDIO/CONTROL" knob until "Confirm" is displayed and push the knob.

"Changed" is displayed.

When the phone is selected by using the knob:

Turn the "AUDIO/CONTROL" knob until the phone name that you want to change is displayed and push the knob.

"XXX" is displayed.

1. Turn the "AUDIO/CONTROL" knob until "Confirm" is displayed and push the knob.
2. Turn the "AUDIO/CONTROL" knob until "Record Name" is displayed, push the knob and say "XXX (desired phone name)".
3. Turn the "AUDIO/CONTROL" knob until "Confirm" is displayed and push the knob.

"Changed" is displayed.

The system may not function in the following cases:

- If no phone has been registered.
- If the system does not recognize the voice command.

To list phones

Turn the "AUDIO/CONTROL" knob until "List Phones" is displayed and push the knob.

To select a name, push the talk switch during the name playback.

Select one of the following:

Select phone

Turn the "AUDIO/CONTROL" knob until "Select Phone" is displayed and push the knob.

For further details on selecting a phone, see page 321.

Change name

Turn the "AUDIO/CONTROL" knob until "Change Name" is displayed and push the knob.

For further details on changing a name, see page 321.

Delete

Turn the "AUDIO/CONTROL" knob until "Delete" is displayed and push the knob.

For further details on deleting a phone, see page 322.

If no phone has been registered, the system may not function properly.

To set a passkey

1. Turn the "AUDIO/CONTROL" knob until "Set Passkey" is displayed and push the knob.

Passkey is displayed.

2. Turn the "AUDIO/CONTROL" knob to select a number.

When using the knob:

1. Turn the "AUDIO/CONTROL" knob to select a number. Push the "AUDIO/CONTROL" knob to set.
2. When the passkey is set, push the "AUDIO/CONTROL" knob.

The system may not function in the following cases:

- If the passkey has less than 4 digits.
- If the passkey has more than 8 digits.

To delete a phone

Turn the "AUDIO/CONTROL" knob until "Delete" is displayed and push the knob.

When using a voice command:

Push the talk switch and say the phone name.

"XXX" is displayed.

Turn the "AUDIO/CONTROL" knob until "Confirm" is displayed and push the knob.

"Deleted" is displayed.

When using the knob:

Turn the "AUDIO/CONTROL" knob until the phone name you want to delete is displayed and push the knob.

"Deleted. Returning to the phone setup." is heard and "Deleted" is displayed.

The system may not function in the following cases:

- If no phone has been registered.
- If the system does not recognize the voice command.

—Security

The security menu includes the following:

- **Set PIN (Personal Identification Number)**

The PIN can be set or changed.

- **Phone book lock**

The phone book can be locked.

When the phone book is locked, the following functions cannot be used:

- Dial by name and number
- Redial
- Callback
- Speed Dial
- Phone Setup
- PhoneBook
- Set PIN
- **Phone book unlock**

The locked phone book can be unlocked.

To enter the security menu

1. Push the off-hook switch to turn the hands-free system on.
2. Turn the "AUDIO/CONTROL" knob until "Setup" is displayed and push the knob.
3. Turn the "AUDIO/CONTROL" knob until "Security" is displayed and push the knob.

To set a PIN

Turn the "AUDIO/CONTROL" knob until "Set PIN" is displayed and push the knob.

When using the knob:

1. Turn the "AUDIO/CONTROL" knob to select a number. Push the "AUDIO/CONTROL" knob to set.
2. Repeat the above procedure until the entire four-digit number is set.
3. When the PIN is set, push the "AUDIO/CONTROL" knob.
4. Turn the "AUDIO/CONTROL" knob until "Confirm" is displayed and push the knob.

"Completed" is displayed.

If the PIN is to be changed:

"Current PIN?" is displayed.

Use the "AUDIO/CONTROL" knob to input the current PIN number.

"Completed" is displayed.

If the current number is not correct, the system may not function properly.

To lock the phone book

1. Turn the "AUDIO/CONTROL" knob until "Phbk Lock" is displayed and push the knob.

"PIN?" is displayed.

2. Turn the "AUDIO/CONTROL" knob to select a number.

When using the knob:

1. Turn the "AUDIO/CONTROL" knob to select a number. Push the "AUDIO/CONTROL" knob to set.
2. When the PIN number is set, push the "AUDIO/CONTROL" knob.

"XXXX" is displayed.

3. Turn the "AUDIO/CONTROL" knob until "Confirm" is displayed and push the knob.

"Locked" is displayed.

The system may not function in the following cases:

- If the current number is not correct.
- If the phone book has already been locked.
- If the PIN number does not exist.

To unlock the phone book

1. Turn the "AUDIO/CONTROL" knob until "Phbk Unlock" is displayed and push the knob.

"Current PIN?" is displayed.

2. Turn the "AUDIO/CONTROL" knob to select a number.

When using the knob:

1. Turn the "AUDIO/CONTROL" knob to select a number. Push the "AUDIO/CONTROL" knob to set.

2. When the PIN number is set, push the "AUDIO/CONTROL" knob.

"XXXX" is displayed.

3. Turn the "AUDIO/CONTROL" knob until "Confirm" is displayed and push the knob.

"Unlocked" is displayed.

The system may not function in the following cases:

- If the current number is not correct.
- If the phone book has already been unlocked.

—System Setup

The system setup menu includes the following:

- Adjust Guidance Volume
- Initialize

To enter the system setup menu

1. Push the off-hook switch to turn the hands-free system on.
2. Turn the "AUDIO/CONTROL" knob until "Setup" is displayed and push the knob.
3. Turn the "AUDIO/CONTROL" knob until "System Setup" is displayed and push the knob.

To adjust the guidance volume

1. Turn the "AUDIO/CONTROL" knob until "Guidance Vol" is displayed and push the knob.

The present volume level is displayed.

2. Turn the "AUDIO/CONTROL" knob to adjust the volume and push the knob.

To initialize

1. Turn the "AUDIO/CONTROL" knob until "Initialize" is displayed and push the knob.
2. Turn the "AUDIO/CONTROL" knob until "Confirm" is displayed and push the knob.

—Phone Book

The phone book menu includes the following:

- Add Entry

Phone numbers and voice tags can be registered.

- Change Name

The registered names can be changed.

- Delete Entry

The registered names can be deleted.

- Delete Speed Dial

The registered speed dial can be deleted.

- List Names

The registered names can be checked.

- Set Speed Dial

Speed dials can be set.

To enter the phone book menu

1. Push the off-hook switch to turn the hands-free system on.
2. Turn the "AUDIO/CONTROL" knob until "Phonebook" is displayed and push the knob.

If the phone book is locked, the system may not function properly.

To add entry

The add entry includes the following:

- (a) By Phone
- (b) Call History
- (c) Manual Input

Turn the "AUDIO/CONTROL" knob until "Add Entry" is displayed and push the knob.

(a) By Phone

1. Turn the "AUDIO/CONTROL" knob until "By Phone" is displayed and push the knob.
2. Turn the "AUDIO/CONTROL" knob until "Confirm" is displayed and push the knob.

After the system has received the name and phone number, "XXX (name)" and "XXX (number)" is displayed.

3. Turn the "AUDIO/CONTROL" knob until the dial number that you want to register is displayed and push the knob.

Next, input a voice tag.

If "Confirm" is said, then input a voice tag.

1. Push the talk switch and say the name of the dial number that you want to register.
2. Turn the "AUDIO/CONTROL" knob until "Confirm" is displayed and push the knob.

"Stored" is displayed.

3. Select one of the following:

- **Confirm**
- **Speed Dial**

Confirm

Turn the "AUDIO/CONTROL" knob until "Confirm" is displayed and push the knob.

Speed Dial

1. Turn the "AUDIO/CONTROL" knob until "Speed Dial" is displayed and push the knob.
2. Push the desired preset button.

The system may not function in the following cases:

- If the phone book is full.
- If the dial number has more than 24 digits.

(b) Call History

1. Turn the "AUDIO/CONTROL" knob until "Call history" is displayed and push the knob.

"Call History" is displayed.

2. Select one of the following:

- **Incoming**
- **Outgoing**

Incoming

1. Turn the "AUDIO/CONTROL" knob until "Incoming" is displayed and push the knob.

The incoming number is displayed.

2. Turn the "AUDIO/CONTROL" knob until the dial number that you want to register is displayed and push the knob.

Next, input a voice tag.

For further details, see page 326.

Outgoing

1. Turn the "AUDIO/CONTROL" knob until "Outgoing" is displayed and push the knob.

The outgoing number is displayed.

2. Turn the "AUDIO/CONTROL" knob until the dial number that you want to register is displayed and push the knob.

Next, input a voice tag.

For further details, see page 326.

(c) Manual Input

1. Turn the "AUDIO/CONTROL" knob until "Manual Input" is displayed and push the knob.
2. Turn the "AUDIO/CONTROL" knob to select a number. Push the "AUDIO/CONTROL" knob to set.
3. When the number is set, push the "AUDIO/CONTROL" knob.

Next, input a voice tag.

For further details, see page 326.

To list names

The voice tags can be edited during the name playback.

Turn the "AUDIO/CONTROL" knob until "List Names" is displayed and push the knob.

To select a name, push the talk switch during the name playback.

"Selected" is displayed.

If you push the off-hook switch during the name playback, you can dial the number of the selected name.

Editing the voice tags

The following can be performed:

- **Dial**
- **Change Name**
- **Delete Entry**
- **Speed Dial**

"Selected" is displayed.

Dial

Turn the "AUDIO/CONTROL" knob until "Dial" is displayed and push the knob.

Change Name

Turn the "AUDIO/CONTROL" knob until "Change Name" is displayed and push the knob.

For further details, see page 327.

Delete Entry

Turn the "AUDIO/CONTROL" knob until "Delete Entry" is displayed and push the knob.

For further details, see page 327.

Speed dial

Turn the "AUDIO/CONTROL" knob until "Speed Dial" is displayed and push the knob.

For further details, see page 328.

To delete entry

Turn the "AUDIO/CONTROL" knob until "Delete Entry" is displayed and push the knob.

When using a voice command:

Push the talk switch and say the name to delete.

"XXXX" is displayed.

Turn the "AUDIO/CONTROL" knob until "Confirm" is displayed and push knob.

"Deleted" is displayed.

When using the knob:

Turn the "AUDIO/CONTROL" knob until the name that you want to delete is displayed and push the knob.

"Deleted" is displayed.

The system may not function in the following cases:

- If no name has been registered.
- If the system does not recognize the voice command.

To delete speed dial

1. Turn the "AUDIO/CONTROL" knob until "Del Spd Dial" is displayed and push the knob.

2. Select the preset button that you want to delete.

3. Turn the "AUDIO/CONTROL" knob until "Confirm" is displayed and push the knob.

"Deleted" is displayed.

The system may not function in the following cases:

- If not speed dial has been registered.
- If the preset button has not been assigned.

To change name

Turn the "AUDIO/CONTROL" knob until "Change Name" is displayed and push the knob.

When using a voice command:

Push the talk switch and say the name to change.

“XXXX” is displayed.

1. Turn the “AUDIO/CONTROL” knob until “Confirm” is displayed and push the knob.
2. Turn the “AUDIO/CONTROL” knob until “Record Name” is displayed, push the knob and say “XXX (new name)”.
3. Turn the “AUDIO/CONTROL” knob until “Confirm” is displayed and push the knob.

“Changed” is displayed.

When using the knob:

Turn the “AUDIO/CONTROL” knob until the dial number that you want to change is displayed and push the knob.

1. Turn the “AUDIO/CONTROL” knob until “Record Name” is displayed, push the knob and say “XXX (new name)”.
2. Turn the “AUDIO/CONTROL” knob until “Confirm” is displayed and push the knob.

“Changed” is displayed.

The system may not function in the following cases:

- If no name has been registered.
- If the system does not recognize the voice command.

To set speed dial

Turn the “AUDIO/CONTROL” knob until “Speed Dial” is displayed and push the knob.

When using a voice command:

Push the talk switch and say a name.

“XXXX” is displayed.

1. Turn the “AUDIO/CONTROL” knob until “Confirm” is displayed and push the knob.
2. Push the desired preset button.

When using the knob:

1. Turn the “AUDIO/CONTROL” knob until the dial number that you want to register is displayed and push the knob.
2. Push and hold the desired preset button.

The system may not function in the following cases:

- If no name has been registered.
- If the system does not recognize the voice command.

INFORMATION

A shortcut to each of the following functions is available. Push the off-hook switch and talk switch, and say one of the following:

- ◆ *Phone book add entry*
- ◆ *Phone book change name*
- ◆ *Phone book delete entry*
- ◆ *Phone book delete speed dial*
- ◆ *Phone book list names*
- ◆ *Phone book set speed dial*

—Redial

The following can be performed:

- Dial
- Delete
- Store

To enter the redial

1. Push the off-hook switch to turn the hands-free system on.
2. Turn the "AUDIO/CONTROL" knob until "Redial" is displayed and push the knob.

Dial

Turn the "AUDIO/CONTROL" knob until the number that you want to dial is displayed and push the knob. After that, do the one of the following:

- Push the off-hook switch.
- Turn the "AUDIO/CONTROL" knob until "Dial" is displayed and push the knob.

Delete

1. Turn the "AUDIO/CONTROL" knob until the dial number that you want to delete is displayed and push the knob.
2. Turn the "AUDIO/CONTROL" knob until "Delete" is displayed and push the knob.
3. Turn the "AUDIO/CONTROL" knob until "Confirm" is displayed and push the knob.

Store

1. Turn the "AUDIO/CONTROL" knob until the dial number that you want to register is displayed and push the knob.
2. Turn the "AUDIO/CONTROL" knob until "Store" is displayed and push the knob.
3. Turn the "AUDIO/CONTROL" knob until "Confirm" is displayed and push the knob.

Next, input a voice tag.

For further details, see page 326.

The system may not function in the following cases:

- If there is no outgoing history.

- If the phone book is locked.

INFORMATION

- ◆ *Up to five outgoing calls can be stored in the system.*
- ◆ *When five outgoing calls are stored in memory, the oldest outgoing call is deleted to make room in memory for new calls.*
- ◆ *Only the latest outgoing call is stored when the same telephone number is dialed.*
- ◆ *A shortcut to "Redial" is available. Push the off-hook switch twice.*

—Callback

The following can be performed:

- Dial
- Delete
- Store

To enter the callback

1. Push the off-hook switch to turn the hands-free system on.
2. Turn the "AUDIO/CONTROL" knob until "Callback" is displayed and push the knob.

Dial

Turn the "AUDIO/CONTROL" knob until the number that you want to dial is displayed and push the knob. After that, do the one of the following:

- Push the off-hook switch.
- Turn the "AUDIO/CONTROL" knob until "Dial" is displayed and push the knob.

Delete

1. Turn the "AUDIO/CONTROL" knob until the dial number that you want to delete is displayed and push the knob.
2. Turn the "AUDIO/CONTROL" knob until "Delete" is displayed and push the knob.
3. Turn the "AUDIO/CONTROL" knob until "Confirm" is displayed and push the knob.

Store

1. Turn the "AUDIO/CONTROL" knob until the dial number that you want to register is displayed and push the knob.
2. Turn the "AUDIO/CONTROL" knob until "Store" is displayed and push the knob.
3. Turn the "AUDIO/CONTROL" knob until "Confirm" is displayed and push the knob.

Next, input a voice tag.

For further details, see page 326.

The system may not function in the following cases:

- If there is no incoming history.

- If the phone book is locked.

INFORMATION

- ◆ *Up to five incoming calls can be stored in the system.*
- ◆ *When five incoming calls are stored in memory, the oldest incoming call is deleted to make room in memory for new calls.*

—Making a phone call

If the cellular phone is not registered, this system cannot be used. See page 320 for registering a cellular phone. Make sure that “BT” is displayed and get the cellular phone ready to use.

There are 4 ways to make a phone call with this system.

- **Dialing by inputting a name**

1. Push the talk switch and say the desired name. The name or telephone number is displayed.
2. Push the off-hook switch to dial.

- **Speed dial**

A phone call can be made with a preset button in which a phone number is registered. See page 328 for setting the preset buttons.

- **Phone book**

A phone call can be made by “list names”. See page 327.

- **Redial**

- **Call back**

To make a phone call

Push the off-hook switch to turn the hands-free system on.

To speed dial

1. Push the preset button where the desired number is set. The name or telephone number is displayed.
2. Push the off-hook switch to dial.

—Receiving a phone call

When receiving a phone call, a ring tone is audible and the system changes into the telephone mode.

When receiving a phone call, the display is as follows. The display differs depending on whether or not the vehicle is in motion.

When the vehicle is stopped:

Number, name, or “Incoming” is displayed.

When the vehicle is in motion:

“Incoming” is displayed.

Do either one of the following:

- Pushing the off-hook switch allows you to talk on the phone.
- Pushing the on-hook switch refuses the call.

To adjust the ring volume, push “+” or “-” on the steering volume controls. Volume adjustment cannot be done using the audio system.

Repeatedly pushing “-” on the steering volume controls mutes the ring.

When receiving an international phone call, the name of the party may not be displayed correctly depending on the cellular phone.

To transfer a call to the phone:

The received call can be transferred from the hands-free system to the cellular phone that is connected to Bluetooth®. For details, refer to the user’s guide for the cellular phone.

—Talking on the phone

While talking on the phone, the display is as follows. The display differs depending on whether or not the vehicle is in motion.

When the vehicle is stopped:

Number is displayed.

When the vehicle is in motion:

“Talking” is displayed.

When the call is finished, push the on-hook switch.

In the following situations, your voice may not reach the party.

- Talk alternately with the other party on the phone. If you talk at the same time, the voice may not reach each other. (It is not a malfunction.)
- Keep the volume of receiving voice down. Otherwise, echo is coming up. When you talk on the phone, speak clearly towards the microphone.
- When driving on a rough road.
- When driving at high speeds.
- When the window is open.
- When the air conditioning vents face the microphone.
- When the sound of the air conditioning fan is loud.

To transfer a call from the phone:

Pushing the off-hook switch while talking on the cellular phone that is connected to Bluetooth® allows you to talk hands-free.

To transfer a call to the phone:

The call can be transferred from the hands-free system to the phone that is connected to Bluetooth®. For details, refer to the user's guide for the cellular phone.

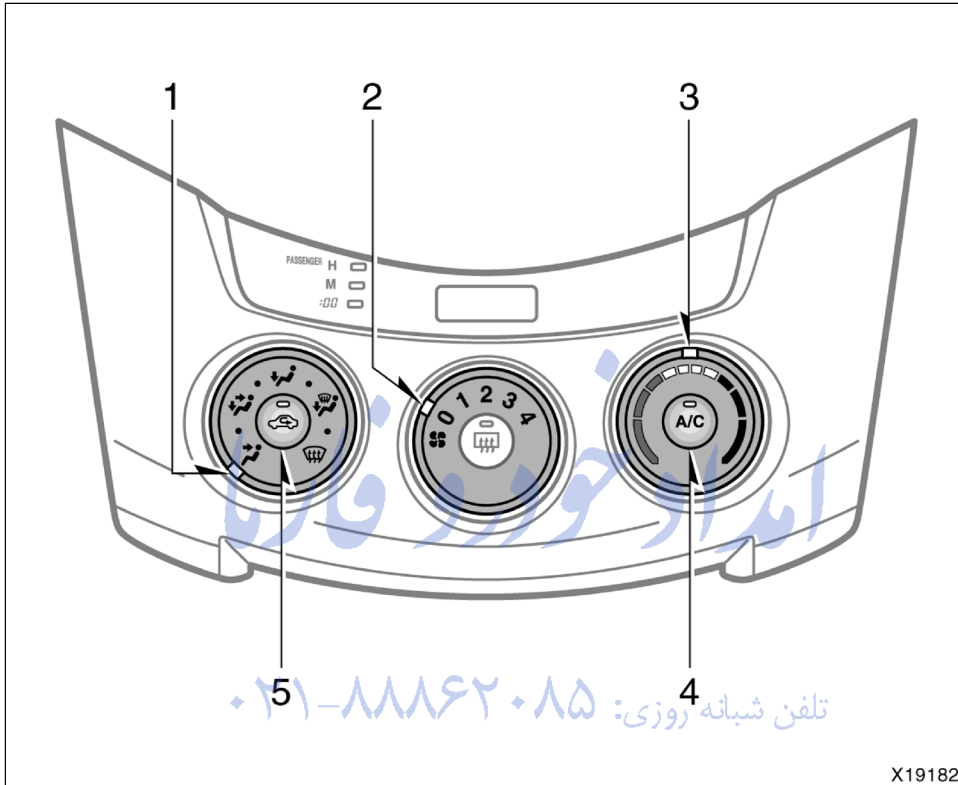
Section 1-9 OPERATION OF INSTRUMENTS AND CONTROLS

Air conditioning system

- Manual air conditioning system
 - Controls 334
 - Air flow selector settings 337
 - Operating tips 337
- Automatic air conditioning system
 - Controls 340
 - Air flow selector settings 345
 - Operating tips 345
- Instrument panel vents 348
- Power heater 349
- Air conditioning filter 351

تلفن شبانه روزی: ۰۲۱-۸۸۸۶۲۰۸۵

FarmaSOS.com

**Manual air conditioning system—
—Controls**

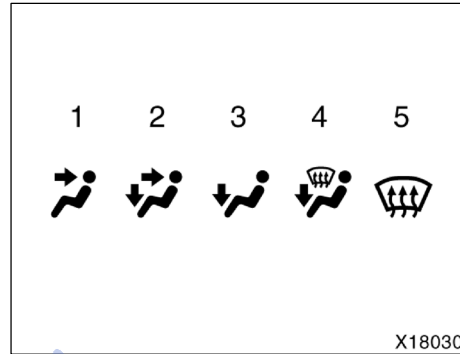
1. Air flow selector
2. Fan speed selector
3. Temperature selector
4. "A/C" button (on some models)
5. Air intake selector

Fan speed selector

Turn the dial to adjust the fan speed—to the right to increase, to the left to decrease.

Temperature selector

Turn the dial to adjust the temperature—to the right to warm, to the left to cool.

**Air flow selector**

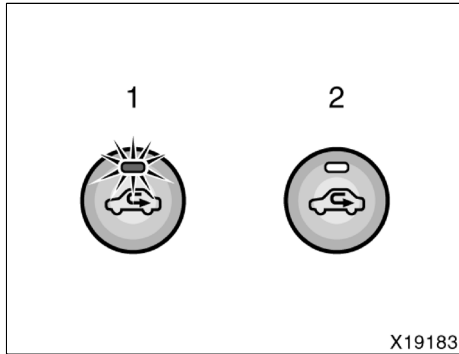
Turn the dial to select the vents used for air flow.

1. **Panel**—Air flows mainly from the instrument panel vents.
2. **Bi-level**—Air flows from both the foot vents and the instrument panel vents.
3. **Foot**—Air flows mainly from the foot vents.
4. **Foot/Windshield**—Air flows mainly from the foot vents and windshield vents.
5. **Windshield**—Air flows mainly from the windshield vents.

This position allows the air intake to select FRESH automatically. This is to clean up the front view more quickly.

If you want to return the setting to RECIRCULATE mode, press the air intake selector button once again.

For details about air flow selector settings, see “—Air flow selector settings” on page 337.

**Air intake selector**

Press the button to select the air source.

1. **RECIRCULATE** (indicator light is on)—Recirculates the air inside the vehicle.
2. **FRESH** (indicator light is off)—Draws outside air into the system.

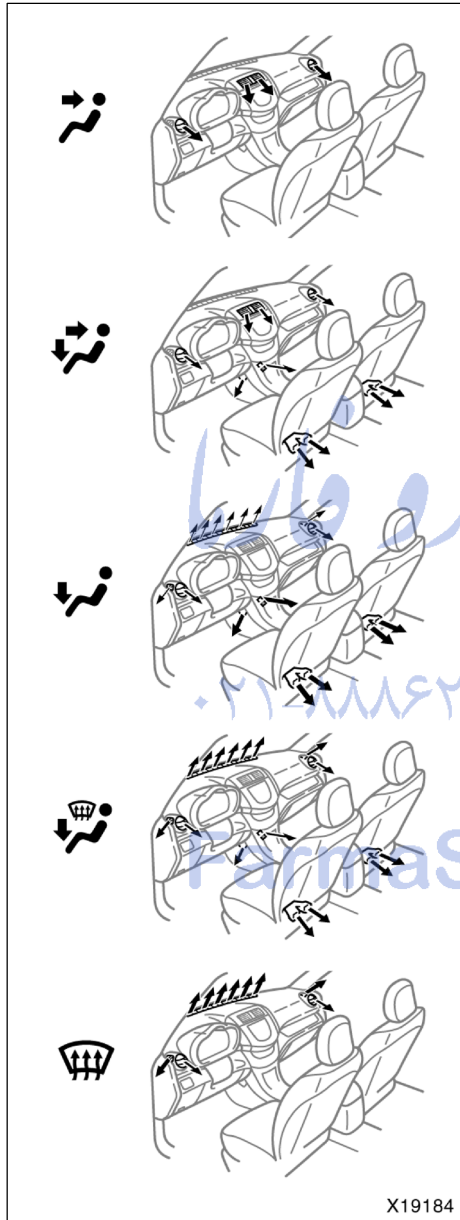
To prevent fogging up of the windshield, the air intake mode may change automatically to FRESH depending on the condition of the air conditioning system.

If you want to change to RECIRCULATE, press the air intake selector button again.

“A/C” button (on some models)

To turn on the air conditioning, press the “A/C” button. The “A/C” button indicator will come on. To turn the air conditioning off, press the button again.

—Air flow selector settings



—Operating tips

- To cool off your Toyota after it has been parked in the hot sun, drive with the windows open for a few minutes. This vents the hot air, allowing the air conditioning to cool the interior more quickly.
- Make sure the air intake grilles in front of the windshield are not blocked (by leaves or snow, for example).
- Keep the area under the front seats clear to allow air to circulate throughout the vehicle.
- On cold days, set the fan speed to high for a minute to help clear the intake ducts of snow or moisture. This can reduce the amount of fogging on the windows.
- When driving on dusty roads, close all windows. If dust thrown up by the vehicle is still drawn into the vehicle after closing the windows, it is recommended that the air intake selector be set to FRESH and the fan speed selector to any setting except "0".
- If following another vehicle on a dusty road, or driving in windy and dusty conditions, it is recommended that the air intake selector be temporarily set to RECIRCULATE, which will close off the outside passage and prevent outside air and dust from entering the vehicle interior.

 CAUTION

To prevent the windshield from fogging up, do not select the windshield air outlets during cool air operation in extremely humid weather. The difference between the temperature of the outside air and that of the windshield can cause the outer surface of the windshield to fog up, blocking your vision.

NOTICE

To prevent battery discharge, do not leave the air conditioning system on longer than necessary when the engine is stopped.

Heating

For best results, set controls to:

Fan speed—Any setting except “0”
Temperature—Towards **WARM**
 (red zone)
Air intake—**FRESH** (outside air)
Air flow—**FOOT**
Air conditioning—**OFF**

- For quick heating, select recirculated air for a few minutes. To keep the windows from fogging, select fresh after the vehicle interior has been warmed.
- Press the “A/C” button on for dehumidified heating.
- Choose foot/windshield air flow to heat the vehicle interior and to defog the windshield.

Air conditioning

For best results, set controls to:

Fan speed—Any setting except “0”
Temperature—Towards **COLD**
 (blue zone)
Air intake—**FRESH** (outside air)
Air flow—**PANEL**
Air conditioning—**ON**

- For quick cooling, select recirculated air for a few minutes.

Ventilation

For best results, set controls to:

Fan speed—Any setting except “0”
Temperature—Towards **COLD**
 (blue zone)
Air intake—**FRESH** (outside air)
Air flow—**PANEL**
Air conditioning—**OFF**

Defogging

The inside of the windshield

For best results, set controls to:

Fan speed—Any setting except “0”
Temperature—Towards **WARM**
 (red zone) to heat;
COLD (blue zone) to cool
Air intake—**FRESH** (outside air)
Air flow—**WINDSHIELD**
Air conditioning—**ON**

When turning the air flow selector to windshield position, the air intake selects FRESH automatically. This is to clean up the front view more quickly.

If you want to return the setting to RECIRCULATE mode, press the air intake selector button once again.

- On humid days, do not blow cold air on the windshield—the difference between the outside and inside temperatures could make the fogging worse.

Defrosting

The outside of the windshield

For best results, set controls to:

Fan speed —Any setting except “0”
Temperature —Towards WARM (red zone)
Air intake — FRESH (outside air)
Air flow — WINDSHIELD
Air conditioning — OFF

When turning the air flow selector to windshield position, the air intake selects FRESH automatically. This is to clean up the front view more quickly.

If you want to return the setting to RECIRCULATE mode, press the air intake selector button once again.

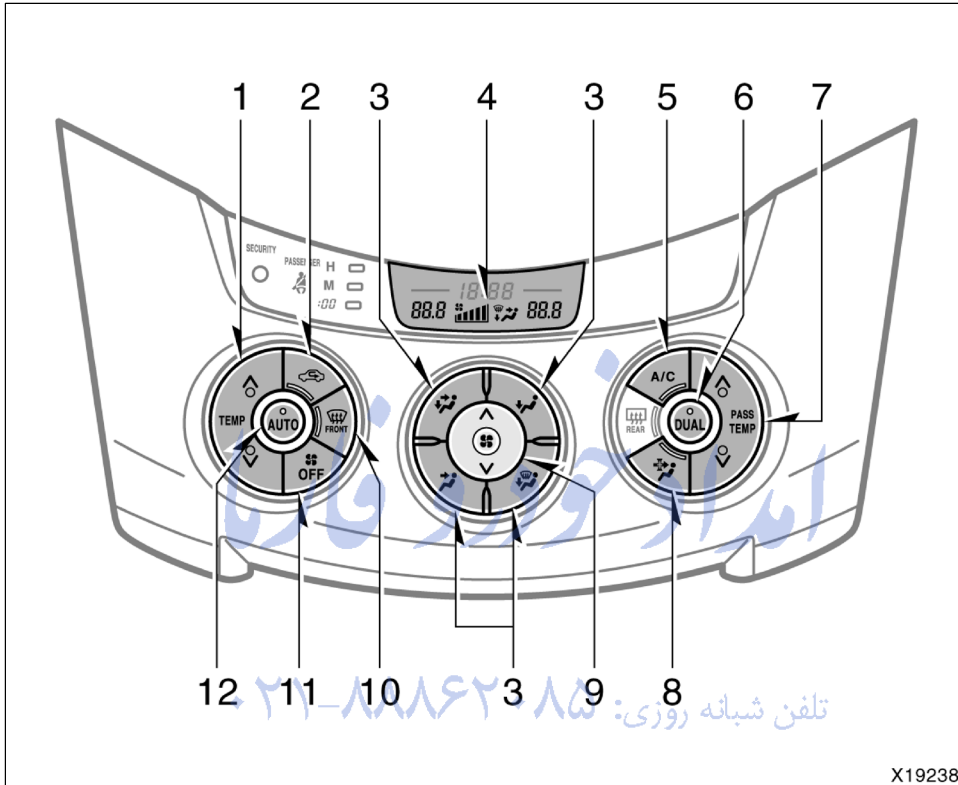
- To heat the vehicle interior while defrosting the windshield, choose foot/windshield air flow.

امداد خودرو (FARMA) | تلفن شبانه روزی: ۰۲۱-۸۸۶۲۰۸۵

FarmaSOS.com

Automatic air conditioning system— —Controls

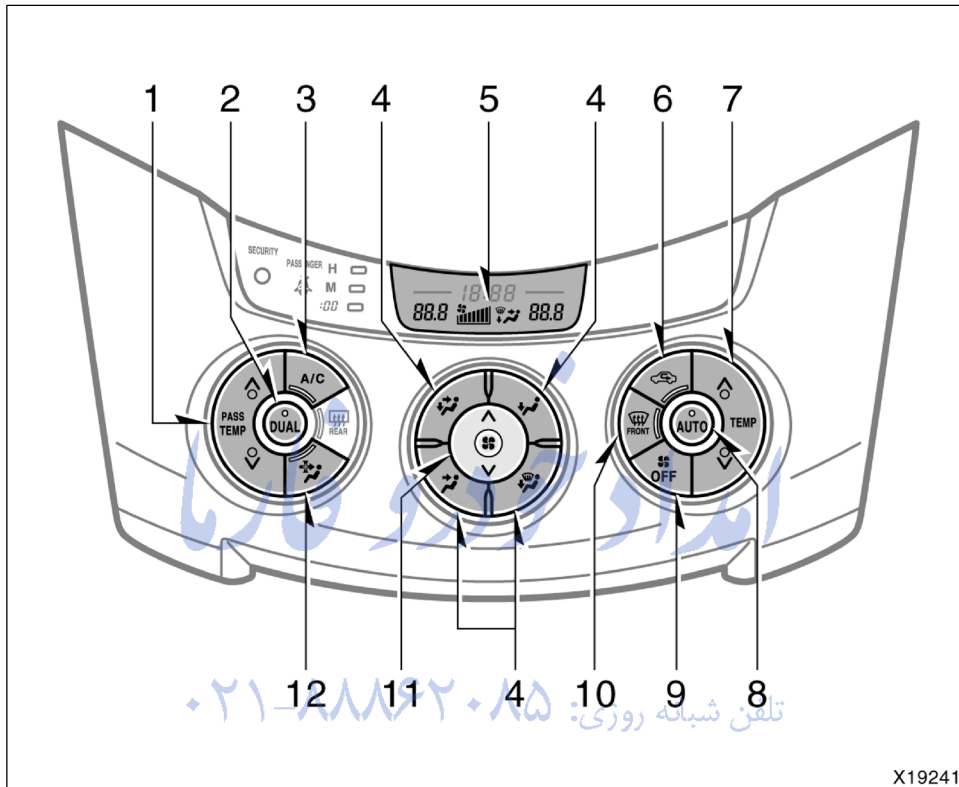
► Left-hand drive vehicles



- | | |
|--|--|
| 1. "TEMP" (driver side temperature control) button | 7. "PASS TEMP" (front passenger side temperature control) button |
| 2. Air intake selector | 8. Pollen removal mode button |
| 3. Air flow selector | 9. Fan speed selector |
| 4. Air conditioning display | 10. Windshield air flow button |
| 5. "A/C" button | 11. "OFF" button |
| 6. "DUAL" button | 12. "AUTO" button |

X19238t

► Right-hand drive vehicles



X19241t

- | | |
|--|--|
| 1. "PASS TEMP" (front passenger side temperature control) button | 7. "TEMP" (driver side temperature control) button |
| 2. "DUAL" button | 8. "AUTO" button |
| 3. "A/C" button | 9. "OFF" button |
| 4. Air flow selector | 10. Windshield air flow button |
| 5. Air conditioning display | 11. Fan speed selector |
| 6. Air intake selector | 12. Pollen removal mode button |

“AUTO” button

For automatic operation of the air conditioning, push the “AUTO” button. An indicator light will illuminate to show that the automatic operation mode has been selected.

In the automatic operation mode, the air conditioning selects the most suitable fan speed, air flow, air intake and on-off of the air conditioning according to the temperature. As a result, the following may occur.

- The system may switch automatically to recirculated mode when the coolest temperature setting is selected in summer.
- Immediately after the switch is pressed, the fan may stop for a while until warm or cool air is ready to flow.
- Cool air may flow to the area around the upper body when the heater is on.

You may use manual controls if you want to select your own settings.

Fan speed selector

Push the “^” (increase) or “v” (decrease) side of the button to adjust the fan speed.

In automatic operation, you do not have to adjust the fan speed unless you desire another fan speed mode.

“DUAL” button

Push the button to change the mode of the temperature setting.

With the indicator on—Individual temperature setting

With the indicator off—Simultaneous temperature setting

“TEMP” (driver side temperature control) button

To increase the temperature, press the “^” side. To decrease it, press the “v” side.

“LO” appears when you adjust to maximum cooling, and “HI” appears when you adjust to maximum warming.

With the “DUAL” button indicator on—This button changes the temperature on the driver side only.

With the “DUAL” button indicator off—This button changes the temperature on the driver side and front passenger side simultaneously.

This function will be cancelled when the “PASS TEMP” button is pushed.

“PASS TEMP” (front passenger side temperature control) button

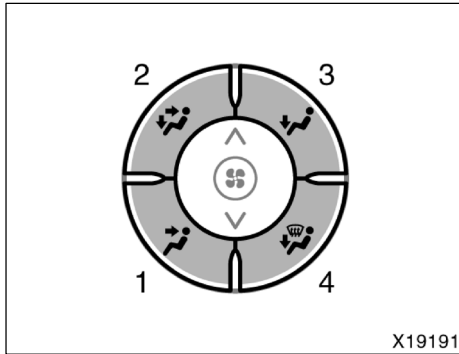
To increase the temperature, press the “^” side. To decrease it, press the “v” side.

“LO” appears when you adjust to maximum cooling, and “HI” appears when you adjust to maximum warming.

This button changes the temperature on the front passenger side only.

“OFF” button

Push the “OFF” button to turn off the air conditioning system.



X19191

Air flow selector

Push one of the buttons to select the vents used for air flow.

In automatic operation, you do not have to select the air flow unless you desire another air flow mode.

1. **Panel**—Air flows mainly from the instrument panel vents.
2. **Bi-level**—Air flows from both the foot vents and the instrument panel vents.
3. **Foot**—Air flows mainly from the foot vents.
4. **Foot/Windshield**—Air flows mainly from the foot vents and windshield vents.

For details about air flow selector settings, see “Air flow selector settings” on page 345.

Windshield air flow button

When this button is pressed, air flows mainly from the windshield vents and the FRESH mode is automatically set if the temperature is 5°C (41°F) or below. This setting clears the front view more quickly.

If you want to return the setting to RECIRCULATE mode, press the air intake selector button once again.

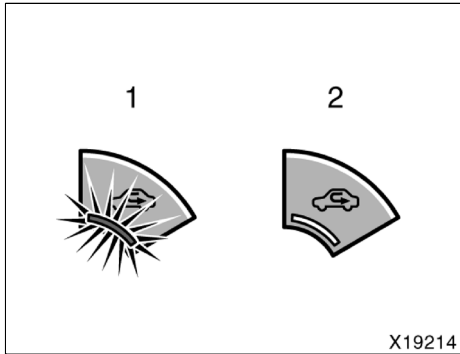
Pressing the button once again returns the air flow mode to the last one used.

Pressing the windshield button turns on the defroster-linked air conditioning. At this time, the “A/C” button indicator comes on regardless of whether or not the “A/C” button is pressed in. This is to clean up the front view more quickly.

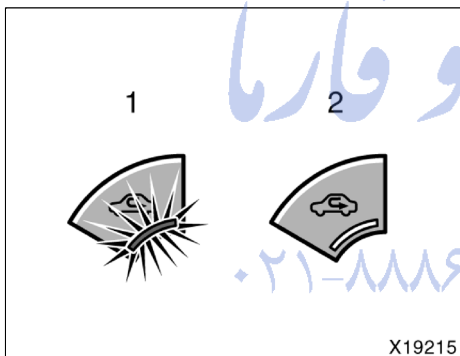
To turn off the air conditioning alone, press the “A/C” button once again.

When the “A/C” button is not pressed in, pressing another air flow button turns off the air conditioning.

For details about air flow selector settings, see “Air flow selector settings” on page 345.



Left-hand drive vehicles



Right-hand drive vehicles

Air intake selector

Press the button to select the air source.

1. **RECIRCULATE** (indicator light is on)—Recirculates the air inside the vehicle.
2. **FRESH** (indicator light is off)—Draws outside air into the system.

RECIRCULATE mode or FRESH mode may be automatically switched to in accordance with the temperature setting and the inside temperature.

If you want to change to RECIRCULATE, press the air intake selector button again.

“A/C” button

To turn on the air conditioning, press the “A/C” button. The “A/C” button indicator will come on. To turn the air conditioning off, press the button again.

Pollen removal mode button

Push the button to remove the airborne pollen from the cabin as soon as possible. An indicator will come on.

The air intake mode will switch to RECIRCULATE mode. The air will flow to the upper part of the body of the occupants and pollen will be removed. After about 3 minutes have elapsed, the operation stops, and the air conditioning system automatically returns to the settings prior to the button being pushed.

To stop the operation, do one of the following:

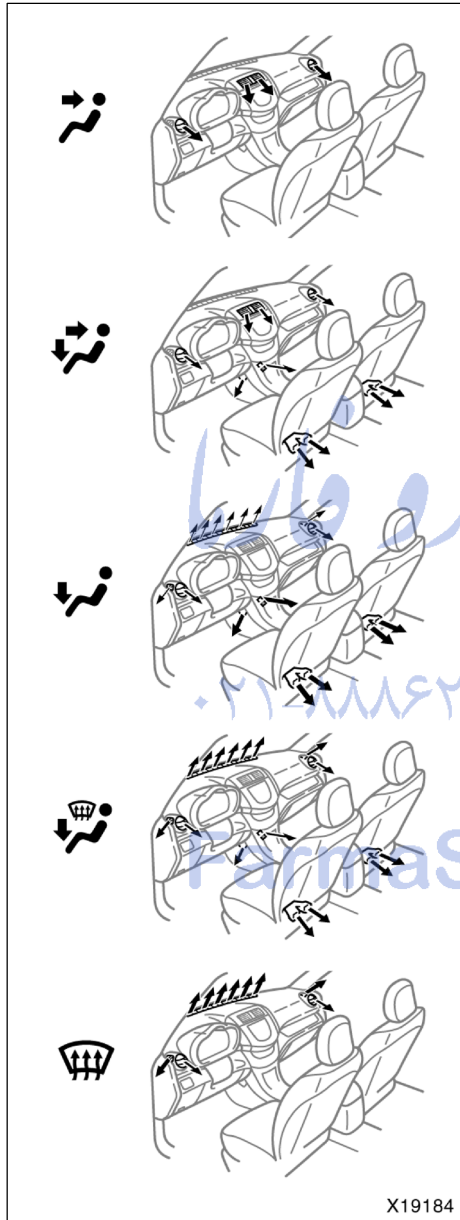
- Press the pollen removal mode button again.
- Press the “AUTO” button.
- Press one of the air flow selector buttons or the windshield air flow button.

When the ambient temperature is low, the following may occur:

- Air intake mode does not switch to RECIRCULATE.
- The air conditioning system operates automatically.
- The operation is cancelled after 1 minute.

In rainy weather, the windows may fog up. Press the windshield air flow button.

—Air flow selector settings



—Operating tips

- To cool off your Toyota after it has been parked in the hot sun, drive with the windows open for a few minutes. This vents the hot air, allowing the air conditioning to cool the interior more quickly.
- Make sure the air intake grilles in front of the windshield are not blocked (by leaves or snow, for example).
- Keep the area under the front seats clear to allow air to circulate throughout the vehicle.
- On cold days, set the fan speed to high for a minute to help clear the intake ducts of snow or moisture. This can reduce the amount of fogging on the windows.
- When driving on dusty roads, close all windows. If dust thrown up by the vehicle is still drawn into the vehicle after closing the windows, it is recommended that the air intake selector be set to FRESH and the fan speed selector to any setting except off.
- If following another vehicle on a dusty road, or driving in windy and dusty conditions, it is recommended that the air intake selector be temporarily set to RECIRCULATE, which will close off the outside passage and prevent outside air and dust from entering the vehicle interior.

 CAUTION

To prevent the windshield from fogging up, do not use the windshield air flow button during cool air operation in extremely humid weather. The difference between the temperature of the outside air and that of the windshield can cause the outer surface of the windshield to fog up, blocking your vision.

NOTICE

To prevent battery discharge, do not leave the air conditioning system on longer than necessary when the engine is stopped.

Heating

For best results, set controls to:

—For automatic operation

Press in the “AUTO” button.
Temperature—To the desired temperature
Air intake—FRESH (outside air)
Air conditioning—OFF

—For manual operation

Fan speed—To the desired fan speed
Temperature—Towards high temperature
Air intake—FRESH (outside air)
Air flow—FOOT
Air conditioning—OFF

- For quick heating, select recirculated air for a few minutes. To keep the windows from fogging, select fresh after the vehicle interior has been warmed.
- Press the “A/C” button on for dehumidified heating.
- Choose foot/windshield air flow to heat the vehicle interior and to defog the windshield.

Air conditioning

For best results, set controls to:

—For automatic operation

Press in the “AUTO” button.
Temperature—To the desired temperature
Air intake—FRESH (outside air)
Air conditioning—ON

—For manual operation

Fan speed—To the desired fan speed
Temperature—Towards low temperature
Air intake—FRESH (outside air)
Air flow—PANEL
Air conditioning—ON

- For quick cooling, select recirculated air.

Ventilation

For best results, set controls to:

—For automatic operation

Press in the “AUTO” button.
Temperature—Towards low temperature
Air intake—FRESH (outside air)
Air conditioning—OFF

—For manual operation

Fan speed—To the desired fan speed
Temperature—Towards low temperature
Air intake—FRESH (outside air)
Air flow—PANEL
Air conditioning—OFF

Defogging and defrosting**—The inside of the windshield**

For best results, set controls to:

—For automatic operation

Temperature—Towards high temperature to heat; low temperature to cool
Air intake—**FRESH** (outside air)
Air flow—**WINDSHIELD**

—For manual operation

Fan speed—To the desired fan speed
Temperature—Towards high temperature to heat; low temperature to cool
Air intake—**FRESH** (outside air)
Air flow—**WINDSHIELD**

When this button is pressed, air flows mainly from the windshield vents and the FRESH mode is automatically set if the temperature is 5°C (41°F) or below. This setting clears the front view more quickly.

If you want to return the setting to RECIRCULATE mode, press the air intake selector button once again.

Pressing the windshield air flow button turns on the defroster-linked air conditioning. At this time, the “A/C” button indicator comes on regardless of whether or not the “A/C” button is pressed in. This is to clean up the front view more quickly.

To turn off the air conditioning alone, press the “A/C” button once again.

When the “A/C” button is not pressed in, pressing another air flow button turns off the air conditioning.

- On humid days, do not blow cold air on the windshield—the difference between the outside and inside temperatures could make the fogging worse.

—The outside of the windshield

For best results, set controls to:

—For automatic operation

Temperature—Towards high temperature
Air intake—**FRESH** (outside air)
Air flow—**WINDSHIELD**

—For manual operation

Fan speed—To the desired fan speed
Temperature—Towards high temperature
Air intake—**FRESH** (outside air)
Air flow—**WINDSHIELD**

When this button is pressed, air flows mainly from the windshield vents and the FRESH mode is automatically set if the temperature is 5°C (41°F) or below. This setting clears the front view more quickly.

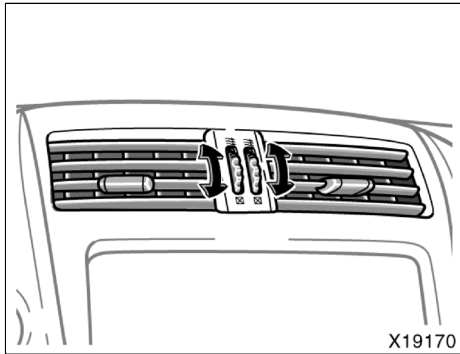
If you want to return the setting to RECIRCULATE mode, press the air intake selector button once again.

Pressing the windshield air flow button turns on the defroster-linked air conditioning. At this time, the “A/C” button indicator comes on regardless of whether or not the “A/C” button is pressed in. This is to clean up the front view more quickly.

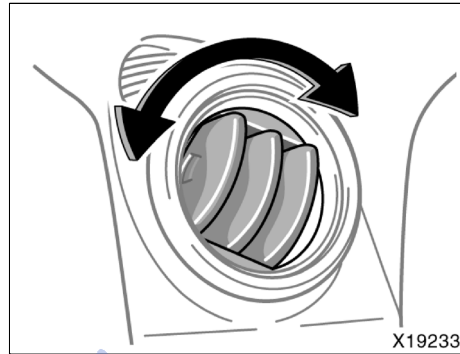
To turn off the air conditioning alone, press the “A/C” button once again.

When the “A/C” button is not pressed in, pressing another air flow button turns off the air conditioning.

- To heat the vehicle interior while defrosting the windshield, choose foot/windshield air flow.

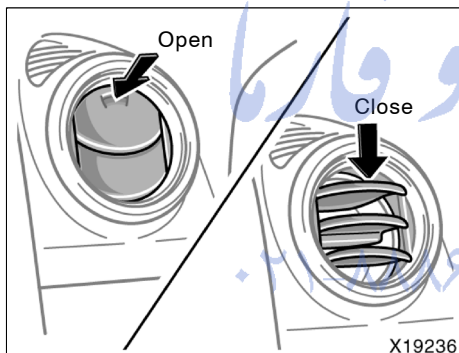
Instrument panel vents

X19170

Center vents

X19233

You can change air flow direction by turning the side vents.

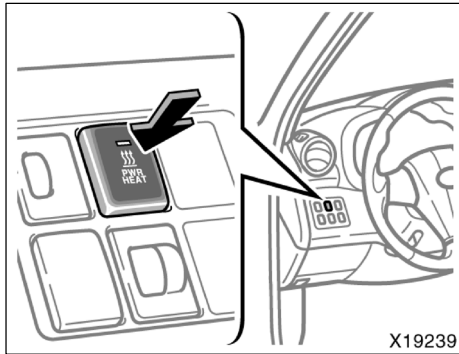


X19236

Side vents

If air flow control is not satisfactory, check the instrument panel vents. The instrument panel vents may be opened or closed as shown.

Power heater



The power heater is designed to be used to keep the cab warm in cold conditions.

To turn on the power heater, push the switch.

The engine must be running.

An indicator light will illuminate to indicate the power heater is operating.

The power heater will ignite about 25 seconds after you push the switch and it takes about another 85 seconds to warm up completely.

The system automatically controls heating level after the engine coolant warms up sufficiently.

When the power heater is turned on or off, some white smoke and a slight odor may be emitted from the exhaust located under the floor. If the power heater is being used under extremely cold conditions, vapor may be visible from the exhaust. This is normal.

To turn off the power heater, do either of the followings.

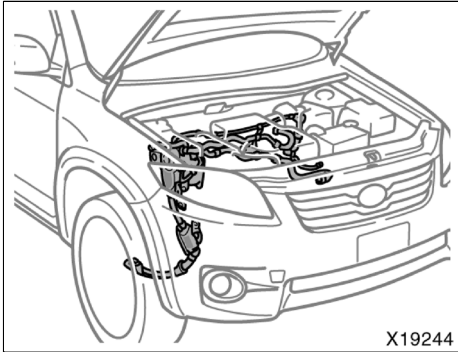
- Push the power heater switch once again.
- Stop the engine.

You may hear a sound in the engine compartment for about 2 minutes when the power heater is turned off. This means that the electric cooling fans are operating to cool the power heater components, and does not indicate a malfunction.

After about 2 minutes, the cooling fans stop operating and the power heater turns off completely.

We recommend not to restart the power heater for 10 minutes after you turn it off. Otherwise, a noise may be heard as the heater ignites.

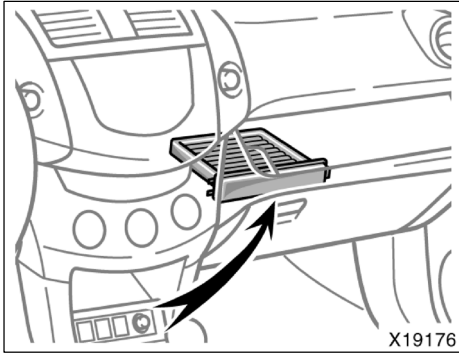
When refueling your vehicle, the engine must be turned OFF. Turning the engine OFF turns the power heater off.

**CAUTION**

- Do not touch the power heater or its exhaust pipe as they are hot. You may burn yourself.
- Keep the flammable things such as fuel away from the power heater or its exhaust pipe. This may cause a fire.

NOTICE

- ◆ Do not use improper fuels as this may cause some noise when the heater ignites, corrosion, or shorter life of the power heater. (For details, see "Fuel" on page 385 in Section 2.)
- ◆ Do not turn the power heater on and off repeatedly within 5 minute intervals as this can shorten the life of the heater components. If the engine is to be turned on and off repeatedly within short intervals (such as when being used for delivery purposes), turn the power heater switch off.
- ◆ Do not modify or open the power heater without consulting any authorized Toyota dealer or repairer, or another duly qualified and equipped professional. This may cause a fire or heater malfunction.
- ◆ Be careful not to splash water or spill liquid directly on the power heater or on the power heater fuel pump. This may cause the heater to malfunction.
- ◆ Keep the intake and exhaust pipes of the power heater free from water, snow, ice, mud, etc. If the pipes become clogged, this can cause the heater to malfunction.
- ◆ If you notice anything unusual, such as a fluid leak, smoke or poor operation, turn off the power heater and have your vehicle checked by any authorized Toyota dealer or repairer, or another duly qualified and equipped professional.

Air conditioning filter—

The air conditioning filter is behind the glove box.

The air conditioning filter prevents dust from entering the vehicle through the air conditioning vent.

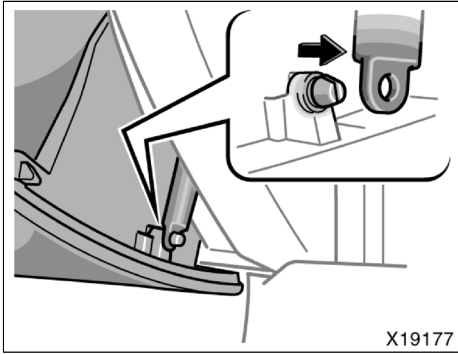
—Checking, cleaning and replacing the air conditioning filter

The air conditioning filter may clog after long use. The filter may need to be replaced if the air flow of the air conditioning and heater experiences extreme reductions in operating efficiency, or if the windows begin to fog up easily in FRESH mode.

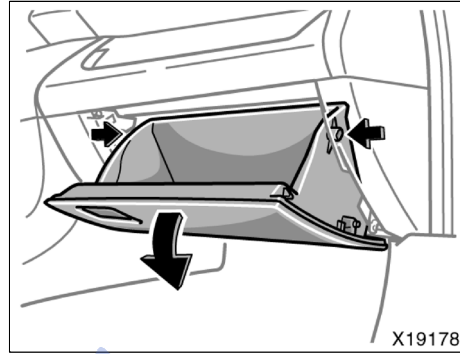
To maintain the air conditioning efficiency, inspect, clean and replace the air conditioning filter according to the maintenance schedule. (For scheduled maintenance information, please refer to the "Toyota Service Booklet" or "Toyota Warranty Booklet".)

امداد خودرو فارما
تلفن شبانه روزی: ۰۲۱-۸۸۸۶۲۰۸۵

FarmaSOS.com



1. Open the glove box. Slide off the damper as shown.

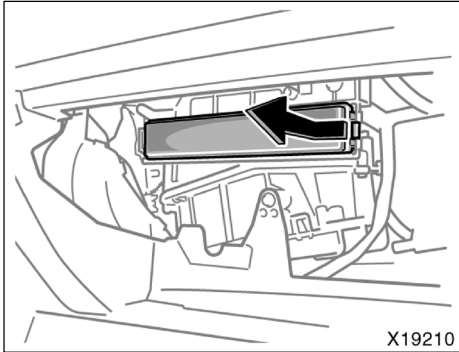


2. Push in each side of the glove box to disconnect the claws.

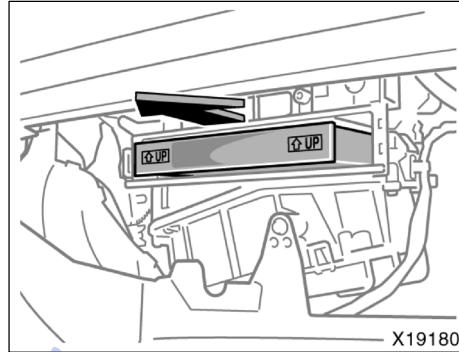
امداد خودرو فارما

تلفن شبانه روزی: ۰۲۱-۸۸۸۶۲۰۸۵

FarmaSOS.com



3. Remove the filter cover as shown in the illustration.

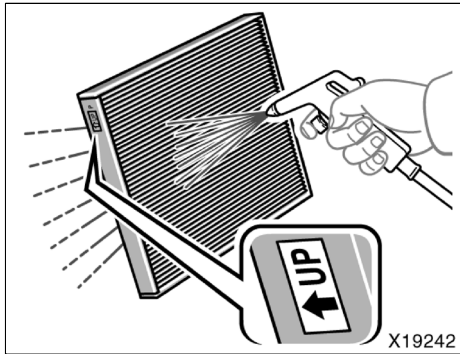


4. Pull the filter out of the filter outlet. Inspect the filter on the surface.

If it is dirty, it should be replaced.

امداد خودرو فارما
تلفن شبانه روزی: ۰۲۱-۸۸۸۶۲۰۸۵

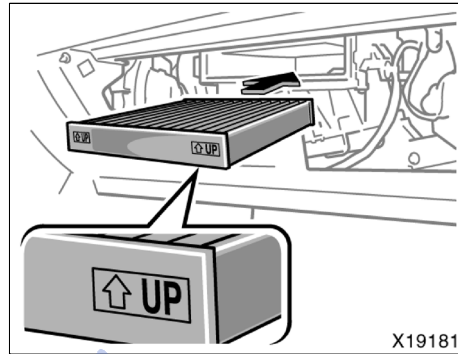
FarmaSOS.com



To clean the filter, blow compressed air through it from the bottom.

Hold the air gun 50 mm (2 in.) from the filter and blow for approximately 2 minutes at 500 kPa (5.0 kgf/cm² or bar, 72 psi).

If it is not available, have the filter cleaned by any authorized Toyota dealer or repairer, or another duly qualified and equipped professional.



When inserting the filter in the filter outlet, keep the arrow pointing up.

INFORMATION

The air filter should be installed properly in position. The use of air conditioning with the air filter removed may cause deteriorated dustproof performance and then affect air conditioning performance.

تلفن شبانه روزی: ۰۲۱-۸۸۶۲۰۸۵

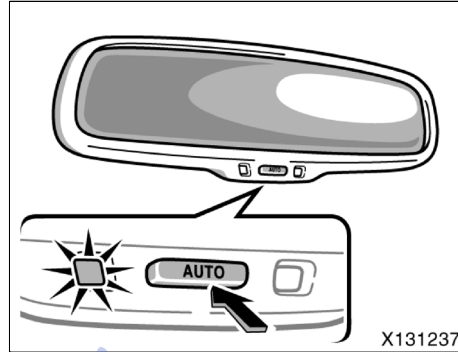
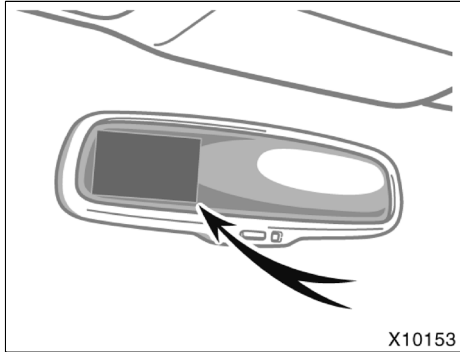
FarmaSOS.com

Section 1-10 OPERATION OF INSTRUMENTS AND CONTROLS

Other equipment

- Rear view monitor system 356
- Clock 361
- Cigarette lighter and portable ashtray 362
- Power outlets 363
- Storage precautions 364
- Glove box 365
- Auxiliary box 366
- Luggage storage boxes 367
- Rear console box 368
- Front cup holders 369
- Rear cup holders 369
- Bottle holders 370
- Tie-down hooks 371
- Grocery bag hooks 371
- Luggage cover 372
- Separation net fixing hook 376
- Rear cargo net 377
- Floor mat 379

Rear view monitor system



The rear view monitor system assists the driver by displaying an image of the view behind the vehicle while backing up. The left and right displayed on the screen are the same as those of the inside rear view mirror.

Vehicles without smart entry and start system—To display rear view image on the screen, shift into reverse when the engine switch is set at the “ON” position and back door is fully closed.

Vehicles with smart entry and start system—To display rear view image on the screen, shift into reverse when the “ENGINE START STOP” switch is set at IGNITION ON mode and back door is fully closed.

The screen turns off in the following situations:

- The shift lever is shifted out of reverse.
- The back door is opened.
- The screen remains on for approximately 5 minutes.

To temporarily disable the rear view monitor system

Push the “AUTO” button. The indicator will turn amber.

Vehicles without smart entry and start system—The system will be re-enabled once the engine switch is turned off and then turned to the “ON” position.

Vehicles with smart entry and start system—The system will be re-enabled once the “ENGINE START STOP” switch is turned off and then turned to IGNITION ON mode.

To constantly disable the rear view monitor system

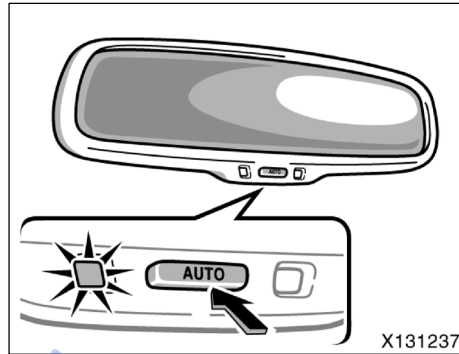
Push and hold the “AUTO” button for 12 to 15 seconds. The screen will turn off and on after 6 seconds. Keep pushing the button until the screen turns back off. The indicator will flash amber.

Vehicles without smart entry and start system—The monitor will not automatically turn on again after the engine switch is turned off and then turned to the “ON” position.

Vehicles with smart entry and start system—The monitor will not automatically turn on again after the “ENGINE START STOP” switch is turned off and then turned to IGNITION ON mode.

To re-enable the rear view monitor system

Push the "AUTO" button. The indicator will turn green.

**SELECTING A LANGUAGE**

You can select English, French or Spanish for message on the screen.

1. While the screen is on, push and hold the "AUTO" button for 6 to 12 seconds. The screen will turn on and the indicator will turn green.
2. Push the "AUTO" button. Each time the "AUTO" button is pushed and released, the language changes. A message will flash in the mirror for 5 seconds after the button is released, indicating that the change has been completed.

**CAUTION**

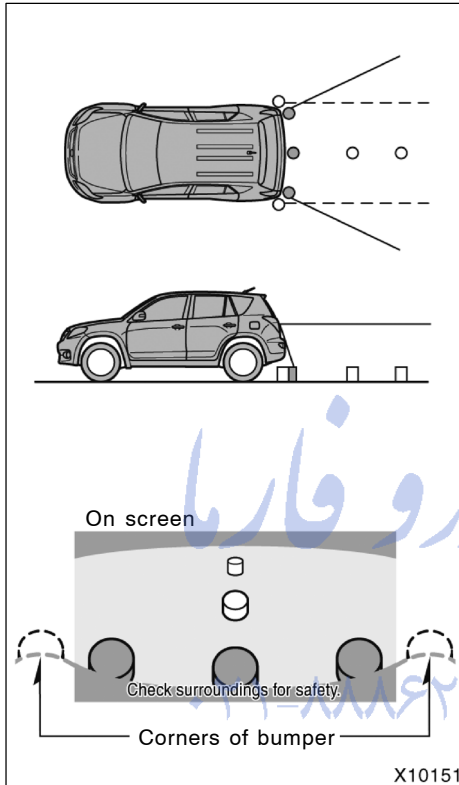
- The rear view monitor system is a supplement device intended to assist back up. Never depend on the rear view monitor system entirely when backing up. Always make sure your intended path is clear.

Use caution, just as you would when backing up any vehicle.

- Never back up while looking only at the screen. The image on the screen is different from actual conditions. Depicted distances between objects and flat surfaces will differ from actual distance. If you back up while looking only at the screen, you may hit a vehicle, a person or an object. When backing up, be sure to check behind and all around the vehicle visually and with mirrors before proceeding.
- If the back of the vehicle is hit, the position and mounting angle of the camera may change. Be sure to have the camera's position and mounting angle checked at any authorized Toyota dealer or repairer, or another duly qualified and equipped professional.
- If the temperature changes rapidly, such as when hot water is poured on the vehicle in cold weather, the system may not operate normally.
- The camera uses a special lens. The distance of the image that appears on the screen differs from the actual distance.
- If the camera lens becomes dirty, it cannot transmit a clear image. If water droplets, snow, or mud adhere to the lens, rinse with water and wipe with a soft cloth. If the lens is extremely dirty, wash it with a mild cleanser and rinse.

- Use your own eyes to confirm the vehicle's surroundings, as the displayed image may become faint or dark, and moving images will be distorted, or not entirely visible when the outside temperature is low. When backing up, be sure to check behind and all around the vehicle visually and with mirror before proceeding.

- If the tire size is changed, the area displayed on the screen may change.



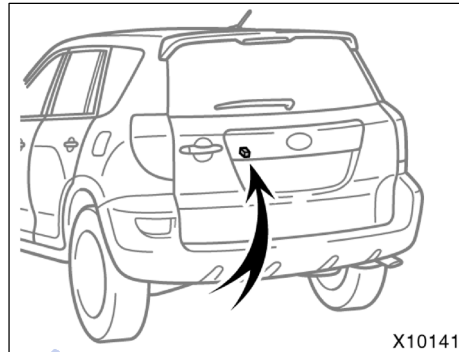
X10151

AREA DISPLAYED ON SCREEN

Image is displayed approximately level on screen.

NOTICE

- ◆ **The area detected by the camera is limited. The camera does not detect objects which are close to either corner of the bumper or under the bumper.**
- ◆ **The area displayed on the screen may vary according to vehicle orientation or road conditions.**



X10141

THE REAR VIEW MONITOR SYSTEM CAMERA

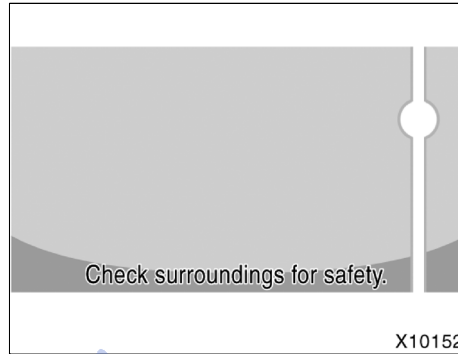
The rear view monitor system camera is located on the back door as shown in the illustration.

In the following cases, it may become difficult to see the images on the screen, even when the system is functioning.

- In the dark (for example, at night)
- When the temperature near the lens is high or low
- When water droplets are adhering to the camera, or when humidity is high (for example, when it rains)
- When foreign matter (for example, snow or mud) is adhering to the camera
- When the camera lens is scratched or has dirt on it
- When the sun or the beam of headlights is shining directly into the camera lens
- When a bright object such as a white wall is reflected in the mirror surface over the screen

NOTICE

- ◆ *As the camera has a water proof construction, do not detach, disassemble or modify it. This may cause incorrect operation.*
- ◆ *When washing the vehicle, do not apply intensive bursts of water to the camera or camera area. Doing so may result in camera malfunctions.*
- ◆ *Take care so that organic solvent, car wax, window cleaner or glass coat does not adhere to the camera. If this happens, wipe it off as soon as possible.*

**SMEAR EFFECT**

If a bright light (for example, sunlight reflected off the vehicle body) is picked up by the camera, the smear effect* peculiar to the camera may occur.

*: Smear effect—A phenomenon that occurs when a bright light (for example, sunlight reflected off the vehicle body) is picked up by the camera; when transmitted by the camera, the light source appears to have a vertical streak above and below it.

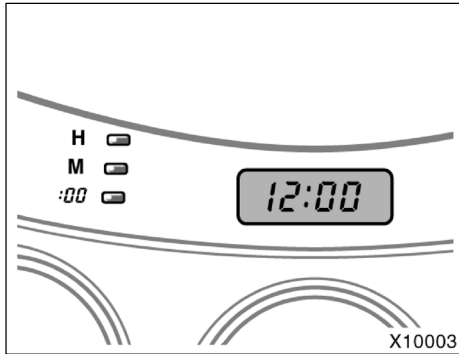
FLICKER EFFECT

When the camera is used under fluorescent light, sodium lights, or mercury lights etc., the lights and the illuminated areas may appear to flicker.

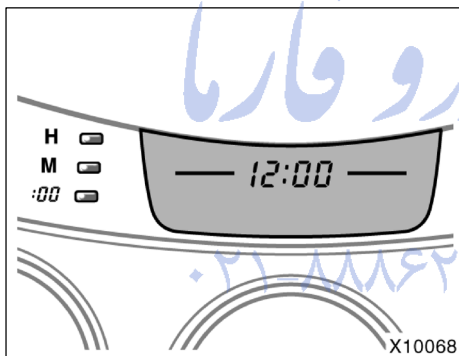
۰۲۱-۸۸۶۲۰۰۰۰

تلفن شبانه روزی

FarmaSOS.com

Clock**Manual air conditioning system**

If the electrical power source has been disconnected from the clock, the time display will automatically be set to 1:00 (one o'clock).

**Automatic air conditioning system**

To reset the hour: Push the "H" button.
To reset the minutes: Push the "M" button.

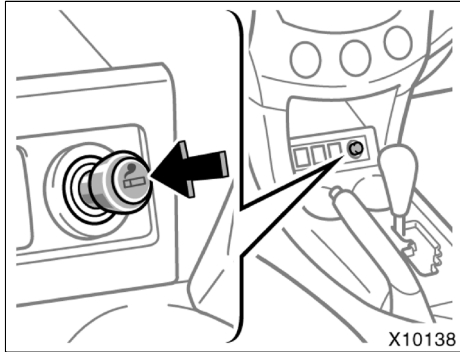
If quick adjustment to a full hour is desired, push the ":00" button.

For example, if the ":00" button is depressed when the time is between 1:01—1:29, the time will change to 1:00. If the time is between 1:30—1:59, the time will change to 2:00.

Vehicles without smart entry and start system—The engine switch must be set at the "ACC" or "ON" position.

Vehicles with smart entry and start system—The "ENGINE START STOP" switch must be set at ACCESSORY or IGNITION ON mode.

Cigarette lighter and portable ashtray



CIGARETTE LIGHTER

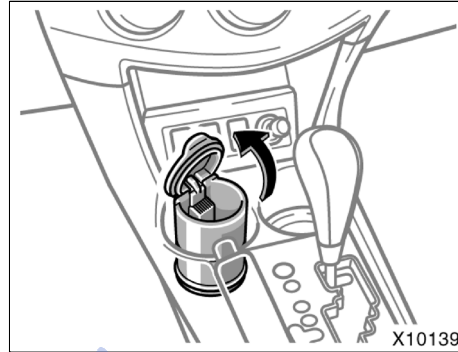
To use the cigarette lighter, press it in. After it finishes heating up, it automatically pops out ready for use.

Vehicles without smart entry and start system—If the engine is not running, the engine switch must be set at the “ACC” position.

Vehicles with smart entry and start system—If the engine is not running, the “ENGINE START STOP” switch must be set at ACCESSORY mode.

Do not hold the cigarette lighter pressed in.

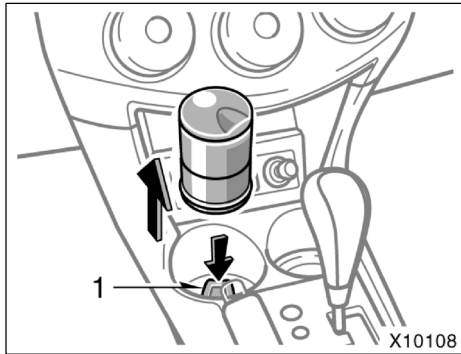
Use a Toyota genuine cigarette lighter or equivalent for replacement.



PORTABLE ASHTRAY

To use the ashtray, raise the lid.

When finished with your cigarette, thoroughly extinguish it in the ashtray to prevent other cigarette butts from catching fire. After using the ashtray, close the lid completely.



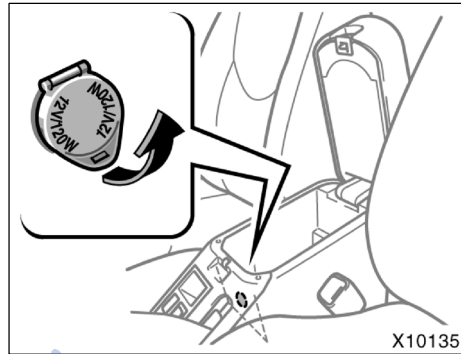
The ashtray can be removed and used outside the vehicle.

To remove the ashtray, press the adapter (1) and pull it out.

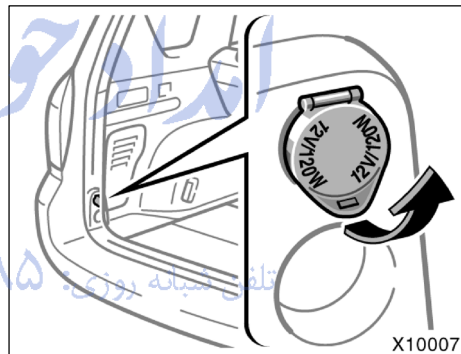
CAUTION

To reduce the chance of injury in case of an accident or sudden stop while driving, always completely close the ashtray after use.

Power outlets



Rear console box



Luggage compartment

The power outlets are designed for power supply for car accessories.

Vehicles without smart entry and start system—The engine switch must be set at the “ACC” or “ON” position for the power outlets to be used.

Vehicles with smart entry and start system—The “ENGINE START STOP” switch must be set at ACCESSORY or IGNITION ON mode for the power outlets to be used.

Storage precautions

NOTICE

- ◆ *To prevent the fuse from being blown, do not use the electricity over the total vehicle capacity of 12 V/120W (front and rear outlets together).*
- ◆ *To prevent the battery from being discharged, do not use the power outlets longer than necessary when the engine is not running.*
- ◆ *Close the power outlet lids when the power outlets are not in use. Inserting anything other than an appropriate plug that fits the outlet, or allowing any liquid to get into the outlet may cause electrical failure or short circuits.*

 **CAUTION**

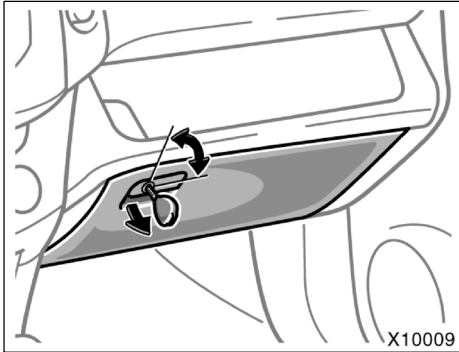
Do not leave glasses, lighters or spray cans in the storage spaces, as this may cause the following when cabin temperature becomes high:

- Glasses may be deformed by heat or cracked if they come into contact with other stored items.
- Lighters or spray cans may explode. If they come into contact with other stored items, the lighter may catch fire or the spray can may release gas, causing a fire hazard.

امداد خودرو فارما
تلفن شبانه روزی: ۰۲۱-۸۸۶۲۰۸۵

FarmaSOS.com

Glove box



To use the glove box, open by pulling the lever.

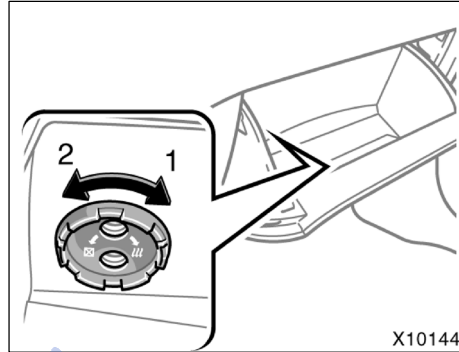
You can lock and unlock the glove box by the master key (vehicles without smart entry and start system) or mechanical key (vehicles with smart entry and start system).

To lock: Insert the key and turn it clockwise.

To unlock: Insert the key and turn it counterclockwise.

CAUTION

To reduce the chance of injury in case of an accident or a sudden stop, always keep the glove box door closed while driving.



USING GLOVE BOX VENT

On some models—

Air from the air conditioner can be distributed into the glove box by opening and closing the vent.

To open: Turn the cover in the direction shown by the arrow 1.

To close: Turn the cover in the direction shown by the arrow 2.

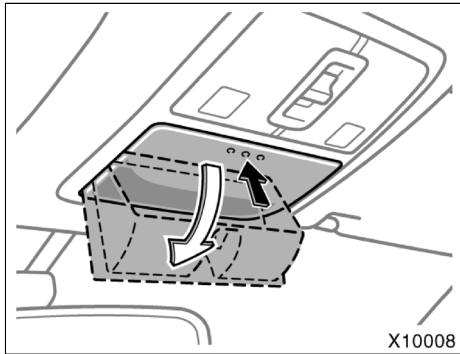
Perishable items should not be put in the box.

When you use the heat mode of air conditioning system, close the vent. Otherwise, you may feel cool air under foot.


NOTICE

When the vent is opened, do not place anything other than canned or bottled drinks (for example, owner's manual etc.) in the box.

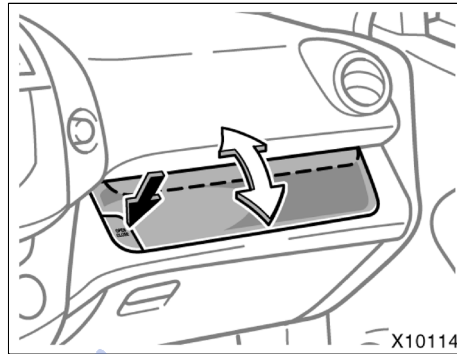
**Auxiliary box
(overhead console)**



To use the box, open it as shown above.

 CAUTION
<ul style="list-style-type: none"> ● To reduce the chance of injury in case of an accident or a sudden stop, always keep the auxiliary box closed while driving. ● As this holder is designed for holding light objects such as eyeglasses, do not place objects heavier than 0.2 kg (0.4 lb.) in it. Heavy objects may cause the holder to open and the contents to fly out resulting in injuries.


**Auxiliary box
(instrument panel)**

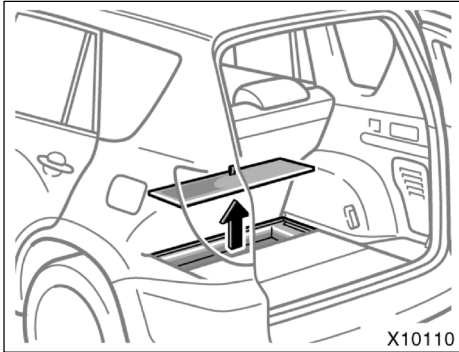


To open the box, push the “OPEN CLOSE” button.

To close the box, push the “OPEN CLOSE” button again.

Do not attempt to open the box forcibly when your vehicle is on a steep downhill. Move your vehicle to flat road and open the box by pushing the button.

 CAUTION
<p>To reduce the chance of injury in case of an accident or a sudden stop, always keep the auxiliary box closed while driving.</p>

Luggage storage boxes**Front**

To use the box, do the following.

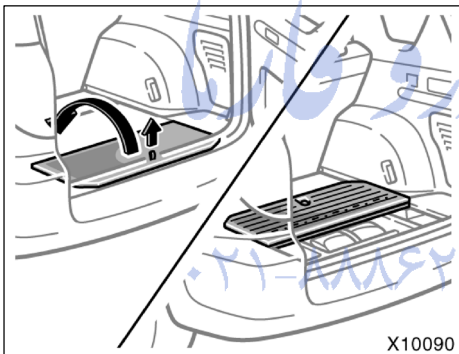
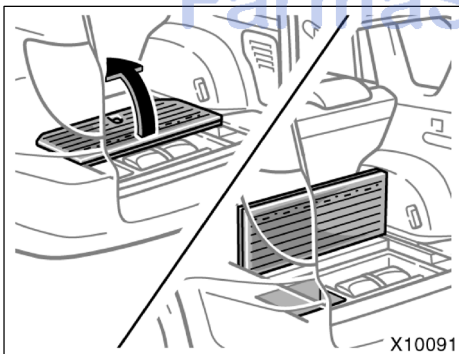
Front: Remove the deck board.

Rear (type A): Open the deck board by pulling up the strap.

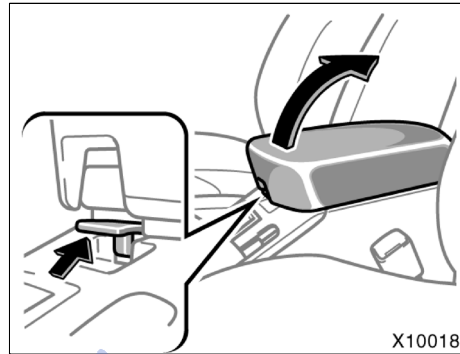
Rear (type B): Fold up the deck board.

CAUTION

To reduce the chance of injury in case of an accident or a sudden stop, always keep the luggage storage boxes closed while driving.

**Rear (type A)****Rear (type B)**

Rear console box



CONSOLE BOX

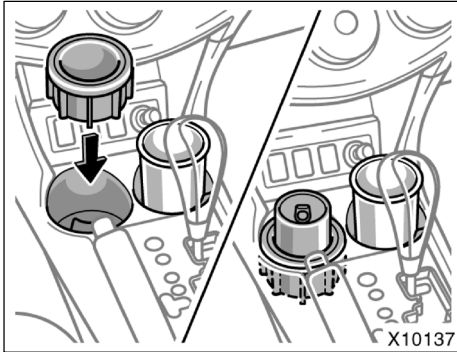
To access the rear console box, pull up the lock release lever while raising the rear console box lid.

CAUTION

To reduce the chance of injury in case of an accident or a sudden stop, always keep the console box closed while driving.

UPPER TRAY

To access the upper tray, raise the console box lid without touching the lock release lever.

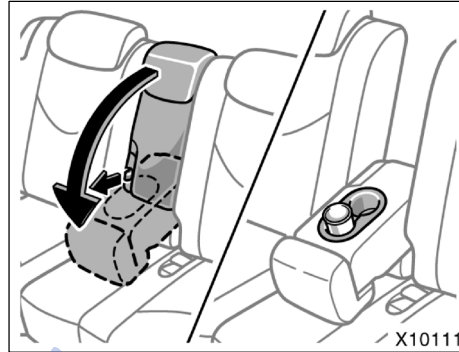
Front cup holders

The cup holders are designed for holding cups or drink-cans securely.

A detachable adapter is provided for each cup holder. Installing the adapter allows a smaller cup or drink-can to be securely held in the holder.

! CAUTION

Do not place anything else other than cups or drink-cans in the cup holder, as such items may be thrown about in the compartment and possibly injure people in the vehicle during sudden braking or in an accident. If possible, cover hot drinks to prevent burns.

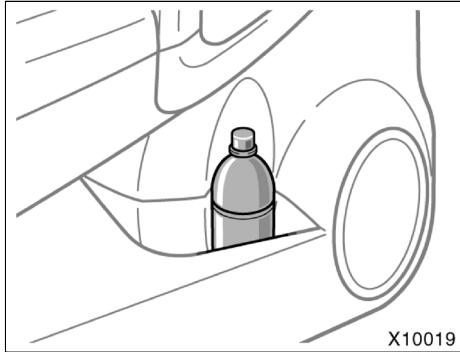
Rear cup holders

The cup holders are designed for holding cups or drink-cans securely.

To use the holder, push down the armrest by pulling the strap.

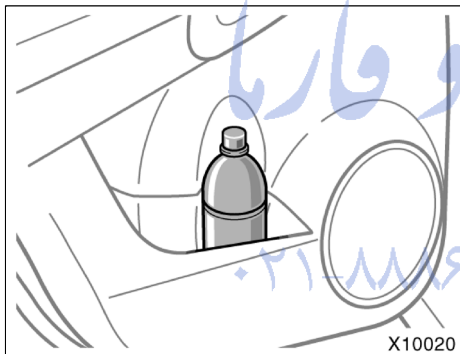
! CAUTION

Do not place anything else other than cups or drink-cans in the cup holder, as such items may be thrown about in the compartment and possibly injure people in the vehicle during sudden braking or in an accident. If possible, cover hot drinks to prevent burns.

Bottle holders

Front door

NOTICE
<i>Do not put a cup or open bottle in the bottle holder because the contents may spill when the door opens or closes.</i>

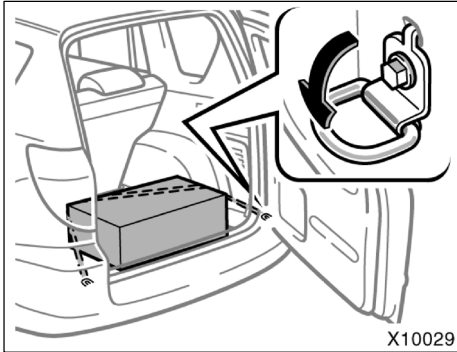


Rear door

The bottle holders are designed to hold bottles.

⚠ CAUTION

Do not attempt to use the holder for any other purpose for which it was intended. Inappropriately sized or shaped objects may be thrown about in the compartment and possibly injure people in the vehicle during a sudden braking or an accident.

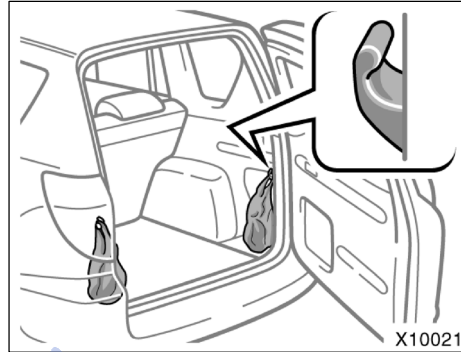
Tie-down hooks

To secure your luggage, use the tie-down hooks as shown above.

See "Luggage stowage precautions" on page 402 in Section 2 for precautions when loading luggage.

CAUTION

To avoid personal injury, keep the tie-down hooks stored when not in use.

Grocery bag hooks

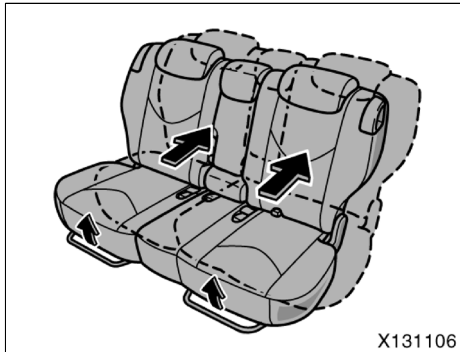
This hook is designed to hang things such as grocery bags.

NOTICE

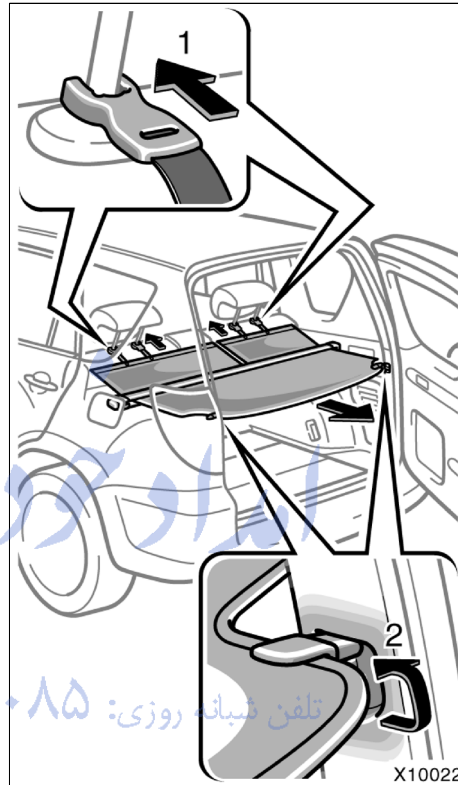
To prevent damage to the hook, avoid hanging heavy loads on it.

تلفن شبانه روزی: ۰۲۱-۸۸۶۲۰۸۵

FarmaSOS.com

Luggage cover**BEFORE USING LUGGAGE COVER**

Move the rear seats to the rear-most lock position.

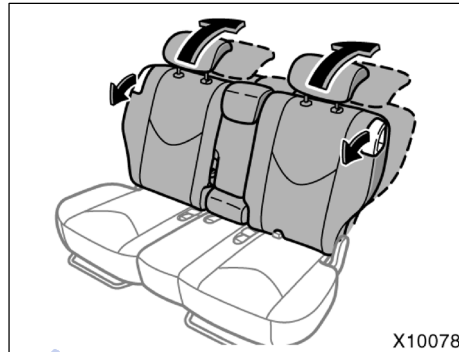
**USING LUGGAGE COVER**

To use the luggage cover:

1. Attach the front hooks of the luggage cover to the head restraint.
2. Pull out the rear luggage cover and hook it on the anchors.

⚠ CAUTION

- Do not place anything on the luggage cover. Such items may be thrown about and possibly injure people in the vehicle during sudden braking or a collision.
- To reduce the chance of death or serious injury in case of an accident or sudden stop, make sure the luggage cover is secured in place.

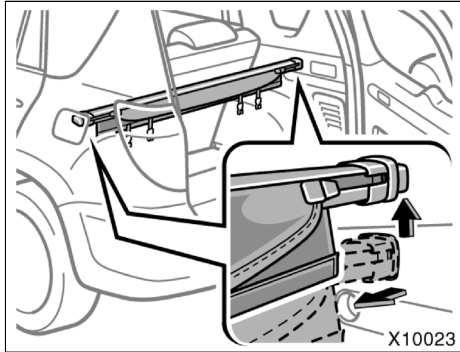


If the front hooks cannot be attached to the head restraint, push down the rear seatback.

امداد خودرو فارما

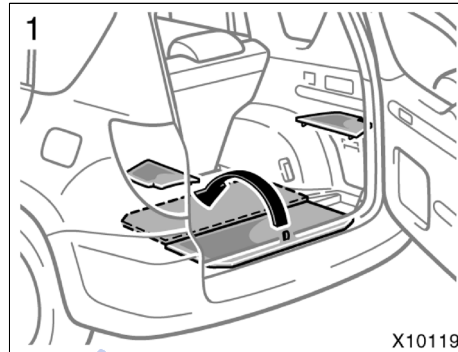
تلفن شبانه روزی: ۰۲۱-۸۸۸۶۲۰۸۵

FarmaSOS.com

**REMOVING LUGGAGE COVER**

Compress the end of the luggage cover and lift the cover up.

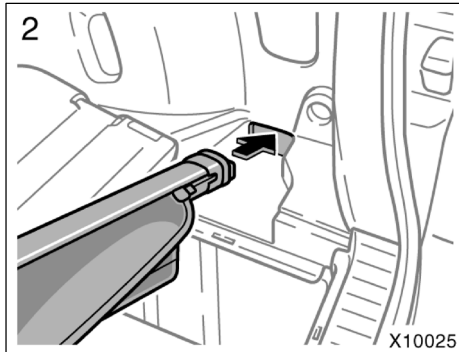
After you remove the luggage cover, stow it under deck board as described below. This will prevent passengers from injury in the event of a sudden stop or accident.

**STOWING LUGGAGE COVER**

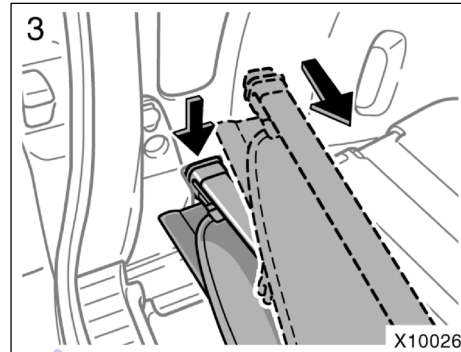
1. Open the deck board and remove the side deck cover.

تلفن شبانه روزی: ۰۲۱-۸۸۶۲۰۸۵

FarmaSOS.com



2. Insert the right end of the luggage cover into the hole in the luggage compartment as shown.



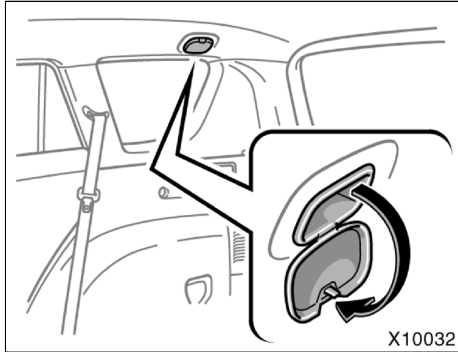
3. Compress the left end of the luggage cover, and fit it into the hollow on the other side of the luggage compartment.

 CAUTION

Make sure the luggage cover is surely stowed.

تلفن شبانه روزی: ۰۲۱-۸۸۸۶۲۰۸۵

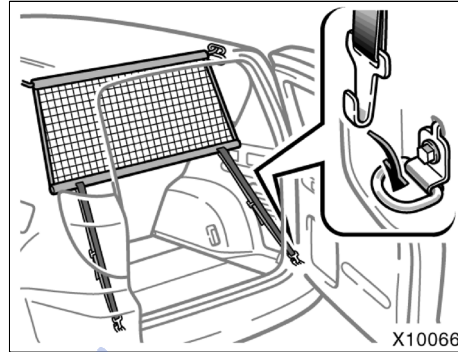
FarmaSOS.com

Separation net fixing hook

This is the hook to fix the separation net which is the option installment kit for any authorized Toyota dealer or repairer, or another duly qualified and equipped professional.

You can separate the luggage compartment by installing the separation net.

When using this, open the cover.



You can use the tie-down hooks to hook the claw of the separation net strap.

Make sure the net does not interfere with a reclined seatback or head restraint.

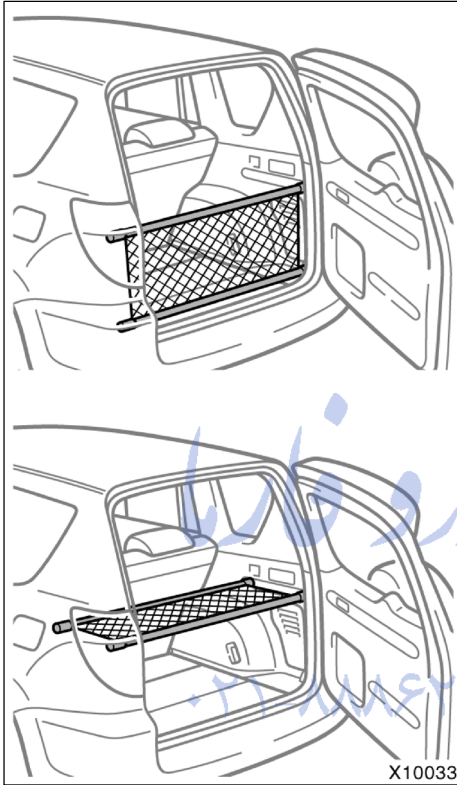
Refer to the attached instruction manual for installment.

⚠ CAUTION

When not using the separation net, make sure that the cover of the fixing hook is closed. If the cover is open, it might cause the unexpected injury like hitting a head.

FarmaSOS.com

Rear cargo net


 CAUTION

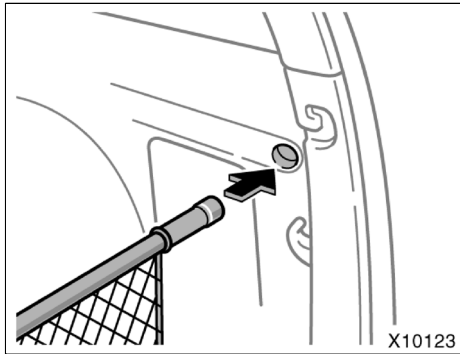
- To reduce the chance of injury in case of an accident or sudden stop, make sure the net is secured in place.
- Do not climb on or hang on the net.
- To prevent cargo and luggage from sliding forward during braking, do not place anything on the net higher than the rear seatbacks. Otherwise, such items may be thrown about and possibly injure people in the vehicle during sudden braking or an accident.

NOTICE

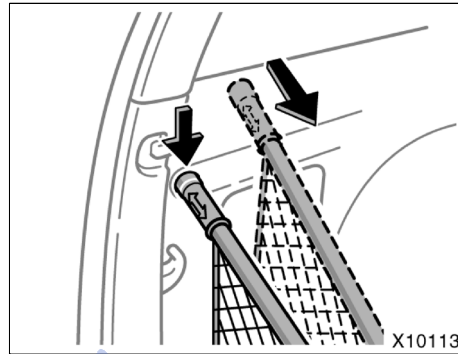
- ◆ Do not place breakable items on the net.
- ◆ Do not place anything heavier than 10 kg (22.1 lb.) on the net.

To secure your luggage, use the rear cargo net. You can also put loads on the net.

See "Luggage stowage precautions" on page 402 in Section 2 for precautions when loading luggage.

**USING CARGO NET**

To use the net, insert the right end of the pipe into the hole.

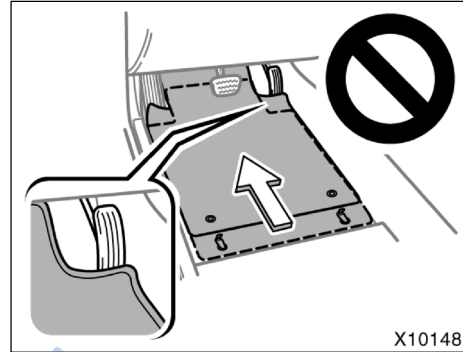
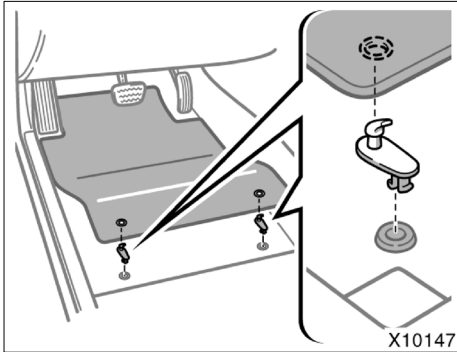


Compress the left end of the pipe, and fit it into the hole on the other side of the luggage compartment.

If the cargo net is left to be removed, place it somewhere other than the passenger compartment. This will prevent passengers from injury in the event of a sudden stop or an accident.

تلفن شبانه روزی: ۰۲۱-۸۸۸۶۲۰۸۵

FarmaSOS.com

Floor mat

Use only floor mats designed specifically for vehicles of the same model and model year as your vehicle. Fix them securely in place onto the carpet.

Fix the floor mat in place using the retaining hooks (clips) provided.

The shape of the retaining hooks (clips) and the fixing procedure of the floor mat for your vehicle may differ from those shown in the illustration. For details, refer to the floor mat retention clip installation instructions supplied with the clips.

! CAUTION

Observe the following precautions. Failure to do so may cause the driver's floor mat to slip, possibly interfering with the pedals while driving. An unexpectedly high speed may result or it may become difficult to stop the vehicle, leading to a serious accident.

When installing the driver's floor mat:

- Do not use floor mats designed for other models or different model year vehicles, even if they are Toyota Genuine floor mats.
- Only use floor mats designed for the driver's seat.
- Always install the floor mat securely using the retaining hooks (clips) provided.
- Do not use two or more floor mats on top of each other.
- Do not place the floor mat bottom-side up or upside-down.

Before driving:

- Check that the floor mat is securely fixed in the correct place with all the provided retaining hooks (clips). Be especially careful to perform this check after cleaning the floor.
- With the engine stopped and the shift lever in "P" (automatic transmission and Multidrive) or neutral (manual transmission), fully depress each pedal to the floor to make sure it does not interfere with the floor mat.

امداد خودرو فارما

تلفن شبانه روزی: ۰۲۱-۸۸۸۶۲۰۸۵

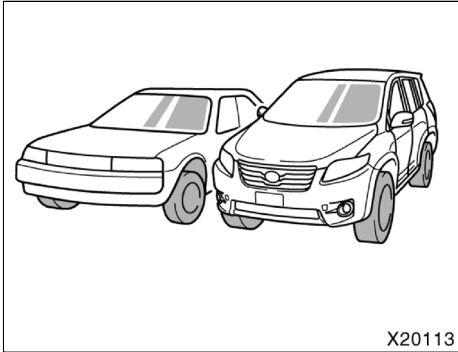
FarmaSOS.com

Section 2

INFORMATION BEFORE DRIVING YOUR TOYOTA

- Utility vehicle precautions 382
- Break-in period 383
- Fuel 384
- Fuel pump shut off system 387
- Operation in foreign countries 387
- Three-way catalytic converters 388
- Catalytic converters 389
- DPF catalytic converter and catalytic converter 390
- DPNR catalytic converter and catalytic converter 391
- Engine exhaust cautions 392
- Facts about engine oil consumption 393
- Long reach iridium-tipped spark plugs 394
- Iridium-tipped spark plugs 394
- Brake system 395
- Brake pad wear indicators 399
- Electric power steering system 400
- Luggage stowage precautions 402
- Roof luggage carrier precautions 403
- Rear step bumper 404
- Your Toyota's identification 404
- Theft prevention labels 406
- Suspension and chassis 407

Utility vehicle precautions



This vehicle belongs to the utility vehicle class, which has higher ground clearance and narrower tread in relation to the height of its center of gravity to make it capable of performing in a wide variety of off-road applications. Specific design characteristics give it a higher center of gravity than ordinary passenger cars. This vehicle design feature causes this type of vehicle to be more likely to rollover. And, utility vehicles have a significantly higher rollover rate than other types of vehicles. An advantage of the higher ground clearance is a better view of the road allowing you to anticipate problems. It is not designed for cornering at the same speeds as ordinary passenger cars any more than low-slung sports cars designed to perform satisfactorily under off-road conditions. Therefore, sharp turns at excessive speeds may cause rollover.

CAUTION

Always observe the following precautions to minimize the risk of death, serious injury or damage to the vehicle:

- In a rollover crash, an unbelted person has a significantly higher risk of death or serious injury than a person wearing a seat belt. Therefore, the driver and all passengers should fasten their seat belts whenever the vehicle is moving.
- Avoid sharp turns or abrupt maneuvers, if at all possible. Failure to operate the vehicle correctly may result in loss of control or vehicle rollover causing death or serious injury.
- Loading cargo on the roof luggage carrier will make the vehicle center of gravity higher. When cargo is on the roof luggage carrier, take extra care to avoid high speeds, sudden starts, sharp turns, sudden braking or abrupt maneuvers. These actions may result in loss of control or vehicle rollover due to failure to operate the vehicle correctly. If at all possible, avoid loading any heavy cargo on the roof.
- Always slow down in gusty crosswinds. Because of its profile and higher center of gravity, your vehicle is more sensitive to side winds than an ordinary passenger car. Slowing down will allow you to have better control.

- **When driving off-road or in rugged terrain, do not drive at excessive speeds, jump, make sharp turns, strike objects, etc. This may cause loss of control or vehicle rollover causing death or serious injury. You are also risking expensive damage to your vehicle's suspension and chassis.**
- **Do not drive horizontally across steep slopes. Driving straight up or straight down is preferred. Your vehicle (or any similar off-road vehicle) can tip over sideways much more easily than forward or backward.**

Break-in period

Drive gently and avoid high speeds.

Your vehicle does not need an elaborate break-in. But following a few simple tips for the first 2000 km (1200 miles) can add to the future economy and long life of your vehicle:

- Avoid full throttle acceleration when starting and driving.
- Avoid racing the engine.
- Try to avoid hard stops during the first 300 km (200 miles).
- Do not drive slowly with the manual transmission in a high gear.
- Do not drive for a long time at any single speed, either fast or slow.
- Do not tow a trailer during the first 800 km (500 miles).

تلفن شبانه روزی: ۰۲۱-۸۸۸۶۲۰۸۵

FarmaSOS.com

Fuel (gasoline engine)

Selecting the proper fuel is essential for satisfactory engine performance.

Engine damage caused by use of improper fuels is not covered under Toyota's new vehicle warranty.

NOTICE

- ◆ **Do not use improper fuels. If improper fuels are used the engine will be damaged.**
- ◆ **Do not use leaded gasoline. Use of leaded gasoline will cause the three-way catalytic converter to lose its effectiveness and the emission control system to function improperly. Also, this can increase maintenance costs.**
- ◆ **EU area: Bioethanol fuel sold under names such as "E50" or "E85" and fuel containing a large amount of ethanol should not be used. The use of these fuels will damage the vehicle's fuel system. In case of any doubt, ask any authorized Toyota dealer or repairer, or another duly qualified and equipped professional.**
- ◆ **Except EU area: Bioethanol fuel sold under names such as "E50" or "E85" and fuel containing a large amount of ethanol should not be used. Your vehicle can use gasoline mixed with 10% max ethanol. The use of fuel with more than 10% ethanol content (E10) will damage the vehicle's fuel system. You must ensure that refueling is carried out only from a source where fuel specification and quality can be guaranteed. In case of any doubt, ask any authorized Toyota dealer or repairer, or another duly qualified and equipped professional.**

FUEL TYPE

EU area:

Your vehicle must use only unleaded gasoline conforming to European standard EN228.

For optimum engine performance, select unleaded gasoline with a Research Octane Number of 95 or higher.

Except EU area:

Your vehicle must use only unleaded gasoline.

For optimum engine performance, select unleaded gasoline with a Research Octane Number of 95 or higher.

To help prevent gas station mix-ups, your vehicle has a smaller fuel tank opening. The special nozzle on pumps with unleaded fuel will fit it, but the larger standard nozzle on pumps with leaded gas will not.

OCTANE NUMBER

Select unleaded gasoline with a Research Octane Number of 95 or higher.

Use of fuel with an octane or cetane number lower than stated will cause persistent heavy knocking. If severe, this will lead to engine damage.

USE OF ETHANOL BLENDED GASOLINE IN A GASOLINE ENGINE

Toyota allows the use of ethanol blended gasoline where the ethanol content is up to 10%. Make sure that the ethanol blended gasoline to be used has a Research octane Number that follows the above.

If your engine knocks...

If you detect heavy knocking even when using the recommended fuel, or if you hear steady knocking while holding a steady speed on level roads, consult any authorized Toyota dealer or repairer, or another duly qualified and equipped professional.

However, occasionally, you may notice light knocking for a short time while accelerating or driving up hills. This is normal and there is no need for concern.

FUEL TANK CAPACITY

60 L (15.9 gal., 13.2 Imp. gal.)

Fuel (diesel engine)

Selecting the proper fuel is essential for satisfactory engine performance.

Engine damage caused by use of improper fuels is not covered under Toyota's new vehicle warranty.

NOTICE

- ◆ **Do not use improper fuels. If improper fuels are used the engine will be damaged.**
- ◆ **2AD-FTV (without DPF catalytic converter) engine—Do not use a fuel that contains more than 500 ppm of sulfur. Use of such a high sulfur fuel may damage the engine.**
- ◆ **2AD-FTV (with DPF catalytic converter) and 2AD-FHV engines—Do not use a fuel that contains more than 50 ppm of sulfur. Use of such a high sulfur fuel may damage the engine.**
- ◆ **EU area: FAME (Fatty Acid Methyl Ester) fuel sold under names such as "B30" or "B100" and fuel containing a large amount of FAME should not be used. The use of these fuels will damage the vehicle's fuel system. In case of any doubt, ask any authorized Toyota dealer or repairer, or another duly qualified and equipped professional.**

◆ **Except EU area: FAME (Fatty Acid Methyl Ester) fuel sold under names such as "B30" or "B100" and fuel containing a large amount of FAME should not be used. Your vehicle can use diesel mixed with 5% max biodiesel FAME (B5). The use of fuel with more than 5% FAME content (B5) will damage the vehicle's fuel system. You must ensure that refueling is carried out only from a source where fuel specification and quality can be guaranteed. In case of any doubt, ask any authorized Toyota dealer or repairer, or another duly qualified and equipped professional.**

CETANE NUMBER

Select cetane number 48 or higher

Use of fuel with a cetane number lower than stated will cause persistent heavy knocking. If severe, this will lead to engine damage.

If your engine knocks...

If you detect heavy knocking even when using the recommended fuel, or if you hear steady knocking while holding a steady speed on level roads, consult any authorized Toyota dealer or repairer, or another duly qualified and equipped professional.

However, occasionally, you may notice light knocking for a short time while accelerating or driving up hills. This is normal and there is no need for concern.

FUEL TYPE

2AD-FTV (without DPF catalytic converter) engine—

EU area:

Your vehicle must use only diesel fuel conforming to European standard EN590.

Except EU area:

Your vehicle must use only diesel fuel that contains 500 ppm or less of sulfur and has a cetane number of 48 or higher.

2AD-FTV (with DPF catalytic converter) and 2AD-FHV engines—

EU area:

Your vehicle must use only diesel fuel conforming to European standard EN590.

Except EU area:

Your vehicle must use only diesel fuel that contains 50 ppm or less of sulfur and has a cetane number of 48 or higher.

If you plan to drive in foreign countries, low sulfur diesel fuel may not be available, so please confirm the availability with your distributor.

FUEL TANK CAPACITY

60 L (15.9 gal., 13.2 Imp. gal.)

**Fuel pump shut off system
(gasoline engine)**

Vehicles without smart entry and start system—The fuel pump shut off system stops supplying fuel to the engine to minimize the risk of fuel leakage when the engine stalls or an airbag inflates upon collision. To restart the engine after the fuel pump shut off system activates, turn the engine switch to the “ACC” position or off once and start it.

Vehicles with smart entry and start system—The fuel pump shut off system stops supplying fuel to the engine to minimize the risk of fuel leakage when the engine stalls or an airbag inflates upon collision. To restart the engine after the fuel pump shut off system activates, turn the “ENGINE START STOP” switch to ACCESSORY mode or off once and start it.

 **CAUTION**

Inspect the ground under the vehicle before restarting the engine. If you find that fuel has leaked onto the ground, the fuel system has been damaged and is in need of repair. In this case, do not restart the engine.

**Operation in foreign
countries**

If you plan to drive your Toyota in another country...

First, comply with the vehicle registration laws.

Second, confirm the availability of the correct fuel.

Three-way catalytic converters (gasoline engine)

The three-way catalytic converter is an emission control device installed in the exhaust system.

The purpose is to reduce pollutants in the exhaust gas.



CAUTION

- Keep people and combustible materials away from the exhaust pipe while the engine is running. The exhaust gas is very hot.
- Do not idle or park your vehicle over anything that might burn easily such as grass, leaves, paper or rags.

NOTICE

A large amount of unburned gases following into the three-way catalytic converter may cause it to overheat and create a fire hazard. To prevent this and other damage, observe the following precautions:

- ◆ Use only unleaded gasoline.
- ◆ Do not drive with an extremely low fuel level; running out of fuel could cause the engine to misfire, creating an excessive load on the three-way catalytic converter.
- ◆ Do not allow the engine to run at idle speed for more than 20 minutes.
- ◆ Avoid racing the engine.
- ◆ Do not push-start or pull-start your vehicle.
- ◆ Do not turn off the engine while the vehicle is moving.

◆ Keep your engine in good running order. Malfunctions in the engine electrical system, electronic ignition system/distributor ignition system or fuel system could cause an extremely high three-way catalytic converter temperature.

◆ If the engine becomes difficult to start or stalls frequently, take your vehicle in for a check-up to any authorized Toyota dealer or repairer, or another duly qualified and equipped professional.

◆ To ensure that the three-way catalytic converter and the entire emission control system operate properly, your vehicle must receive the periodic inspections required by the Toyota Maintenance Schedule. For scheduled maintenance information, refer to the "Toyota Service Booklet" or "Toyota Warranty Booklet".

تلفن شبانه روزی: ۰۱۵-۸۸۶۲۰۱۱۶۲

masos.com

Catalytic converters (2AD-FTV engine without DPF catalytic converter)

The catalytic converter is an emission control device installed in the exhaust system.

The purpose is to reduce pollutants in the exhaust gas.

CAUTION

- Keep people and combustible materials away from the exhaust pipe while the engine is running. The exhaust gas is very hot.
- Do not idle or park your vehicle over anything that might burn easily such as grass, leaves, paper or rags.

NOTICE

A large amount of unburned gases flowing into the catalytic converter may cause it to overheat and create a fire hazard. To prevent this and other damage, observe the following precautions:

- ◆ *Use only diesel fuel.*
- ◆ *Do not drive with an extremely low fuel level; running out of fuel could cause the engine to misfire, creating an excessive load on the catalytic converter.*
- ◆ *Do not allow the engine to run at idle speed for more than 20 minutes.*
- ◆ *Do not push-start or pull-start your vehicle.*
- ◆ *Do not turn off the engine while the vehicle is moving.*
- ◆ *Keep your engine in good running order. Malfunctions in the engine electrical system or fuel system could cause an extremely high catalytic converter temperature.*
- ◆ *If the engine becomes difficult to start or stalls frequently, take your vehicle in for a check-up to any authorized Toyota dealer or repairer, or another duly qualified and equipped professional.*
- ◆ *To ensure that the catalytic converter and the entire emission control system operate properly, your vehicle must receive the periodic inspections required by the Toyota Maintenance Schedule. For scheduled maintenance information, refer to the "Toyota Service Booklet" or "Toyota Warranty Booklet".*

DPF catalytic converter and catalytic converter (2AD-FTV engine with DPF catalytic converter)

The DPF (Diesel Particulate Filter System) catalytic converter and catalytic converter are emission control devices installed in the exhaust system.

The purpose is to reduce pollutants in the exhaust gas.



CAUTION

- Keep people and combustible materials away from the exhaust pipe while the engine is running. The exhaust gas is very hot.
- Do not drive, idle or park your vehicle over anything that might burn easily such as grass, leaves, paper or rags.

NOTICE

A large amount of unburned gases flowing into the catalytic converter may cause it to overheat and create a fire hazard. To prevent this and other damage, observe the following precautions:

- ◆ *Use only diesel fuel.*
- ◆ *Do not drive with an extremely low fuel level; running out of fuel could cause the engine to misfire, creating an excessive load on the catalytic converters.*
- ◆ *Do not allow the engine to run at idle speed for more than 20 minutes.*
- ◆ *Do not push-start or pull-start your vehicle.*
- ◆ *Do not turn off the engine while the vehicle is moving.*
- ◆ *Keep your engine in good running order. Malfunctions in the engine electrical system or fuel system could cause an extremely high catalytic converter temperature.*
- ◆ *If the engine becomes difficult to start or stalls frequently, take your vehicle in for a check-up to any authorized Toyota dealer or repairer, or another duly qualified and equipped professional.*
- ◆ *To ensure that the catalytic converters and the entire emission control system operate properly, your vehicle must receive the periodic inspections required by the Toyota Maintenance Schedule. For scheduled maintenance information, refer to the "Toyota Service Booklet" or "Toyota Warranty Booklet".*

DPNR catalytic converter and catalytic converter (2AD-FHV engine)

The DPNR (Diesel Particulate-NOx Reduction System) catalytic converter and catalytic converter are emission control devices installed in the exhaust system.

The purpose is to reduce pollutants in the exhaust gas.

CAUTION

- Keep people and combustible materials away from the exhaust pipe while the engine is running. The exhaust gas is very hot.
- Do not idle or park your vehicle over anything that might burn easily such as grass, leaves, paper or rags.

NOTICE

A large amount of unburned gases flowing into the catalytic converter may cause it to overheat and create a fire hazard. To prevent this and other damage, observe the following precautions:

- ◆ *Use only diesel fuel.*
- ◆ *Do not drive with an extremely low fuel level; running out of fuel could cause the engine to misfire, creating an excessive load on the catalytic converters.*
- ◆ *Do not allow the engine to run at idle speed for more than 20 minutes.*
- ◆ *Do not push-start or pull-start your vehicle.*
- ◆ *Do not turn off the engine while the vehicle is moving.*
- ◆ *Keep your engine in good running order. Malfunctions in the engine electrical system or fuel system could cause an extremely high catalytic converter temperature.*
- ◆ *If the engine becomes difficult to start or stalls frequently, take your vehicle in for a check-up to any authorized Toyota dealer or repairer, or another duly qualified and equipped professional.*
- ◆ *To ensure that the catalytic converters and the entire emission control system operate properly, your vehicle must receive the periodic inspections required by the Toyota Maintenance Schedule. For scheduled maintenance information, refer to the "Toyota Service Booklet" or "Toyota Warranty Booklet".*

Engine exhaust cautions**CAUTION**

- Exhaust gases include harmful carbon monoxide (CO) that is colorless and odorless. Inhaling exhaust gases may lead to death or a serious health hazard.
 - The exhaust should be checked occasionally. If there is a hole or crack caused by corrosion, damage to a joint or abnormal exhaust noise, be sure to have the vehicle inspected and repaired by any authorized Toyota dealer or repairer, or another duly qualified and equipped professional.
 - Failure to do so may allow exhaust gases to enter the vehicle, resulting in death or a serious health hazard.
 - If the vehicle is in a poorly ventilated area, turn the engine off. In a closed area, such as a garage, exhaust gases may collect and enter the vehicle. This may lead to death or a serious health hazard.
 - Do not remain for a long time in a parked vehicle with the engine running. If it is unavoidable, however, do so only in an unconfined area and adjust the heating or cooling system to force outside air into the vehicle.
 - Keep the back door closed while driving. An open or unsealed back door may cause exhaust gases to be drawn into the vehicle.
 - To allow proper operation of your vehicle's ventilation system, keep the inlet grilles in front of the windshield clear of snow, leaves, or other obstructions.
- If the smell of exhaust is noticed inside the vehicle, open the windows. Large amounts of exhaust in the vehicle can cause driver drowsiness and an accident, resulting in death or a serious health hazard. Have the vehicle inspected by any authorized Toyota dealer or repairer, or another duly qualified and equipped professional immediately.
 - Do not leave the engine running in an area with snow build-up, or where it is snowing. If snowbanks build up around the vehicle while the engine is running, exhaust gases may collect and enter the vehicle. This may lead to death or a serious health hazard.
 - When taking a nap in the vehicle, always turn the engine off. Otherwise, you may accidentally move the shift lever or depress the accelerator pedal, which could cause an accident or fire due to engine overheating. Additionally, if the vehicle is parked in a poorly ventilated area, exhaust gases may collect and enter the vehicle, leading to death or a serious health hazard.

Facts about engine oil consumption

FUNCTIONS OF ENGINE OIL

Engine oil has the primary functions of lubricating and cooling the inside of the engine, and plays a major role in maintaining the engine in proper working order.

ENGINE OIL CONSUMPTION

It is normal that an engine should consume some engine oil during normal engine operation. The causes of oil consumption in a normal engine are as follows.

- Oil is used to lubricate pistons, piston rings and cylinders. A thin film of oil is left on the cylinder wall when a piston moves downwards in the cylinder. High negative pressure generated when the vehicle is decelerating sucks some of this oil into the combustion chamber. This oil as well as some part of the oil film left on the cylinder wall is burned by the high temperature combustion gases during the combustion process.
- Oil is also used to lubricate the stems of the intake valves. Some of this oil is sucked into the combustion chamber together with the intake air and is burned along with the fuel. High temperature exhaust gases also burn the oil used to lubricate the exhaust valve stems.

The amount of engine oil consumed depends on the viscosity of the oil, the quality of the oil and the conditions the vehicle is driven under.

More oil is consumed by high-speed driving and frequent acceleration and deceleration.

A new engine consumes more oil, since its pistons, piston rings and cylinder walls have not become conditioned.

Oil consumption: Max. 1.0 L per 1000 km (1.1 qt./600 miles, 0.9 Imp. qt./600 miles)

When judging the amount of oil consumption, note that the oil may become diluted and make it difficult to judge the true level accurately.

As an example, if a vehicle is used for repeated short trips, and consumes a normal amount of oil, the dipstick may not show any drop in the oil level at all, even after 1000 km (600 miles) or more. This is because the oil is gradually becoming diluted with fuel or moisture, making it appear that the oil level has not changed.

The diluting ingredients evaporate out when the vehicle is then driven at high speeds, as on an expressway, making it appear that oil is excessively consumed after driving at high speeds.

IMPORTANCE OF ENGINE OIL LEVEL CHECK

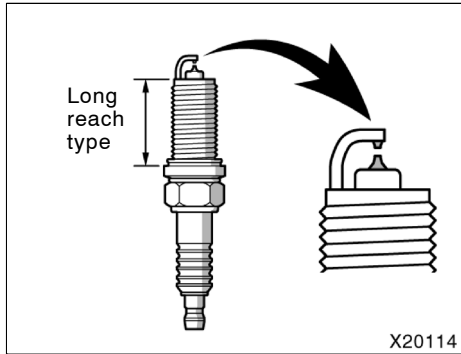
One of the most important points in proper vehicle maintenance is to keep the engine oil at the optimum level so that oil function will not be impaired. Therefore, it is essential that the oil level be checked regularly. Toyota recommends that the oil level be checked every time you refuel the vehicle.

NOTICE

Failure to check the oil level regularly could lead to serious engine trouble due to insufficient oil.

For detailed information on oil level check, see "Checking the engine oil level" on page 510 in Section 7-2.

Long reach iridium-tipped spark plugs (3ZR-FAE engine)

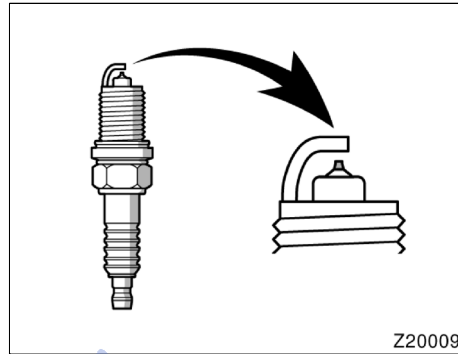


Your engine is fitted with long reach iridium-tipped spark plugs.

NOTICE
<ul style="list-style-type: none"> ◆ Use only long reach iridium-tipped spark plugs. ◆ Do not adjust gaps for engine performance or smooth driveability.

For details about the spark plug type, see "Service specifications" on page 550 in Section 8.

Iridium-tipped spark plugs (1AZ-FE engine)



Your engine is fitted with iridium-tipped spark plugs.

NOTICE
<ul style="list-style-type: none"> ◆ Use only iridium-tipped spark plugs. ◆ Do not adjust gaps for engine performance or smooth driveability.

For details about the spark plug type, see "Service specifications" on page 550 in Section 8.

Brake system

The tandem master cylinder brake system is a hydraulic system with two separate sub-systems. If either sub-system should fail, the other will still work. However, the pedal will be harder to press, and your stopping distance will increase. Also, the brake system warning light may come on.

CAUTION

Do not drive your vehicle with only a single brake system. Have your brakes fixed immediately.

BRAKE BOOSTER

The brake booster uses engine vacuum to power-assist the brakes. If the engine should quit while you are driving, you can bring the vehicle to a stop with normal pedal pressure. There is enough reserved vacuum for one or two stops—but no more!

CAUTION

- **Do not pump the brake pedal if the engine stalls. Each push on the pedal uses up your reserved vacuum.**
- **Even if the power assist is completely lost, the brakes will still work. But you will have to push the pedal hard, much harder than normal. And your braking distance will increase.**

ANTI-LOCK BRAKE SYSTEM

The anti-lock brake system is designed to help prevent lock-up of the wheels during a sudden braking or braking on slippery road surfaces. This assists in providing directional stability and steering performance of the vehicle under these circumstances.

Effective way to press the ABS brake pedal: When the anti-lock brake system function is in action, you may feel the brake pedal pulsating and hear a noise. In this situation, to let the anti-lock brake system work for you, just hold the brake pedal down more firmly. Do not pump the brake in a panic stop. This will result in reduced braking performance.

The anti-lock brake system becomes operative after the vehicle has accelerated to a speed in excess of approximately 10 km/h (6 mph). It stops operating when the vehicle decelerates to a speed below approximately 5 km/h (3 mph).

Depressing the brake pedal on slippery road surfaces such as on a manhole cover, a steel plate at a construction site, joints in a bridge, etc. on a rainy day tends to activate the anti-lock brake system.

A sound may be heard from the engine compartment for a few seconds when the engine is started or just after the vehicle begins to move. This means that the anti-lock brake system is in the self-check mode. This sound does not indicate a malfunction.

When the anti-lock brake system is activated, the following conditions may occur. They do not indicate a malfunction of the system:

- You may hear the anti-lock brake system operating and feel the brake pedal pulsating and the vibrations of the vehicle body and steering wheel. You may also hear the motor sound in the engine compartment even after the vehicle is stopped.
- At the end of the anti-lock brake system activation, the brake pedal may move a little forward.

**CAUTION**

Do not overestimate the anti-lock brake system: Although the anti-lock brake system assists in providing vehicle control, it is still important to drive with all due care and maintain a moderate speed and safe distance from the vehicle in front of you, because there are limits to the vehicle stability and effectiveness of steering wheel operation even with the anti-lock brake system on.

If tire grip performance exceeds its capability, or if hydroplaning occurs during high speed driving in the rain, the anti-lock brake system does not provide vehicle control.

Anti-lock brake system is not designed to shorten the stopping distance: Always drive at a moderate speed and maintain a safe distance from the vehicle in front of you. Compared with vehicles without an anti-lock brake system, your vehicle may require a longer stopping distance in the following cases:

- Driving on rough, gravel or snow-covered roads.
- Driving with tire chains installed.

- Driving over the steps such as the joints on the road.

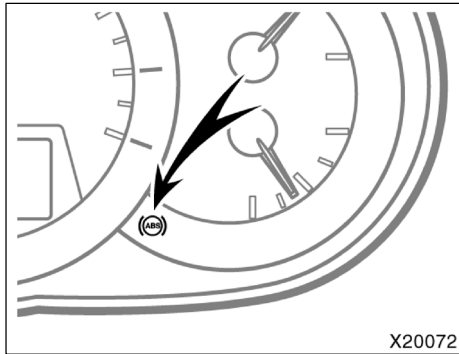
- Driving on roads where the road surface is pitted or has other differences in surface height.

Install all 4 tires of specified size at appropriate pressure: The anti-lock brake system detects vehicle speeds using the speed sensors for respective wheels' turning speeds. The use of tires other than specified may fail to detect the accurate turning speed resulting in a longer stopping distance.

امداد خود

تلفن شبانه روزی: ۰۸۵+۲

SOS.com



X20072

“ABS” warning light

Vehicles without VSC+ system—

Vehicles without smart entry and start system—The light comes on when the engine switch is set at the “ON” position. If the anti-lock brake system works properly, the light turns off after a few seconds. Thereafter, if the system malfunctions, the light comes on again.

Vehicles with smart entry and start system—The light comes on when the “ENGINE START STOP” switch is set at IGNITION ON mode. If the anti-lock brake system works properly, the light turns off after a few seconds. Thereafter, if the system malfunctions, the light comes on again.

When the “ABS” warning light is on (and the brake system warning light is off), the anti-lock brake system does not operate, but the brake system still operates conventionally.

When the “ABS” warning light is on (and the brake system warning light is off), the anti-lock brake system does not operate so that the wheels could lock up during a sudden braking or braking on slippery road surfaces.

If the “ABS” warning light comes on, “Check ABS system” appears on the multi-information display. Depending on the conditions a warning tone may sound.

If either of the following conditions occurs, this indicates a malfunction somewhere in the components monitored by the warning light system. Contact any authorized Toyota dealer or repairer, or another duly qualified and equipped professional, as soon as possible to service the vehicle.

- Vehicles without smart entry and start system—The light does not come on when the engine switch is set at the “ON” position, or remains on.

Vehicles with smart entry and start system—The light does not come on when the “ENGINE START STOP” switch is set at IGNITION ON mode, or remains on.

- The light comes on while you are driving.

A warning light turning on briefly during operation does not indicate a problem.



CAUTION

If the “ABS” warning light remains on together with the brake system warning light, immediately stop your vehicle at a safe place and contact any authorized Toyota dealer or repairer, or another duly qualified and equipped professional.

In this case, not only the anti-lock brake system will fail but also the vehicle will become extremely unstable during braking.

Vehicles with VSC+ system—

Vehicles without smart entry and start system—The light comes on when the engine switch is set at the “ON” position. If the anti-lock brake system and the brake assist system work properly, the light turns off after a few seconds. Thereafter, if the system malfunctions, the light comes on again.

Vehicles with smart entry and start system—The light comes on when the “ENGINE START STOP” switch is set at IGNITION ON mode. If the anti-lock brake system and the brake assist system work properly, the light turns off after a few seconds. Thereafter, if the system malfunctions, the light comes on again.

When the “ABS” warning light is on (and the brake system warning light is off), the following systems do not operate, but the brake system still operates conventionally.

- Anti-lock brake system
- Brake assist system
- Traction control system
- “AUTO LSD” function
- VSC+ system
- Downhill assist control system
- Hill-start assist control system

When the “ABS” warning light is on (and the brake system warning light is off), the anti-lock brake system does not operate so that the wheels could lock up during a sudden braking or braking on slippery road surfaces.

If the “ABS” warning light comes on, “Check ABS system” appears on the multi-information display. Depending on the conditions a warning tone may sound.

If either of the following conditions occurs, this indicates a malfunction somewhere in the components monitored by the warning light. Contact any authorized Toyota dealer or repairer, or another duly qualified and equipped professional, as soon as possible to service the vehicle.

- Vehicles without smart entry and start system—The light does not come on when the engine switch is set at the “ON” position, or remains on.

Vehicles with smart entry and start system—The light does not come on when the “ENGINE START STOP” switch is set at IGNITION ON mode, or remains on.

- The light comes on while you are driving.

A warning light turning on briefly during operation does not indicate a problem.

 **CAUTION**

If the “ABS” warning light remains on together with the brake system warning light, immediately stop your vehicle at a safe place and contact any authorized Toyota dealer or repairer, or another duly qualified and equipped professional.

In this case, not only the anti-lock brake system will fail but also the vehicle will become extremely unstable during braking.

DRUM-IN-DISC TYPE PARKING BRAKE SYSTEM

Your vehicle has a drum-in-disc type parking brake system. This type of brake system needs bedding-down of the brake shoes periodically or whenever the parking brake shoes and/or drums are replaced.

Have any authorized Toyota dealer or repairer, or another duly qualified and equipped professional, perform the bedding-down.

BRAKE ASSIST SYSTEM

When you slam the brakes on, the brake assist system judges as an emergency stop and provides more powerful braking for a driver who cannot hold down the brake pedal firmly.

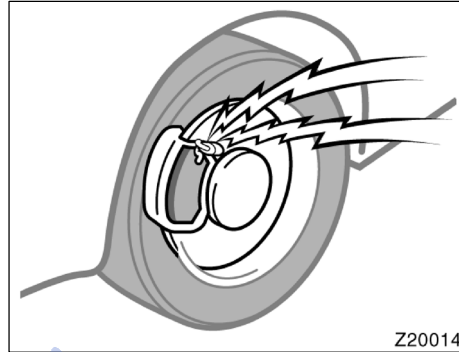
When you slam the brakes on, more powerful braking will be applied. At this time, you may hear a sound in the engine compartment and feel the vibrations of the brake pedal. This does not indicate a malfunction.

Vehicles with VSC+ system—

The brake assist system becomes operative after the vehicle has accelerated to a speed in excess of approximately 10 km/h (6 mph). It stops operating when the vehicle decelerates to a speed below approximately 5 km/h (3 mph).

For an explanation of this system's warning light, see "Service reminder indicators and warning buzzers" on page 220 in Section 1-6.

Brake pad wear indicators



Z20014

The brake pad wear indicators on your disc brakes give a warning noise when the brake pads are worn to where replacement is required.

If you hear a squealing or scraping noise while driving, have the brake pads checked and replaced by your nearest authorized Toyota dealer or repairer, or another duly qualified and equipped professional, immediately.

Avoid continuous driving with the warning noise.

Continuous driving without replacing the brake pads will cause expensive rotor damage and increasing brake pedal effort to get the same stopping distance.

Electric power steering system

The electric power steering system, using an electric motor, assists the turning of the steering wheel.

In the following cases, you may feel the steering becomes heavy. However, the electric power steering system warning light does not come on. (Because it is not a malfunction.)

- When maneuvering or turning frequently over a long time

Vehicles without smart entry and start system—The power steering effect will be reduced to prevent the system from overheating. Avoid turning the steering wheel, or stop the vehicle and set the engine switch at the “ACC” position or off. The system will become cool in about 10 minutes.

Vehicles with smart entry and start system—The power steering effect will be reduced to prevent the system from overheating. Avoid turning the steering wheel, or stop the vehicle and set the “ENGINE START STOP” switch at ACCESSORY mode or off. The system will become cool in about 10 minutes.

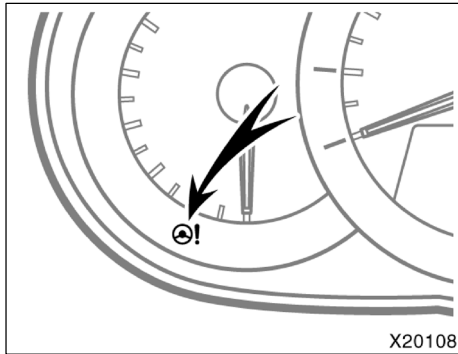
INFORMATION

When the steering wheel is turned, a motor operating sound (whining sound) may be heard. This occurs when the power steering motor works and is not defective.

NOTICE

Frequent maneuvering and turning over a long time may cause damage to the system in which the mechanism prevents overheating of the electric power steering system.

- When the battery is discharged
Check the battery’s condition. If necessary, recharge or replace the battery. For details, see “Checking battery condition” on page 526 in Section 7-3.



X20108

Electric power steering system warning light

Vehicles without smart entry and start system—The light comes on when the engine switch is in the “ON” position. If the electric power steering system works properly, the light turns off after the engine is started, or after a few seconds. If the system has malfunctions, the light comes on again.

Vehicles with smart entry and start system—The light comes on when the “ENGINE START STOP” switch is in IGNITION ON mode. If the electric power steering system works properly, the light turns off after the engine is started, or after a few seconds. If the system has malfunctions, the light comes on again.

If the following conditions occur, this indicates a malfunction somewhere in the components monitored by the warning light system. Contact any authorized Toyota dealer or repairer, or another duly qualified and equipped professional, as soon as possible to service the vehicle.

- Vehicles without smart entry and start system—The light does not come on when the engine switch is set at the “ON” position or remains on.
- Vehicles with smart entry and start system—The light does not come on when the “ENGINE START STOP” switch is set at IGNITION ON mode or remains on.
- The light stays on while you are driving.



CAUTION

If the electric power steering system warning light comes on, take your vehicle to any authorized Toyota dealer or repairer, or another duly qualified and equipped professional, as soon as possible. In this case, more effort is required for the steering wheel to turn than usual. Drive your vehicle while firmly gripping the steering wheel.

Luggage stowage precautions

When stowing cargo and luggage in the vehicle, observe the following:

- Put cargo and luggage in the luggage compartment when at all possible. Be sure all items are secured in place.
- Be careful to keep the vehicle balanced. Locating the weight as far forward as possible helps maintain balance.
- For better fuel economy, do not carry unneeded weight.

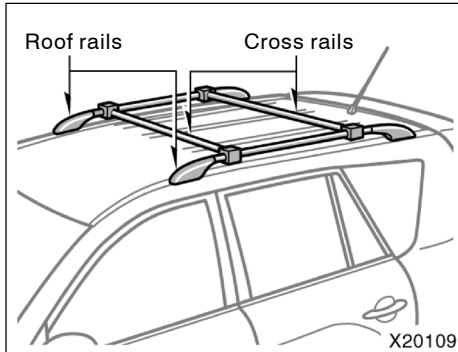


CAUTION

- To prevent cargo and luggage from sliding forward during braking, do not stack anything in the luggage compartment higher than the seatbacks. Keep cargo and luggage low, as close to the floor as possible.
- Never allow anyone to ride in the luggage compartment. It is not designed for passengers. They should ride in their seats with their seat belts properly fastened. Otherwise, they are much more likely to suffer death or serious bodily injury, in the event of sudden braking or a collision.
- Do not place anything on the flattened seat, or it may slide forward during braking.
- Do not place anything on the luggage cover at the upper position. Such items may be thrown about and possibly injure people in the vehicle during sudden braking or an accident. Secure all items in a safe place.

- To prevent cargo and luggage from sliding forward during braking, do not place anything on the net higher than the rear seatbacks. Otherwise, such items may be thrown about and possibly injure people in the vehicle during sudden braking or an accident.
- Do not drive with objects left on top of the instrument panel. They may interfere with the driver's field of view. Or they may move during sharp vehicle acceleration or turning, and impair the driver's control of the vehicle. In an accident they may injure the vehicle occupants.

Roof luggage carrier precautions



- If driving for a long distance, on rough roads, or at high speeds, stop the vehicle now and then during the trip to make sure the cargo remains in its place.
- Do not exceed 46.2 kg (102.6 lb.) cargo weight on the roof rails or roof rails that have cross rails installed. However, if the allowable cargo weight of the cross rails is under 46.2 kg (102.6 lb.) observe the load limit and other instructions for the cross rails.

To use the roof rails as a roof luggage carrier, you must fit the roof rails with two or more genuine Toyota cross rails or their equivalent.

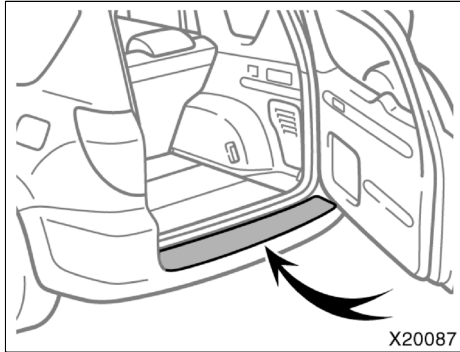
Follow the manufacturer's instructions and precautions when installing the cross rails or their equivalent.

CAUTION

When you load cargo on the roof luggage carrier, observe the following:

- Place the cargo so that its weight is distributed evenly between the front and rear axles.
- If loading long or wide cargo, never exceed the vehicle overall length or width. (See "Dimensions" on page 548 in Section 8 for information on your vehicle overall length and width.)
- Before driving, make sure the cargo is securely fastened on the roof luggage carrier.
- Avoid sudden starts, sharp turns or sudden braking.

Rear step bumper



X20087

The rear step bumper is for rear end protection and easier step-up loading.

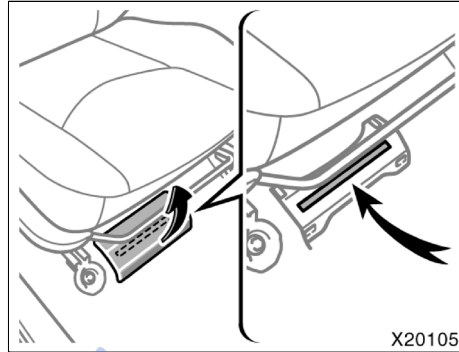
To get on the rear step bumper, use the shaded area between the arrows in the illustration.



CAUTION

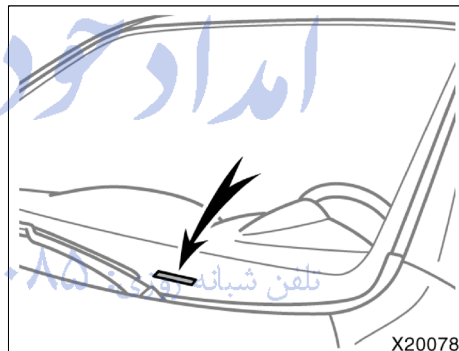
- Do not allow more than one person to get on the rear step bumper at a time. It is designed for only one person.
- Never drive the vehicle with anyone on the rear step bumper.

Your Toyota's identification— —Vehicle identification number



X20105

Under the right front seat



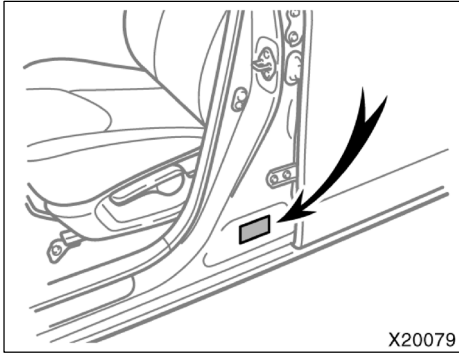
X20078

Top left of the instrument panel

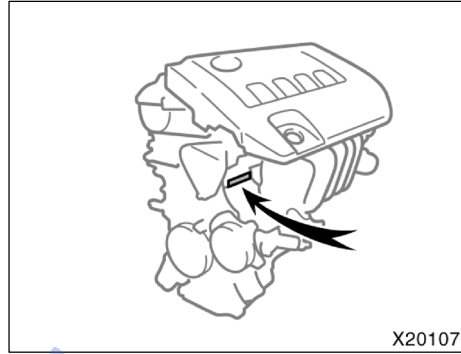
The vehicle identification number (VIN) is the legal identifier for your vehicle. This number is stamped under the right front seat. On some models, the number is also shown on the top left of the instrument panel where it can be seen through the windshield from the outside.

This is the primary identification number for your Toyota. It is used in registering the ownership of your vehicle.

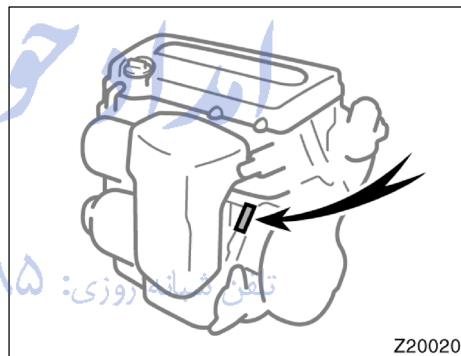
—Engine number



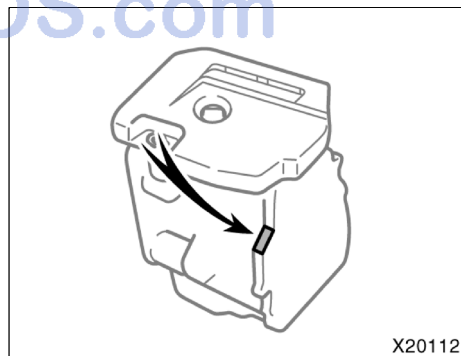
The vehicle identification number (VIN) is also on the manufacturer's label.



3ZR-FAE engine



1AZ-FE engine



2AD-FTV and 2AD-FHV engines

ایراد خودرو فارما
تلفن مشاوره روزی: ۰۲۱-۸۸۶۲۰۸۵
FarmaSOS.com

The engine number is stamped on the engine block as shown.

Theft prevention labels (right-hand drive vehicles)

Your new vehicle carries theft prevention labels which are approximately 47 mm (1.85 in.) by 12 mm (0.47 in.).

The purpose of these labels is to reduce the incidence of vehicle thefts by facilitating the tracing and recovery of parts from stolen vehicles. The label is designed so that once it is applied to a surface, any attempt to remove it will result in destroying the integrity of the label. Transferring these labels intact from one part to another, will be impossible.

NOTICE

You should not attempt to remove the theft prevention labels as it may violate certain state or federal laws.

تلفن شبانه روزی: ۰۲۱-۸۸۸۶۲۰۸۵

FarmaSOS.com

Suspension and chassis **CAUTION**

Do not modify the suspension/chassis with lift kits, spacers, springs, etc. It can cause dangerous handling characteristics, resulting in loss of control.

امداد خودرو فارما

تلفن شبانه روزی: ۰۲۱-۸۸۸۶۲۰۸۵

FarmaSOS.com

امداد خودرو فارما

تلفن شبانه روزی: ۰۲۱-۸۸۸۶۲۰۸۵

FarmaSOS.com

Section 3

STARTING AND DRIVING

- Before starting the engine 410
- How to start the engine 410
- Driving and parking using smart entry and start system 415
- Precautions for turning off an engine with turbocharger 419
- Pre-trip safety check 419
- Tips for driving in various conditions 421
- Driving in the rain 422
- Off-road driving precautions 423
- Winter driving tips 424
- Trailer towing 425
- How to save fuel and make your vehicle last longer 432

تلفن شبانه روزی: ۰۲۱-۸۸۶۲۰۸۵

FarmaSOS.com

Before starting the engine

1. Check the area around the vehicle before entering it.
2. Adjust seat position, seatback angle, seat cushion height, head restraint height, steering wheel angle and steering column length.
3. Adjust the inside and outside rear view mirrors.
4. Close all doors.
5. Fasten seat belts.

**How to start the engine—
—Cranking hold function****With smart entry and start system only—**

Once you press the “ENGINE START STOP” switch and release it, the cranking hold function continues to crank the engine until it starts.

The function stops cranking the engine after about 25 seconds maximum if the engine has not started yet. When you crank the engine again, wait a few seconds and restart it.

If you press and hold the “ENGINE START STOP” switch, the function will keep cranking for about 30 seconds maximum.

امداد خودرو فارما

تلفن شبانه روزی: ۰۲۱-۸۸۸۶۲۰۸۵

FarmaSOS.com

(a) Before cranking

1. Apply the parking brake firmly.
2. Turn off unnecessary lights and accessories.
3. **Manual transmission:** Press the clutch pedal to the floor and shift the transmission into neutral. Hold the clutch pedal to the floor until the engine is started.

Automatic transmission or Multi-drive: Put the shift lever in "P". If you need to restart the engine while the vehicle is moving, put the shift lever in "N". A starter safety device will prevent the starter from operating if the shift lever is in any drive position.

4. **Automatic transmission and Multi-drive only:** Depress the brake pedal and hold it to the floor until driving off.

**(b) Starting the engine
(without smart entry and
start system)**

Before starting the engine, be sure to follow the instructions in "(a) Before cranking".

**Normal starting procedure
(gasoline engine)**

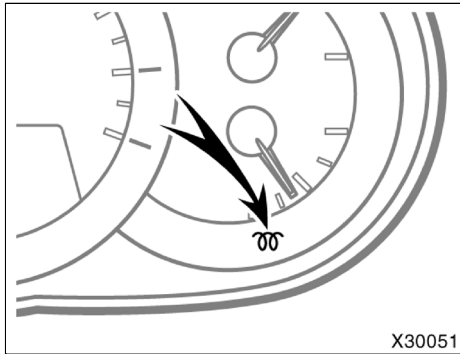
The multiport fuel injection system/sequential multiport fuel injection system in your engine automatically controls the proper air-fuel mixture for starting. You can start a cold or hot engine as follows:

With your foot off the accelerator pedal, crank the engine by turning the engine switch to "START" position. Release it when the engine starts.

Engine should be warmed up by driving, not in idle. For warming up, drive with smoothly turning engine until engine coolant temperature is within normal range.

تلفن شبانه روزی: ۰۲۱-۸۸۸۶۲۰۸۵

FarmaSOS.com



X30051

Engine preheating indicator light

**Normal starting procedure
(diesel engine)**

1. Turn the engine switch to the "ON" position and verify that the engine preheating indicator light has come on. Keep the engine switch in the "ON" position until the light goes off.
2. With your foot off the accelerator pedal, crank the engine by turning the engine switch to "START" position. Release it when the engine starts.

Engine should be warmed up by driving, not in idle. For warming up, drive with smoothly turning engine until engine coolant temperature is within normal range.

If the engine stalls...

Simply restart it, using the correct procedure given in normal starting.

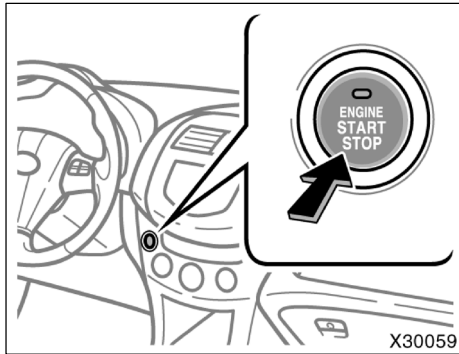
If the engine will not start...

See "If your vehicle will not start" on page 436 in Section 4.

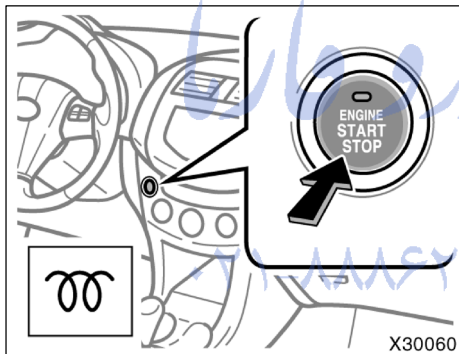
NOTICE

- ◆ Do not crank for more than 30 seconds at a time. This may overheat the starter and wiring systems.
- ◆ Do not race a cold engine.
- ◆ If the engine becomes difficult to start or stalls frequently, have the engine checked immediately.

**(b) Starting the engine
(with smart entry and start
system)**



Gasoline engine



Diesel engine

PUSH BUTTON START FUNCTION

The engine can be started by pressing the “ENGINE START STOP” switch.

Before starting the engine, be sure to follow the instructions in “(a) Before cranking”.

Normal starting procedure

Gasoline engine—The multiport fuel injection system/sequential multiport fuel injection system in your engine automatically controls the proper air–fuel mixture for starting.

You can start a cold or hot engine as follows:

Automatic transmission or Multidrive models:

When the key is in the vehicle (on your person), it is possible to start the engine.

1. Check that shift lever is in the “P” position.
2. Depress the brake pedal firmly. (The indicator light on the “ENGINE START STOP” switch will turn green.)
3. Press the “ENGINE START STOP” switch slowly and firmly. (When starting the engine, continue depressing the brake pedal until the engine is started.)

If the “ENGINE START STOP” switch indicator light does not turn green, the engine cannot be started.

Manual transmission models:

When the key is in the vehicle (on your person), it is possible to start the engine.

1. Depress the clutch pedal firmly. (The indicator light on the “ENGINE START STOP” switch will turn green.)
2. Press the “ENGINE START STOP” switch slowly and firmly. (When starting the engine, continue depressing the clutch pedal until the engine is started.)

If the “ENGINE START STOP” switch indicator light does not turn green, the engine cannot be started.

Diesel engine—If the engine does not start immediately after the “ENGINE START STOP” switch is pressed, the engine is being preheating. The engine preheating indicator also comes on. The engine will automatically be started when engine preheating is finished, and the preheating indicator will go off.

Engine should be warmed up by driving, not in idle. For warming up, drive with smoothly turning engine until engine coolant temperature is within normal range.

If the engine stalls...

Simply restart it, using the correct procedure given in normal starting.

If the engine will not start...

In the following cases, the engine will not start.

- If a buzzer sounds from the vehicle, and the “No key detected” message appears on the multi-information display when pressing the “ENGINE START STOP” switch, this indicates that the key is not in the vehicle.
- There are instances in which the engine will not start, even if the key is in the vehicle (e.g. on the floor, in the cup holder or glove box).

When the push button start function does not operate properly, the following may be causes:

- The communication between the electronic key and vehicle is interrupted or the electronic key battery is discharged. (For information on example situations where the communication is interrupted, see “CONDITIONS AFFECTING OPERATION” on page 51 in Section 1-2.)

You can start the engine by touching the Toyota logo side of the electronic key to the “ENGINE START STOP” switch. (For details, see “STARTING THE ENGINE WHEN THE ELECTRONIC KEY DOES NOT OPERATE PROPERLY” on page 52 in Section 1-2.)

If the electronic key battery is discharged, replace the battery as soon as possible. (See “—Replacing battery” on page 40 in Section 1-2.)

- The engine was repeatedly turned on and off over a short period. Wait 10 seconds and then start the engine.
- If the green indicator light on the “ENGINE START STOP” switch flashes, and the “Steering still locked” message appears on the multi-information display, the steering wheel is locked. To free it, rotate the steering wheel slightly while pressing the “ENGINE START STOP” switch.
- If the amber indicator light on the “ENGINE START STOP” switch flashes, and the “Check steering lock” message appears on the multi-information display, there is a problem in the steering lock function.

Contact any authorized Toyota dealer or repairer, or another duly qualified and equipped professional, and have your vehicle and all keys inspected.

- If the amber indicator light on the “ENGINE START STOP” switch flashes, and no message appears on the multi-information display, there is a problem in the push button start function.

Contact any authorized Toyota dealer or repairer, or another duly qualified and equipped professional, and have your vehicle and all keys inspected.

- In addition to the above, there are instances in which the smart entry and start system does not operate properly because of the circumstances of use. For details, see “Smart entry and start system” on page 48 in Section 1-2.

In cases other than those described above, it is possible that a problem has occurred in an area other than the start system. See “If your vehicle will not start” on page 436 in Section 4.

When the battery is disconnected or run down, the push button start function memorizes the current mode. After you reconnect, replace, or recharge the battery, the memorized mode is selected automatically. In any of these cases, turn off the engine if the engine comes on.

Wait 10 seconds to start the engine after the battery has been reconnected. The engine may not start on the first try. This does not indicate a malfunction.

NOTICE

- ◆ ***Do not race a cold engine.***
- ◆ ***If the engine becomes difficult to start or stalls frequently, have the engine checked immediately.***

Driving and parking using smart entry and start system

TIPS FOR USING SMART ENTRY AND START SYSTEM

When using the smart entry and start system, it is possible to start or stop the engine as long as the key is on your person.

For this reason, it is possible that a passenger may remove the key from the vehicle without the driver being aware of the fact. In such a case, it is not possible to restart the engine after having turned it off. In addition, it is possible that one may get out of the vehicle without being aware that the “ENGINE START STOP” switch has not been turned off completely.

When driving or getting in or out of the vehicle, drivers should make sure that they are carrying the key.



CAUTION

Do not touch the “ENGINE START STOP” switch while driving.

If you have to make an emergency stop, press and hold the “ENGINE START STOP” switch for more than 3 seconds.

SYSTEM FUNCTION REMINDERS

Follow the instructions described below if any of the following warnings occur:

(A) A warning buzzer sounds once from the instrument cluster when the “ENGINE START STOP” switch is turned on

This indicates that the driver has gotten into the vehicle without the key. The “No key detected” message will also appear on the multi-information display.

Operate the “ENGINE START STOP” switch only after taking care that the key is in the vehicle.

If the warning light is still lit when the key is in the vehicle, the key battery is discharged. Check the indicator light on the key comes on by pushing the lock button on the key. When the indicator light does not come on, change the key battery so that smart entry and start system properly.

(B) A warning buzzer sounds once from the instrument cluster, accompanied by three warning sounds from the vehicle when the driver gets out of the vehicle and closes the door

For automatic transmission and Multidrive only—

This indicates that the driver is attempting to leave the vehicle carrying the key with the “ENGINE START STOP” switch is not set at OFF although the shift lever has been set in the “P” position. The “No key detected” message will also appears on the multi-information display.

Get out of the vehicle only after turning off the engine by pressing the “ENGINE START STOP” switch and checking that the “ENGINE START STOP” switch indicator light has gone off. If the driver returns to the vehicle without carrying the key and begins driving, a warning buzzer will sound once more.

(C) A warning buzzer sounds from the vehicle for two seconds after locking the door with the door handle switch

This indicates that the driver is attempting to lock the doors while carrying the key, neglecting to follow the instructions for case (B) above.

Lock the doors only after turning off the engine by pressing the “ENGINE START STOP” switch and checking that the “ENGINE START STOP” switch indicator light has gone off.

A warning buzzer that sounds even though the engine has been turned off indicates that driver is attempting to lock the vehicle with the keys still in the vehicle.

Leave the vehicle only after making sure that you are carrying the key.

(D) A warning buzzer sounds continuously from the instrument cluster when opening the driver's door

For automatic transmission and Multidrive only—

This indicates that the shift lever is in a position other than “P” and that the “ENGINE START STOP” switch is not set at OFF. The “Shift to P range” message will also appear on the multi-information display.

Get out of the vehicle only after setting the shift lever in the “P” position, turning off the engine by pressing the “ENGINE START STOP” switch and checking that the “ENGINE START STOP” switch indicator light has gone off.

(E) A warning buzzer sounds continuously from the instrument cluster and from the vehicle when closing the door after getting out of the vehicle

For automatic transmission and Multidrive only—

This indicates that the driver is attempting to leave the vehicle carrying the key, neglecting to follow the instructions for case (D) above. The messages, “Shift to P range” and “No key detected”, will also appear alternately on the multi-information display.

Get out of the vehicle only after setting the shift lever in the “P” position, turning off the engine by pressing the “ENGINE START STOP” switch and checking that the “ENGINE START STOP” switch indicator light has gone off.

(F) A warning buzzer sounds once from the instrument cluster and three times from the vehicle when a passenger is getting out of the vehicle

This indicates that the passenger is attempting to leave the vehicle carrying the key, without the “ENGINE START STOP” switch set at OFF. The “No key detected” message will also appear on the multi-information display.

When passengers get out of the vehicle, care should be taken to leave the key with the driver. If the driver begins driving after a passenger gets out of the vehicle carrying the key, a warning buzzer will sound once more.

(G) A warning buzzer sounds from the vehicle for two seconds when locking the vehicle from the outside with the door handle switch

This indicates that the driver is attempting to lock the door with the key still in the vehicle.

Leave the vehicle only after making sure that you are carrying the key.

(H) A warning buzzer sounds once from the instrument cluster when turning off the “ENGINE START STOP” switch

This indicates that the key battery is low. (This warning buzzer sounds only when the engine has been on or the “ENGINE START STOP” switch has been set at IGNITION ON mode for 20 minutes or more.) The “Low key battery” message will also appear on the multi-information display.

Change the key battery ahead of time in order to ensure that the smart entry and start system properly.

(I) A warning buzzer beeps repeatedly from the instrument cluster when opening the driver's door

This indicates that the "ENGINE START STOP" switch is not set at OFF.

Get out of the vehicle only after turning off the engine by pressing the "ENGINE START STOP" switch and checking that the "ENGINE START STOP" switch indicator light has gone off.

(J) A warning buzzer sounds repeatedly from the instrument cluster when opening the driver's door with the "ENGINE START STOP" switch turned off

This indicates that the steering wheel is not locked. Turn the engine off and then open the door in order to lock the steering wheel.

(K) The "ENGINE START STOP" switch flashes green once every second

When "Steering still locked" is displayed on the multi-information display—

This indicates that the steering lock is stuck. To free it, rotate the steering wheel slightly while pressing the "ENGINE START STOP" switch.

When no message is displayed on the multi-information display (for manual transmission only)—

This indicates a problem with the clutch start system. Have your vehicle checked at any authorized Toyota dealer or repair, or another duly qualified equipped professional.

(L) The "ENGINE START STOP" switch flashes amber once every 2 seconds

When "Check steering lock" is displayed on the multi-information display—

This indicates a problem with the steering lock function. Have your vehicle checked at any authorized Toyota dealer or repairer, or another duly qualified and equipped professional.

When no message is displayed on the multi-information display—

This indicates a problem with the push button start function. Have your vehicle checked at any authorized Toyota dealer or repair, or another duly qualified equipped professional.

THEFT PREVENTION FUNCTION

- When the engine is turned off, the engine immobilizer system is automatically set. (See "Engine immobilizer system" on page 27 in Section 1-2.)
- When the driver's door is opened after turning off the engine, the steering wheel will lock.

When the vehicle's battery is discharged, the steering lock function may not operate properly.

Precautions for turning off an engine with turbocharger (diesel engine)

After high-speed or extended driving, etc., requiring a heavy engine load, the engine should be allowed to idle, as shown in the chart, before turning it off.

Driving condition and required idling time

Normal city driving
Idling time—Not necessary

High-speed driving
About 80 km/h (50 mph)
Idling time—About 20 seconds
About 100 km/h (63 mph)
Idling time—About 1 minute

Steep mountain slopes or continued driving above 100 km/h (63 mph)
Idling time—About 2 minute

NOTICE

Do not turn the engine off immediately after a heavy load has been placed on the engine in order to prevent engine damage.

Pre-trip safety check

It is a good idea to do a safety check before starting out on a trip. A few minutes of checking can help ensure safe and pleasant driving. Just a basic familiarity with your vehicle is required and a careful eye! Or, if you would like, any authorized Toyota dealer or repairer, or another duly qualified and equipped professional, will be pleased to make this check for you at a nominal cost.

CAUTION

If you make this check in an enclosed garage, make sure there is adequate ventilation. Engine exhaust is poisonous.

امداد خودرو فارسی
تلفن شبانه روزی: ۰۲۱-۸۸۸۶۲۰۸۵

FarmaSOS.com

BEFORE STARTING THE ENGINE**Outside the vehicle**

Tires (spare included). Check the pressure with a gauge and look carefully for cuts, damage, or excessive wear.

Wheel nuts. Make sure no nuts are missing or loose.

Fluid leaks. After the vehicle has been parked for a while, check underneath for leaking fuel, oil, water, or fluid. (Water dripping from the air conditioning after use is normal.)

Lights. Make sure the headlights, stop lights, tail lights, turn signals and other lights are all working. Check the headlight aim.

Inside the vehicle

Jack and wheel nut wrench. Make sure you have your jack and wheel nut wrench.

Seat belts. Check that the buckles lock securely. Make sure the belts are not worn or frayed.

Instruments and controls. Especially make sure the service reminder indicators, instrument lights, and defroster are working.

Brakes. Make sure the pedal has enough clearance.

In the engine compartment

Spare fuses. Make sure you have spare fuses. They should cover all the amperage ratings designated on the fuse box lid.

Coolant level. Make sure the coolant level is correct. (See page 516 in Section 7-2 for instructions.)

Battery and cables. Check the battery condition by the indicator color. Look for corroded or loose terminals and a cracked case. Check the cables for good condition and connections.

Wiring. Look for damaged, loose, or disconnected wires.

Fuel lines. Check the lines for leaks or loose connections.

AFTER STARTING THE ENGINE

Exhaust system. Listen for any leakage. Have any leaks fixed immediately. (See "Engine exhaust cautions" on page 392 in Section 2.)

Engine oil level. Stop the engine and check the dipstick with the vehicle parked on a level spot. (See page 510 in Section 7-2 for instructions.)

WHILE DRIVING

Instruments. Make sure the speedometer and gauges are working.

Brakes. In a safe place, check that the brakes do not pull to one side when applied.

Anything unusual? Look for loose parts and leaks. Listen for abnormal noises.

If everything looks O.K., set your mind at ease and enjoy your trip!

Tips for driving in various conditions

- Always slow down in gusty crosswinds. This will allow you much better control.
- Drive slowly onto curbs and, if possible, at a right angle. Avoid driving onto high, sharp-edged objects and other road hazards. Failure to do so can lead to severe tire such as a tire burst.
Drive slowly when passing over bumps or travelling on a bumpy road. Otherwise, the impact could cause severe damage to the tires and/or wheels.
- When parking on a hill, turn the front wheels until they touch the curb so that the vehicle will not roll. Apply the parking brake, and place the transmission in "P" (automatic transmission or Multidrive) or in first or reverse (manual transmission). If necessary, block the wheels.
- Washing your vehicle or driving through deep water may get the brakes wet. To see whether they are wet, check that there is no traffic near you, and then press the pedal lightly. If you do not feel a normal braking force, the brakes are probably wet. To dry them, drive the vehicle cautiously while lightly pressing the brake pedal with the parking brake applied. If they still do not work safely, pull to the side of the road and call any authorized Toyota dealer or repairer, or another duly qualified and equipped professional, for assistance.
- 2AD-FHV engine with automatic transmission only—
When driving up steep hills in high temperature conditions, engine output may be intentionally restrained on vehicles with the 2AD-FHV engine and automatic transmission to protect the engine and its components. Following may occur, but they do not indicate a malfunction:
 - You may experience a drop in speed.
 - Air conditioning system control may be changed. For example, the button to switch between outside air mode and recirculated air mode will be fixed in recirculated air mode.

 **CAUTION**

- Before driving off, make sure the parking brake is fully released and the parking brake reminder light is off.
- Do not leave your vehicle unattended while the engine is running.
- Do not rest your foot on the brake pedal while driving. It can cause dangerous overheating, needless wear, and poor fuel economy.
- To drive down a long or steep hill, reduce your speed and downshift. Remember, if you ride the brakes excessively, they may overheat and not work properly.
- Be careful when accelerating, upshifting, downshifting or braking on a slippery surface. Sudden acceleration or engine braking could cause the vehicle to skid or spin.
- Do not continue normal driving when the brakes are wet. If they are wet, your vehicle will require a longer stopping distance, and it may pull to one side when the brakes are applied. Also, the parking brake will not hold the vehicle securely.

NOTICE

- ◆ *Do not depress the accelerator and brake pedals at the same time during driving. If the brake pedal is depressed while driving with the accelerator pedal depressed, driving torque may be restrained.*
- ◆ *Do not use the accelerator pedal or depress the accelerator and brake pedals at the same time to hold the vehicle on a hill.*

Driving in the rain**Driving on a slippery road surface**

Drive carefully when it is raining, because visibility will be reduced, the windows may become fogged-up, and the road will be slippery.

- Drive carefully when it starts to rain, because the road surface will be especially slippery.
- Refrain from high speeds when driving on an expressway in the rain, because there may be a layer of water between the tires and the road surface, preventing the steering and brakes from operating properly.

 **CAUTION**

- Sudden braking, acceleration and steering when driving on a slippery road surface may cause tire slippage and reduce your ability to control the vehicle, resulting in an accident.
- Sudden changes in engine speed, such as sudden engine braking, may cause the vehicle to skid, resulting in an accident.
- After driving through a puddle, lightly depress the brake pedal to make sure that the brakes are functioning properly. Wet brake pads may prevent the brakes from functioning properly. If the brakes on only one side are wet and not functioning properly, steering control may be affected, resulting in an accident.

When encountering flooded roads

Do not drive on a road that has flooded after heavy rain etc. Doing so may cause serious damage to the vehicle.

NOTICE

Driving on a flooded road may cause the engine to stall as well as cause serious vehicle malfunctions such as shorts in electrical components and engine damage from water immersion. In the event that you drive on a flooded road and the vehicle is flooded, be sure to have any authorized Toyota dealer or repairer, or another duly qualified and equipped professional check brake function, changes in quantity and quality of oil and fluid used for the engine, trans-axle, transfer (four-wheel drive models), differential (four-wheel drive models), etc. and lubricant condition for the propeller shaft (four-wheel drive models), bearings and suspension joints (where possible) and the function of all joints and bearings.

Off-road driving precautions**⚠ CAUTION**

Always observe the following precautions to minimize the risk of death or serious personal injury or damage to your vehicle:

- Drive carefully when off the road. Do not take unnecessary risks by driving in dangerous places.
- Do not grip the steering wheel spokes when driving off-road. A bad bump could jerk the wheel and injure your hands. Keep both hands and especially your thumbs on the outside of the rim.
- Always check your brakes for effectiveness immediately after driving in sand, mud, water or snow.
- After driving through tall grass, mud, rock, sand, water, etc., check that there is no grass, bush, paper, rags, stone, sand, etc. adhering or trapped on the underbody. Clear off any such matter from the underbody. If the vehicle is used with these materials trapped or adhered to the underbody, a breakdown or fire could occur.
- In a rollover crash, an unbelted person is significantly more likely to die than a person wearing a seat belt. Therefore, the driver and all passengers should fasten their seat belts whenever the vehicle is moving.
- When driving off-road or in rugged terrain, do not drive at excessive speeds, jump, make sharp turns, strike objects, etc. This may cause loss of control or vehicle rollover causing death or serious injury. You are also risking expensive damage to your vehicle's suspension and chassis.

NOTICE

- ◆ *If driving through water, such as when crossing shallow streams, first check the depth of the water and the bottom of the water for firmness. Drive slowly and avoid deep water.*
- ◆ *Take all necessary safety measures to ensure that water damage to the engine or other components does not occur.*
Water entering the engine air intake will cause severe engine damage.
Water can wash the grease from wheel bearings, causing rusting and premature failure, and may also enter the differentials, transmission and transfer case, reducing the gear oil's lubricating qualities.
- ◆ *Sand and mud that has accumulated around brake discs may affect braking efficiency and may damage brake system components.*
- ◆ *Always perform a maintenance inspection after each day of off-road driving that has taken you through rough terrain, sand, mud, or water.*

Winter driving tips

Make sure your coolant is properly protected against freezing.

Only use "Toyota Super Long Life Coolant" or similar high quality ethylene glycol based non-silicate, non-amine, non-nitrite, and non-borate coolant with long-life hybrid organic acid technology. (Coolant with long-life hybrid organic acid technology is a combination of low phosphates and organic acids.)

See "Checking the engine coolant level" on page 516 in Section 7-2 for details of coolant type selection.

"Toyota Super Long Life Coolant" is a mixture of 50% coolant and 50% deionized water. This coolant provides protection down to about -35°C (-31°F).

NOTICE

Do not use plain water alone.

Check the condition of the battery and cables.

Cold temperatures reduce the capacity of any battery, so it must be in top shape to provide enough power for winter starting. Section 7-3 tells you how to visually inspect the battery. Any authorized Toyota dealer or repairer, or another duly qualified and equipped professional, will be pleased to check the level of charge.

Make sure the engine oil viscosity is suitable for the cold weather.

See page 511 in Section 7-2 for recommended viscosity. Leaving a heavy summer oil in your vehicle during winter months may cause harder starting. If you are not sure about which oil to use, call any authorized Toyota dealer or repairer, or another duly qualified and equipped professional—who will be pleased to help.

Keep the door locks from freezing.

Squirt lock de-icer or glycerine into the locks to keep them from freezing.

Use a washer fluid containing an anti-freeze solution.

This product is available at any authorized Toyota dealer or repairer and most auto parts stores or another qualified professional. Follow the manufacturer's directions for how much to mix with water.

NOTICE

Do not use engine antifreeze or any other substitute because it may damage your vehicle's paint.

Do not use your parking brake when there is a possibility it could freeze.

When parking, put the transmission into "P" (automatic transmission or Multidrive) or into first or reverse (manual transmission) and block the rear wheels. Do not use the parking brake, or snow or water accumulated in and around the parking brake mechanism may freeze, making it hard to release.

Keep ice and snow from accumulating under the fenders.

Ice and snow built up under your fenders can make steering difficult. During bad winter driving, stop and check under the fenders occasionally.

Depending on where you are driving, we recommend you carry some emergency equipment.

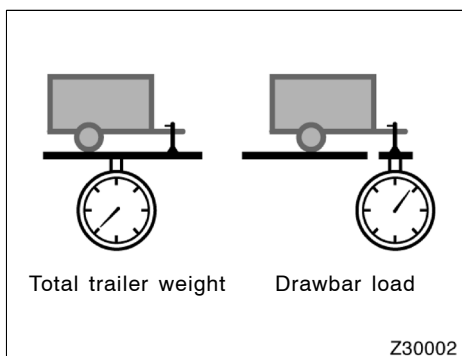
Some of the things you might put in the vehicle are tire chains, window scraper, bag of sand or salt, flares, small shovel, jumper cables, etc.

Trailer towing

Your vehicle is designed primarily as a passenger-carrying vehicle. Towing a trailer will have an adverse effect on handling, performance, braking, durability and driving economy (fuel consumption, etc.). Your safety and satisfaction depend on the proper use of correct equipment and cautious driving habits. For your safety and the safety of others, you must not overload your vehicle or trailer. Toyota warranties do not apply to damage or malfunction caused by towing a trailer for commercial purpose. Ask your local authorized Toyota dealer or repairer, or another duly qualified and equipped professional, for further details before towing, as there are additional legal requirements in some countries.

WEIGHT LIMITS

Before towing, confirm the towing capacity, gross vehicle mass (GVM), maximum permissible axle capacity (MPAC) and drawbar load. They are listed on page 549 in Section 8.



When towing a trailer, observe the following:

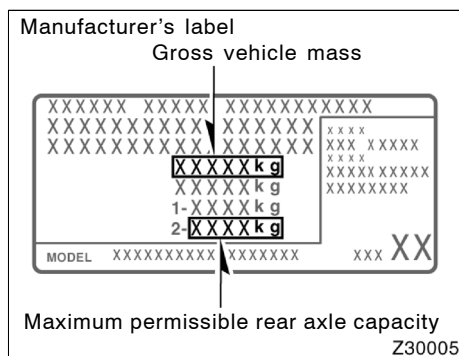
- The total trailer weight (trailer weight plus its cargo load) is within the towing capacity.
- When towing a trailer, use a friction coupler or friction stabilizer (sway control device).
- The trailer cargo load should be distributed so that the drawbar load is more than 25 kg (55.1 lb.) and more than 4% of the towing capacity. However, the drawbar load must not exceed the weight specified on page 549 in Section 8.

Vehicle category M1 models*—

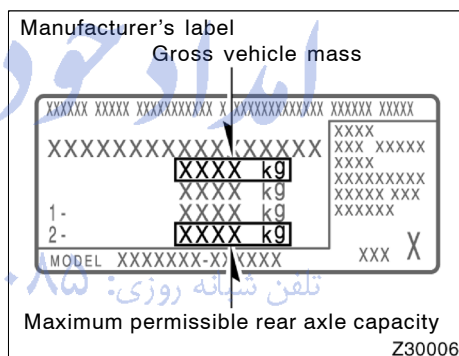
- The sum weight of the total curb mass, driver, passengers, luggage, towing hitch and drawbar load must not exceed gross vehicle mass by more than 100 kg (220.5 lb.).
- The load on the rear axle must not exceed the maximum permissible rear axle capacity by more than 15%.

Vehicle category N1 models*—

- The sum weight of the total curb mass, driver, passengers, cargo, towing hitch and drawbar load must not exceed gross vehicle mass.
- The load on the rear axle must not exceed the maximum permissible rear axle capacity.



Type A



Type B

Towing capacity has been tested at sea-level. If you have to go to a high mountain area, keep in mind that the engine power and towing capacity will decrease.

*: To distinguish the vehicle category, ask any authorized Toyota dealer or repairer, or another duly qualified and equipped professional.

 **CAUTION**

- The total trailer weight must not exceed the towing capacity specified on page 549 in Section 8. Exceeding this weight is dangerous.
- Trailer hitch assemblies have different weight capacities established by the hitch manufacturer. Even though the vehicle may be physically capable of towing a higher weight, the operator must determine the maximum weight rating of the particular hitch assembly and never exceed the maximum weight rating specified for the trailer-hitch. Exceeding the maximum weight rating set by the trailer hitch manufacturer can cause an accident resulting in serious personal injuries.

Vehicle category M1 models*—

- The sum weight of the total curb mass, driver, passengers, luggage, towing hitch and drawbar load must not exceed the gross vehicle mass by more than 100 kg (220.5 lb.). Exceeding this weight is dangerous. The gross vehicle mass is also listed on the manufacturer's label.
- The load on the rear axle must not exceed the maximum permissible rear axle capacity by more than 15%. Exceeding this weight is dangerous. The maximum permissible rear axle capacity is also listed on the manufacturer's label.
- If either the gross vehicle mass and/or maximum permissible rear axle capacity is exceeded, do not drive at a speed more than 100 km/h (62 mph) or the local legal maximum speed for trailer towing, whichever is lower.

Vehicle category N1 models*—

- The sum weight of the total curb mass, driver, passengers, cargo, towing hitch, and drawbar load must not exceed the gross vehicle mass. Exceeding this weight is dangerous.
- The load on the rear axle must not exceed the maximum permissible rear axle capacity. Exceeding this weight is dangerous.

*: To distinguish the vehicle category, ask any authorized Toyota dealer or repairer, or another duly qualified and equipped professional.

TOWING HITCH BRACKETS

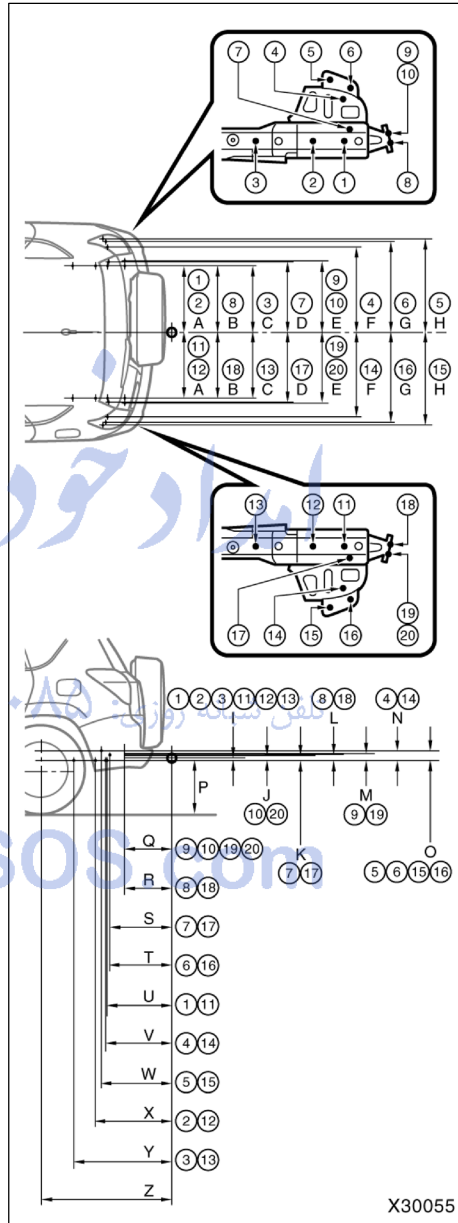
Toyota recommends using a Toyota genuine hitch and bracket. Another hitch and bracket of matching quality can also be used.

Installation positions for towing hitch brackets and towing hitch ball overhang:

Vehicles without over fender

mm (in.)

A	546 (21.5)
B	550 (21.7)
C	551 (21.7)
D	582 (23.0)
E	591 (23.3)
F	696 (27.4)
G	739 (29.1)
H	761 (30.0)
I	6 (0.2)
J	23 (0.9)
K	45 (1.8)
L	49 (1.9)
M	55 (2.2)
N	71 (2.8)
O	75 (3.0)
P	357 (14.1)
Q	387 (15.2)
R	388 (15.3)
S	502 (19.8)
T	504 (19.8)
U	523 (20.6)
V	530 (20.9)
W	571 (22.5)
X	619 (24.4)
Y	798 (31.4)
Z	1050 (41.3)

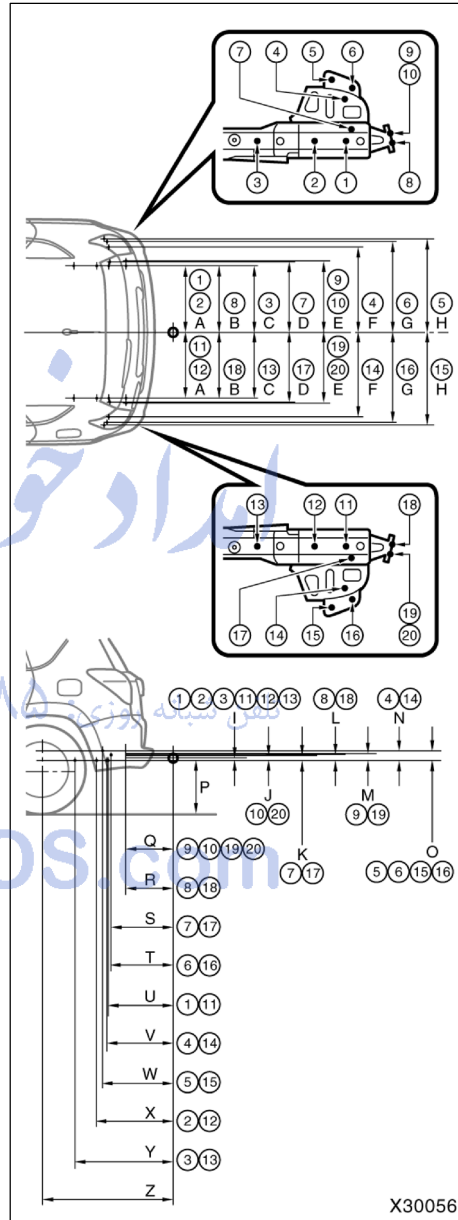


X30055

Vehicles with over fender

mm (in.)

A	546 (21.5)
B	550 (21.7)
C	551 (21.7)
D	582 (23.0)
E	591 (23.3)
F	696 (27.4)
G	739 (29.1)
H	761 (30.0)
I	6 (0.2)
J	23 (0.9)
K	45 (1.8)
L	49 (1.9)
M	55 (2.2)
N	71 (2.8)
O	75 (3.0)
P	358 (14.1)
Q	319 (12.6)
R	320 (12.6)
S	433 (17.0)
T	435 (17.1)
U	454 (17.9)
V	461 (18.1)
W	503 (19.8)
X	550 (21.7)
Y	729 (28.7)
Z	981 (38.6)



X30056

TIRES

- Ensure that your vehicle's tires are properly inflated. See page 518 in Section 7-2 and page 557 in Section 8 for instructions.
- The trailer tires should be inflated to the pressure recommended by the trailer manufacturer in respect to the total trailer weight.

TRAILER LIGHTS

- Please consult authorized Toyota dealer or repairer, or another duly qualified and equipped professional when installing trailer lights, as incorrect installation may cause damage to the vehicle's lights. Please take care to comply with local laws when installing trailer lights.
- Check for correct operation of the turn signals and stop lights each time you hitch up. Direct splicing may damage your vehicle's electrical system and cause a malfunction of your lights.

BREAK-IN SCHEDULE

- Toyota recommends that you do not tow a trailer with a new vehicle or a vehicle with any new power train component (engine, transmission, differential, wheel bearing, etc.) for the first 800 km (500 miles) of driving.

MAINTENANCE

- If you tow a trailer, your vehicle will require more frequent maintenance due to the additional load.
- Retighten all fixing bolts of the towing ball and bracket after approximately 1000 km (600 miles) of trailer driving.

PRE-TOWING SAFETY CHECK

- Be sure not to exceed designated maximum load for the hitch ball of the towing hitch bracket. Please remember that the ball coupling load will increase the load on the vehicle. Maximum permissible rear axle capacity must not be exceeded.
- Make sure the trailer cargo is securely loaded so that it can not shift.
- If the traffic behind the trailer cannot be seen properly with the standard rear view mirrors, additional outside mirrors will be necessary. Both outside mirrors must be fitted on folding arms and adjusted to give a good rear view at all times.

TRAILER TOWING TIPS

Your vehicle will handle differently when towing a trailer. In order to avoid accident, death or serious injury, keep the following in mind when towing:

- Before starting out, check operation of the lights and all vehicle-trailer connections. After driving a short distance, stop and recheck the lights and connections. Before actually towing a trailer, practice turning, stopping and backing with a trailer in an area away from traffic until you learn the feel.
- Because stopping distance may be increased, vehicle-to-vehicle distance should be increased when towing a trailer. For each 10 km/h (6 mph) of speed, allow at least one vehicle and trailer length between you and the vehicle ahead. Avoid sudden braking as you may skid, resulting in jackknifing and loss of control. This is especially true on wet or slippery surfaces.

- Avoid jerky starts or sudden acceleration. If your vehicle has a manual transmission, prevent excessive clutch slippage by keeping engine rpm low and not racing the engine. Always start out in first gear.
- Avoid jerky steering and sharp turns. The trailer could hit your vehicle in a tight turn. Slow down before making a turn to avoid the necessity of sudden braking.
- Backing with a trailer is difficult and requires practice. Grip the bottom of the steering wheel and move your hand to the left to move the trailer to the left. Move your hand to the right to move the trailer to the right. (This procedure is generally opposite to that when backing without a trailer.) Also, just turn the steering wheel a little at a time, avoiding sharp or prolonged turning. Have someone guide you when backing to reduce the risk of an accident.
- Remember that when making a turn, the trailer wheels will be closer than the vehicle wheels to the inside of the turn. Therefore, compensate for this by making a larger than normal turning radius with your vehicle.
- Crosswinds and rough roads will adversely affect handling of your vehicle and trailer, causing sway. Pay attention to the rear from time to time to prepare yourself for being passed by large trucks or buses, which may cause your vehicle and trailer to sway. If swaying happens, firmly grip the steering wheel and reduce speed immediately but gradually. Never increase speed. If it is necessary to reduce speed, brake slowly. Steer straight ahead. If you make no extreme correction with the steering or brakes, the vehicle and trailer will stabilize.
- Be careful when passing other vehicles. Passing requires considerable distance. After passing a vehicle, do not forget the length of your trailer and be sure you have plenty of room before changing lanes.
- To maintain engine braking efficiency, when using engine braking, do not use fifth gear (5-speed manual transmission), sixth gear (6-speed manual transmission) or "D" (automatic transmission or Multidrive).
- Because of the added load of the trailer, your vehicle's engine may overheat on hot days (at temperatures over 30°C [85°F]) when going up a long or steep grade with a trailer. If the engine coolant temperature gauge indicates overheating, immediately turn off the air conditioning (if in use), pull off the road and stop in a safe spot. Refer to "If your vehicle overheats" on page 444 in Section 4.
- Always place wheel blocks under both the vehicle and trailer wheels when parking. Apply the parking brake firmly. Put the transmission in "P" (automatic transmission or Multidrive) or in first or reverse (manual transmission). Avoid parking on a slope with a trailer, but if it cannot be avoided, do so only after performing the following:
 1. Apply the brakes and hold.
 2. Have someone place wheel blocks under both the vehicle and trailer wheels.
 3. When the wheel blocks are in place, release your brakes slowly until the blocks absorb the load.
 4. Apply the parking brake firmly.
 5. Shift into first or reverse (manual transmission) or "P" (automatic transmission or Multidrive) and turn off the engine.

When restarting out after parking on a slope:

1. With the transmission in “P” position (automatic transmission or Multidrive) or the clutch pedal depressed (manual transmission), start the engine. (With an automatic transmission, be sure to keep the brake pedal depressed.)
2. Shift into gear.
3. Release the parking brake (also foot brake on automatic transmission or Multidrive vehicles) and slowly pull or back away from the wheel blocks. Stop and apply your brakes.
4. Have someone retrieve the blocks.

**CAUTION**

- **Observe the legal maximum speeds for trailer towing.**
- **Slow down and downshift before descending steep or long downhill grades. Do not make sudden downshifts while descending steep or long downhill grades.**
- **Avoid holding the brake pedal down too long or too frequently. This could cause the brakes to overheat and result in reduced braking efficiency.**
- **Do not use cruise control when you are towing.**
- **Do not tow the vehicle when the tire installed is repaired with the emergency tire puncture repair kit.**

How to save fuel and make your vehicle last longer

Improving fuel economy is easy—just take it easy. It will help make your vehicle last longer, too. Here are some specific tips on how to save money on both fuel and repairs:

- **Keep your tires inflated at the correct pressure.** Underinflation causes tire wear and wastes fuel. See page 518 in Section 7–2 for instructions.
- **Do not carry unneeded weight in your vehicle.** Excess weight puts a heavier load on the engine, causing greater fuel consumption.
- **Avoid lengthy warm-up idling.** Once the engine is running smoothly, begin driving—but gently. Remember, however, that on cold winter days this may take a little longer.
- **Put the shift lever into the “D” when engine braking is not required.** Driving with the shift lever in a position other than “D” will reduce the fuel economy. (For details, see “Automatic transmission” on page 238 or “Multidrive” on page 249 in Section 1–7.)
- **Accelerate slowly and smoothly.** Avoid jackrabbit starts. Get into high gear as quickly as possible.
- **Avoid long engine idling.** If you have a long wait and you are not in traffic, it is better to turn off the engine and start again later.
- **Avoid engine lugging or over-revving.** Use a gear position suitable for the road on which you are travelling.
- **Avoid continuous speeding up and slowing down.** Stop-and-go driving wastes fuel.

- **Avoid unnecessary stopping and braking.** Maintain a steady pace. Try to time the traffic signals so you only need to stop as little as possible or take advantage of through streets to avoid traffic lights. Keep a proper distance from other vehicles to avoid sudden braking. This will also reduce wear on your brakes.
- **Avoid heavy traffic or traffic jams whenever possible.**
- **Do not rest your foot on the clutch or brake pedal.** This causes premature wear, overheating and poor fuel economy.
- **Maintain a moderate speed on highways.** The faster you drive, the greater the fuel consumption. By reducing your speed, you will cut down on fuel consumption.
- **Keep the front wheels in proper alignment.** Avoid hitting the curb and slow down on rough roads. Improper alignment not only causes faster tire wear but also puts an extra load on the engine, which, in turn, wastes fuel.
- **Keep the bottom of your vehicle free from mud, etc.** This not only lessens weight but also helps prevent corrosion.
- **Keep your vehicle tuned-up and in top shape.** A dirty air cleaner, improper valve clearance, dirty plugs, dirty oil and grease, brakes not adjusted, etc. all lower engine performance and contribute to poor fuel economy. For longer life of all parts and lower operating costs, keep all maintenance work on schedule, and if you often drive under severe conditions, see that your vehicle receives more frequent maintenance.

**CAUTION**

Never turn off the engine to coast down hills. Your power steering and brake booster will not function without the engine running. Also, the emission control system operates properly only when the engine is running.

امداد خودرو فارما

تلفن شبانه روزی: ۰۲۱-۸۸۸۶۲۰۸۵

FarmaSOS.com

Section 4 IN CASE OF AN EMERGENCY

- If your vehicle will not start 436
- If your engine stalls while driving 442
- If you cannot increase engine speed 443
- If your vehicle overheats 444
- Emergency tire puncture repair kit 445
- If you have a flat tire 459
- If your vehicle becomes stuck 473
- If your vehicle needs to be towed 473
- If you cannot shift shift lever 482
- If you lose your keys 482
- If your vehicle has to be stopped in an emergency 483

تلفن شبانه روزی: ۰۲۱-۸۸۸۶۲۰۸۵

FarmaSOS.com

If your vehicle will not start—**(a) Simple checks
(gasoline engine)**

Before making these checks, make sure you have followed the correct starting procedure given in “How to start the engine” on page 410 in Section 3 and that you have sufficient fuel. Also, check whether the other keys will start the engine. If they work, your key may be broken. Have the key checked at any authorized Toyota dealer or repairer, or another duly qualified and equipped professional. If none of your keys work, there may be a malfunction in the immobilizer system. Call any authorized Toyota dealer or repairer, or another duly qualified and equipped professional. (See “Keys” on page 22 or 25 in Section 1-2.)

If the engine is not turning over or is turning over too slowly—

1. Check that the battery terminals are tight and clean.
2. If the battery terminals are O.K., switch on the interior light.
3. If the light is out, dim or goes out when the starter is cranked, the battery is discharged. You may try jump starting. See “(d) Jump starting” on page 439 for further instructions.
4. With smart entry and start system—If the engine does not start even after the battery has been recharged or replace, see “(e) Starting the engine after a battery discharge” on page 442 for further instruction.

If the light is O.K., but the engine still will not start, it needs adjustment or repair. Call any authorized Toyota dealer or repairer, or another duly qualified and equipped professional.

NOTICE

Do not pull- or push-start the vehicle. It may damage the vehicle or cause a collision when the engine starts. Also the three-way catalytic converter may overheat and become a fire hazard.

If the engine turns over at its normal speed but will not start—

1. Vehicles without smart entry and start system—Set the engine switch to the “ACC” position or off and try starting the engine again.

Vehicles with smart entry and start system—Set the “ENGINE START STOP” switch to ACCESSORY mode or off and try starting the engine again.

2. If the engine will not start, the engine may be flooded because of repeated cranking. See “(b) Starting a flooded engine” on page 438 for further instructions.
3. If the engine still will not start, it needs adjustment or repair. Call any authorized Toyota dealer or repairer, or another duly qualified and equipped professional.

(a) Simple checks (diesel engine)

If the fuel tank is empty...

See "(c) If you run out of fuel and the engine dies" on page 438 for restarting instructions.

If you have sufficient fuel...

Before making these checks, make sure you have followed the correct starting procedure given in "How to start the engine" on page 410 in Section 3. Also, check whether the other keys will start the engine. If they work, your key may be broken. Have the key checked at any authorized Toyota dealer or repairer, or another duly qualified and equipped professional. If none of your keys work, there may be a malfunction in the immobilizer system. Call any authorized Toyota dealer or repairer, or another duly qualified and equipped professional. (See "Keys" on page 22 or 25 in Section 1-2.)

If the engine is not turning over or is turning over too slowly—

1. Check that the battery terminals are tight and clean.
2. If the battery terminals are O.K., switch on the interior light.
3. If the light is out, dim or goes out when the starter is cranked, the battery is discharged. You may try jump starting. See "(d) Jump starting" on page 439 for further instructions.
4. With smart entry and start system—If the engine does not start even after the battery has been recharged or replace, see "(e) Starting the engine after a battery discharge" on page 442 for further instruction.

If the light is O.K., but the engine still will not start, it needs adjustment or repair. Call any authorized Toyota dealer or repairer, or another duly qualified and equipped professional.

NOTICE

Do not pull- or push-start the vehicle. It may damage the vehicle or cause a collision when the engine starts. Also the DPF (Diesel Particulate Filter System) catalytic converter, the DPNR (Diesel Particulate-NOx Reduction System) catalytic converter and the catalytic converter may over-heat and become a fire hazard.

If the engine turns over at its normal speed but will not start—

It needs adjustment or repair. Call any authorized Toyota dealer or repairer, or another duly qualified and equipped professional, for assistance.

(b) Starting a flooded engine (gasoline engine)

If the engine will not start, your engine may be flooded because of repeated cranking.

Vehicles without smart entry and start system—If this happens, turn the engine switch to “START” position with the accelerator pedal fully depressed. Keep the engine switch and accelerator pedal in these positions for 15 seconds and release them. Then try starting the engine with your foot off the accelerator pedal.

Vehicles with smart entry and start system—If this happens, press the “ENGINE START STOP” switch with the brake pedal and the accelerator pedal fully depressed, and hold the “ENGINE START STOP” switch for about 30 seconds. Then the cranking hold function stops cranking automatically, and you can try starting the engine with your foot off the accelerator pedal.

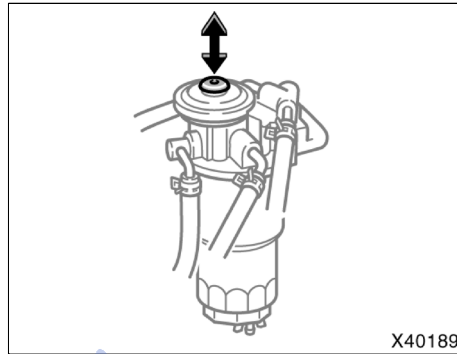
If the engine does not start, wait a few minutes and try again.

If the engine still will not start, it needs adjustment or repair. Call any authorized Toyota dealer or repairer, or another duly qualified and equipped professional, for assistance.

NOTICE

Without smart entry and start system—Do not crank for more than 30 seconds at a time. This may overheat the starter and wiring systems.

(c) If you run out of fuel and the engine dies (diesel engine)



Restart the engine by following these procedures:

1. Refuel your vehicle.
2. Operate the priming pump until you feel more resistance to bleed the fuel system.
3. Crank the engine until it starts.

If the engine does not start within 30 seconds of cranking, wait for 10 seconds and try step 2 and step 3 once again.

If the engine still does not start, contact any authorized Toyota dealer or repairer, or another duly qualified and equipped professional.

4. After starting the engine, depress the accelerator pedal lightly until the engine runs smoothly.

NOTICE

◆ **Do not crank the engine before refueling and operating the priming pump. This may damage the engine and fuel system.**

◆ **Without smart entry and start system—Do not crank for more than 30 seconds at a time. This may overheat the starter and wiring systems.**

(d) Jump starting

To avoid serious personal injury and damage to your vehicle which might result from battery explosion, acid burns, electrical burns, or damaged electronic components, these instructions must be followed precisely.

If you are unsure about how to follow this procedure, we strongly recommend that you seek the help of a competent mechanic or towing service.

! CAUTION

- Batteries contain sulfuric acid which is poisonous and corrosive. Wear protective safety glasses when jump starting, and avoid spilling acid on your skin, clothing, or vehicle.
- If you should accidentally get acid on yourself or in your eyes, remove any contaminated clothing and flush the affected area with water immediately. Then get immediate medical attention. If possible, continue to apply water with a sponge or cloth while en route to the medical office.
- The gas normally produced by a battery will explode if a flame or spark is brought near. Use only standardized jumper cables and do not smoke or light a match while jump starting.

NOTICE

The battery used for boosting must be 12 V. Do not jump start unless you are sure that the booster battery is correct.

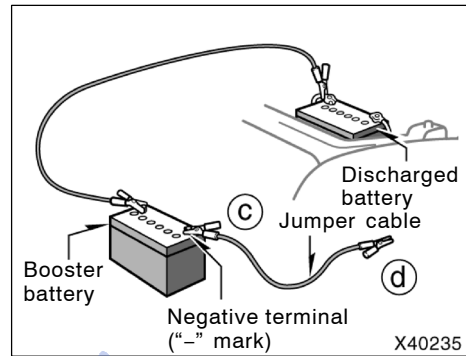
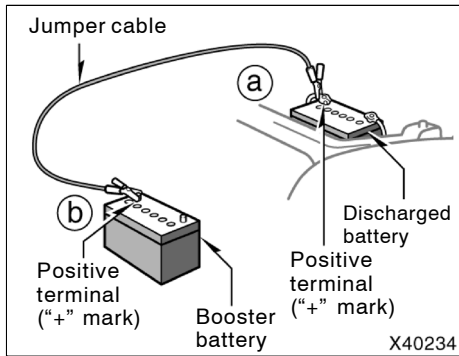
JUMP STARTING PROCEDURE

1. If the booster battery is installed in another vehicle, make sure the vehicles are not touching. Turn off all unnecessary lights and accessories.

When boosting, use the battery of matching or higher quality. Any other battery may be difficult to jump start with.

If jump starting is difficult, charge the battery for several minutes.

2. If the engine in the vehicle with the booster battery is not running, start it and let it run for a few minutes. During jump starting run the engine at about 2000 rpm with the accelerator pedal lightly depressed.



3. Make the cable connections in the order a, b, c, d.

a. Connect the clamp of the positive (red) jumper cable to the positive (+) terminal on the discharged battery.

b. Connect the clamp at the other end of the positive (red) jumper cable to the positive (+) terminal on the booster battery.

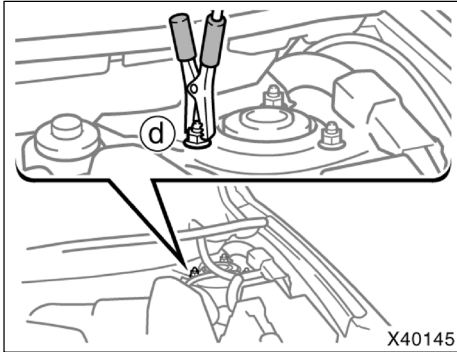
c. Connect the clamp of the negative (black) jumper cable to the negative (-) terminal on the booster battery.

d. Connect the clamp at the other end of the negative (black) jumper cable to a solid, stationary, unpainted, metallic point of the vehicle with the discharged battery.

The recommended connecting point is shown in the following illustration:

تلفن شبانه روزی: ۰۲۱-۸۸۶۲۰۸۵

FarmaSOS.com



Connecting point

Do not connect it to or near any part that moves when the engine is cranked.

⚠ CAUTION

When making the connections, to avoid death or serious injury, do not lean over the battery or accidentally let the jumper cables or clamps touch anything except the correct battery terminals or the ground.

4. Vehicles with diesel engine or smart entry and start system—Charge the discharged battery with the jumper cables connected for approximately 5 minutes. At this time, run the engine in the vehicle with the booster battery at about 2000 rpm with the accelerator pedal lightly depressed.
5. Start your engine in the normal way. After starting, run it at about 2000 rpm for several minutes with the accelerator pedal lightly depressed.
6. Carefully disconnect the cables in the exact reverse order: the negative cable and then the positive cable.

With smart entry and start system—The engine may not restart even after battery charging or replacement. If this happens, see “(e) Starting the engine after a battery discharge”.

If the cause of your battery discharging is not apparent (for example, lights left on), you should have it checked at any authorized Toyota dealer or repairer, or another duly qualified and equipped professional.

If the first start attempt is not successful...

Check that the clamp on the jumper cables are tight. Recharge the discharged battery with the jumper cables connected for several minutes and restart your engine in the normal way.

If the another attempt is not successful, the battery may be depleted. Have it checked at any authorized Toyota dealer or repairer, or another duly qualified and equipped professional.

تلفن شبانه روزی: ۱۵

www.PajmanOS.com

(e) Starting the engine after a battery discharge

With smart entry and start system only—

In the event that the battery is discharged, the engine may not restart even after the battery is recharged or replaced. For safety reasons, the engine may be disabled when battery voltage is extremely low. If the engine is disabled, the start system must be normalized.

To normalize the start system:

1. On vehicles with automatic transmission or Multidrive, shift the shift lever to the "P" position.
2. Set the "ENGINE START STOP" switch off.
3. Open and close any of the doors.
4. Start the engine.

If your engine stalls while driving

If your engine stalls while driving...

1. Reduce your speed gradually, keeping a straight line. Move cautiously off the road to a safe place.
2. Turn on your emergency flashers.
3. Gasoline engine—

Vehicles without smart entry and start system—Turn the engine switch to the "ACC" position or off, and try starting the engine again.

Vehicles with smart entry and start system—Turn the "ENGINE START STOP" switch to ACCESSORY mode or off, and try starting the engine again.

If the engine will not start, see "If your vehicle will not start" on page 436 in this Section.

Diesel engine—

If you have sufficient fuel: Try starting the engine again.

If the engine will not start, see "If your vehicle will not start" on page 436 in this Section.

If the fuel tank is empty: See "(c) If you run out of fuel and the engine dies" on page 438 in this Section for restarting instructions.

 **CAUTION**

If the engine is not running, the power assist for the brakes and steering will not work so steering and braking will be much harder than usual.

If you cannot increase engine speed (gasoline engine)

If engine speed does not increase when the accelerator pedal is depressed, there may be a problem somewhere in your electronic throttle control system.

At this time, vibration may occur. However, if you depress the accelerator pedal more firmly and slowly, you can drive your vehicle at low speeds. Have your vehicle checked by any authorized Toyota dealer or repairer, or another duly qualified and equipped professional, as soon as possible.

Vehicles without smart entry and start system—Even if the abnormality of the electronic throttle control system is corrected during low speed driving, the system may not be recovered until the engine is stopped and set the engine switch to the “ACC” position or off.

Vehicles with smart entry and start system—Even if the abnormality of the electronic throttle control system is corrected during low speed driving, the system may not be recovered until the engine is stopped and set the “ENGINE START STOP” switch to ACCESSORY mode or off.

If you cannot increase engine speed (diesel engine)

If engine speed does not increase when the accelerator pedal is depressed, there may be a problem somewhere in the electronic engine control system. Stop the vehicle and contact any authorized Toyota dealer or repairer, or another duly qualified and equipped professional, or take your vehicle carefully, since the vehicle performance will be lower than normal, to any authorized Toyota dealer or repairer, or another duly qualified and equipped professional, as soon as possible.

Vehicles without smart entry and start system—Even if the abnormality in the electronic engine control system is corrected during low speed driving, the system may not recover until the engine is stopped and turn the engine switch to the “ACC” position or off.

Vehicles with smart entry and start system—Even if the abnormality in the electronic engine control system is corrected during low speed driving, the system may not recover until the engine is stopped and set the “ENGINE START STOP” switch to ACCESSORY mode or off.

 **CAUTION**

Be especially careful to prevent erroneous pedal operation.

If your vehicle overheats

If your engine coolant temperature gauge indicates overheating, if you experience a loss of power, or if you hear a loud knocking or pinging noise, the engine has probably overheated. You should follow this procedure...

1. Pull safely off the road, stop the vehicle and turn on your emergency flashers. Put the transmission in "P" (automatic transmission or Multidrive) or neutral (manual transmission) and apply the parking brake. Turn off the air conditioning if it is being used.
2. If coolant or steam is boiling out of the radiator or reservoir, stop the engine. Wait until the steam subsides before opening the hood. If there is no coolant boiling over or steam, leave the engine running and make sure the electric cooling fan is operating. If it is not, turn the engine switch (vehicles without smart entry and start system) or the "ENGINE START STOP" switch (vehicles with smart entry and start system) off.



CAUTION

To help avoid personal injury, keep the hood closed until there is no steam. Escaping steam or coolant is a sign of very high pressure.

3. Look for obvious coolant leaks from the radiator, hoses, and under the vehicle. However, note that water draining from the air conditioning is normal if it has been used.



CAUTION

When the engine is running, keep hands and clothing away from the moving fan and engine drive belts.

4. If the coolant is leaking, stop the engine immediately. Call any authorized Toyota dealer or repairer, or another duly qualified and equipped professional, for assistance.
5. If there are no obvious leaks, check the coolant reservoir. If it is dry, add coolant to the reservoir while the engine is running. Fill it about half full. For the coolant type, see "Coolant type selection" on page 516 in Section 7-2.



CAUTION

Do not attempt to remove the coolant reservoir cap when the engine and radiator are hot. Serious injury could result from scalding hot fluid and steam blown out under pressure.

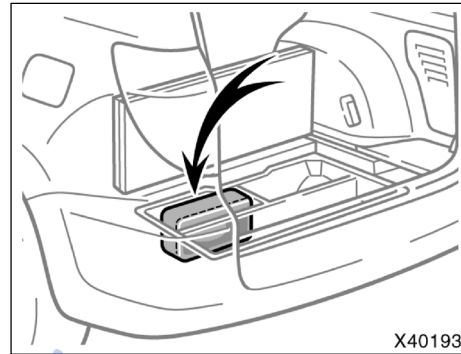
6. After the engine coolant temperature has cooled to normal, again check the coolant level in the reservoir. If necessary, bring it up to half full again. Serious coolant loss indicates a leak in the system. You should have it checked as soon as possible at any authorized Toyota dealer or repairer, or another duly qualified and equipped professional.

Emergency tire puncture repair kit—

1. Reduce your speed gradually, keeping a straight line. Move cautiously off the road to a safe place well away from the traffic. Avoid stopping on the center divider of a highway. Park on a level spot with firm ground.
2. Stop the engine and turn on your emergency flashers.
3. Firmly set the parking brake and put the transmission in "P" (automatic transmission or Multidrive) or neutral (manual transmission).
4. Have everyone get out of the vehicle on the side away from traffic.
5. Read the following instructions thoroughly.

NOTICE

Do not continue driving with a deflated tire. Driving even a short distance can damage a tire and wheel beyond repair.



Emergency tire puncture repair kit

The emergency tire puncture repair kit is for emergency repair of a flattened tire. The kit is located in the luggage storage box.

A puncture caused by a nail or screw passing through the tire tread can be repaired temporarily with the emergency tire puncture repair kit.

One tire can be repaired by one bottle of sealant in the emergency tire puncture repair kit.

After using the kit, the sealant must be collected at any authorized Toyota dealer or repairer, or another duly qualified and equipped professional. Take your vehicle to them for tire repair or replace.

**CAUTION**

- Never drink sealant in the emergency tire puncture repair kit. If you accidentally drink it, drink a large quantity of water and get medical attention immediately.
- If sealant gets in your eyes or on your skin, thoroughly wash them with a large quantity of water. If necessary, get medical attention.
- Keep the emergency tire puncture repair kit out of the reach of children and store it properly.
- When fixing the flat tire temporarily, stop your vehicle in a safe and flat area.

INFORMATION

If sealant gets on your clothes, it may stain.

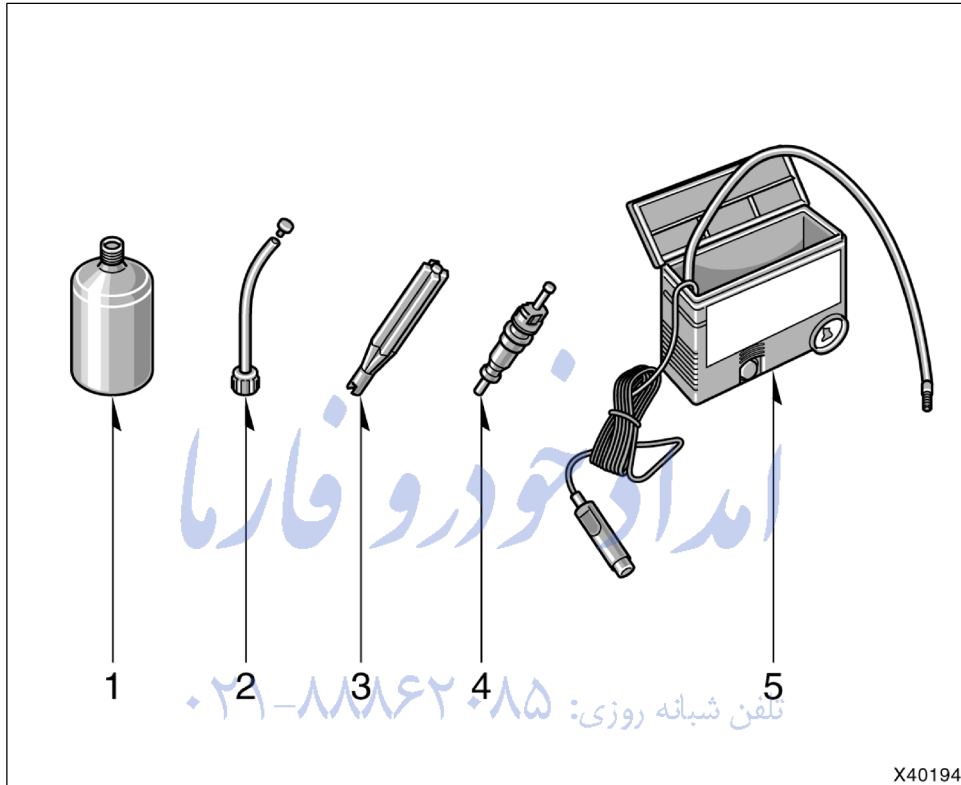
In the following cases, a tire may go flat.

- ◆ *The steering wheel pulls to one side.*
- ◆ *Abnormal vibrations occur.*
- ◆ *The vehicle leans to one side.*

NOTICE

If you remove the sealant adhered to the wheel, you can reuse the wheel. Wipe off any spilled sealant with a rag. However, in the case of the valve, replace it with a new one.

—Contents



X40194t

1. Sealant
2. Injection hose
3. Core turner
4. Valve core
5. Compressor

The sealant has a limited lifespan. The expiry date is marked on the bottle.

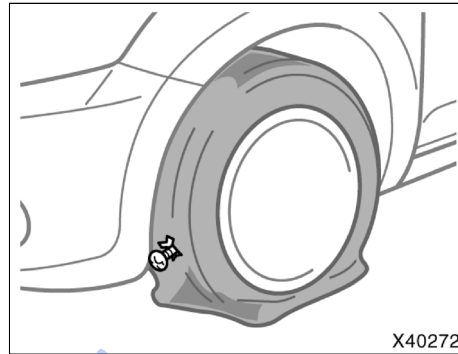
The sealant cannot be used when the outside temperature is other than -30°C (-22°F) to 60°C (140°F).

INFORMATION

The sealant should be replaced before the expired date. Consult any authorized Toyota dealer or repairer, or another duly qualified and equipped professional, for replacement.

—Before putting the sealant into use

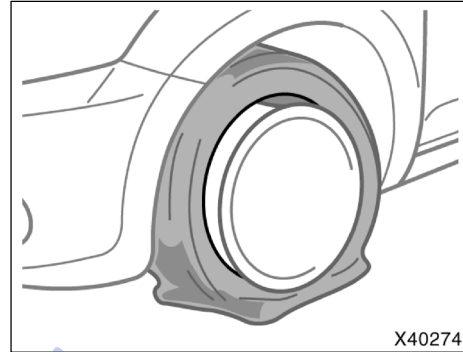
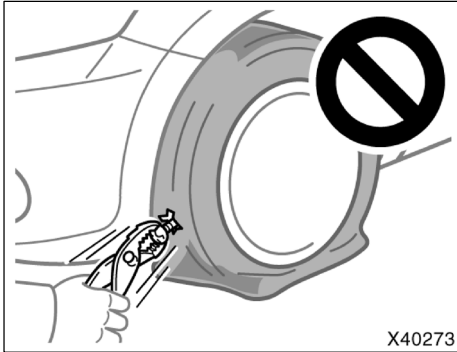
Before applying the sealant in the emergency tire puncture repair kit, check the degree of tire damage.



A tire should only be repaired if the damage is caused by a nail or screw passing through the tire tread. Perform the repair with the nail or screw that has punctured the tire positioned at the bottom, in contact with the ground.

تلفن شبانه روزی: ۰۲۱-۸۸۸۶۲۰۸۵

FarmaSOS.com



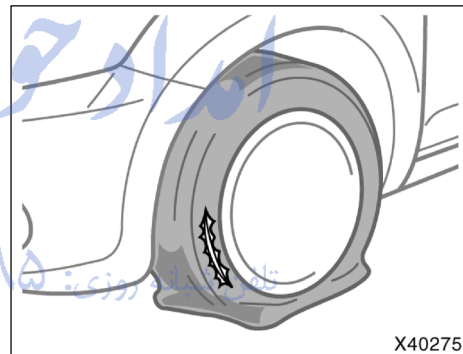
Example 1

NOTICE

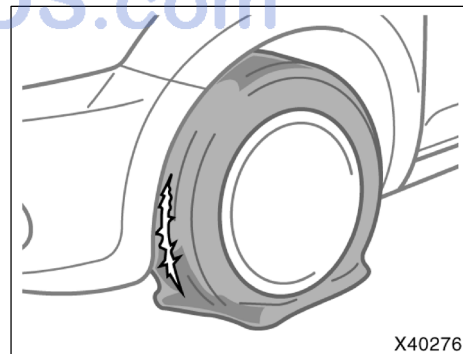
In this case, perform emergency repair without removing the nail or screw trapped in the tire. Otherwise, repair with the sealant in the emergency tire puncture repair kit may fail.

Emergency repair with the sealant in the kit is not possible in the following cases. Contact any authorized Toyota dealer or repairer, or another duly qualified and equipped professional.

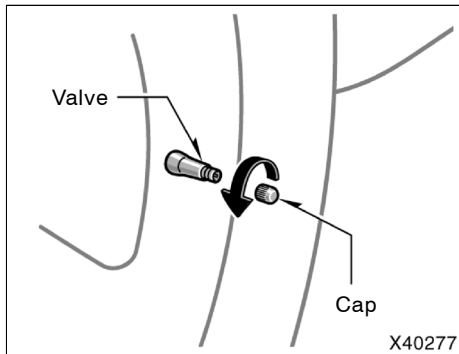
- When the wheel is damaged
- When two or more tires have been punctured (One sealant bottle can repair only one tire.)
- When the tire is damaged due to driving without sufficient air pressure
- When the tire is visibly disengaged from the wheel (See Example 1.)
- When the tire lost air pressure due to a crack or damage in the tire sidewall (See Example 2.)
- When the cut or damage to the tread is 4.0 mm (0.1 in.) or more (See Example 3.)



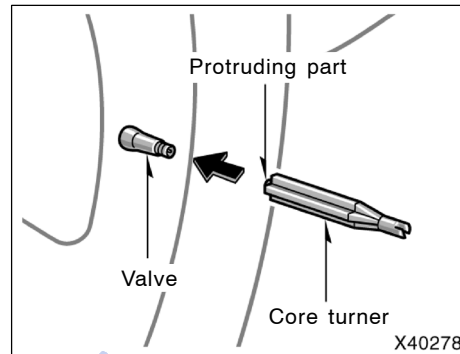
Example 2



Example 3

—Emergency repair method

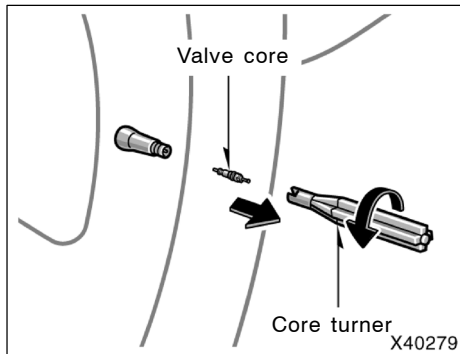
1. Position the nail or screw that has punctured the tire at the bottom, in contact with the ground. Remove the cap from the valve.



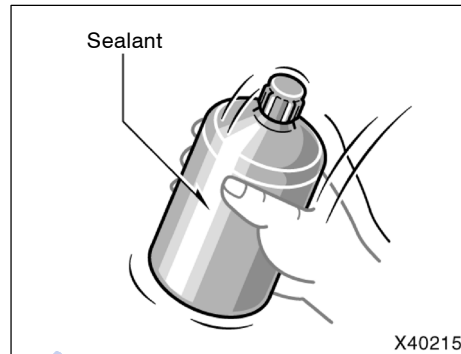
2. Bring the protruding part of the core turner into contact with the valve to discharge air.

امداد خودرو فارما
تلفن شبانه روزی: ۰۲۱-۸۸۸۶۲۰۸۵

FarmaSOS.com



3. Pull out the valve core by turning it counterclockwise using the core turner.



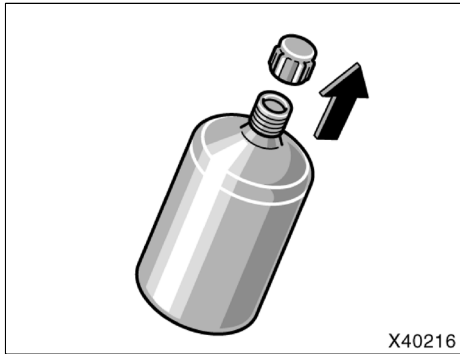
4. Shake the sealant bottle up and down several times.

CAUTION

If you turn the core turner forcefully while air is left in the tire, special care should be taken because the valve core could fly out.

NOTICE

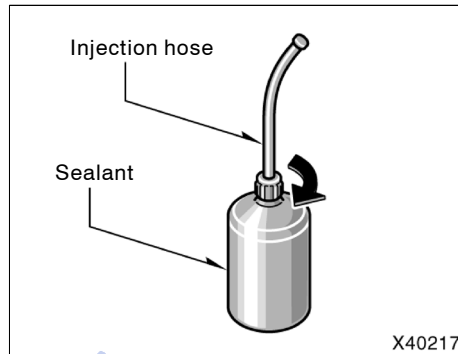
Do not put the valve core on the dirty ground or in sand. Store it in a clean place.



5. Remove the cap of the sealant bottle.

NOTICE

Do not remove the inside cap.



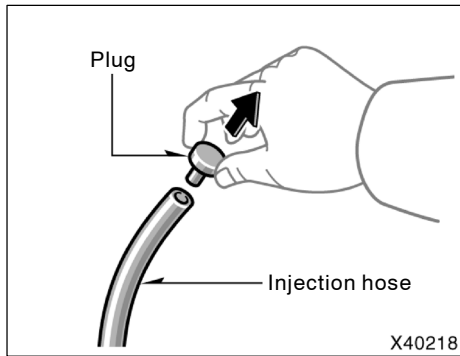
6. Connect the injection hose by screwing onto the sealant bottle. As it is screwed in, the aluminum seal on the bottle will be torn.

CAUTION

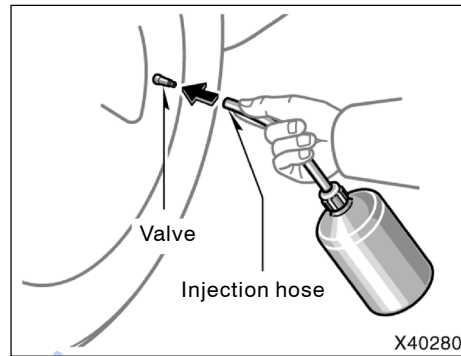
Be careful, as sealant may spout out if you shake the bottle with the hose installed.

تلفن شبانه روزی: ۰۲۱-۸۸۶۲۰۸۵

FarmaSOS.com



7. Remove the plug from the injection hose.

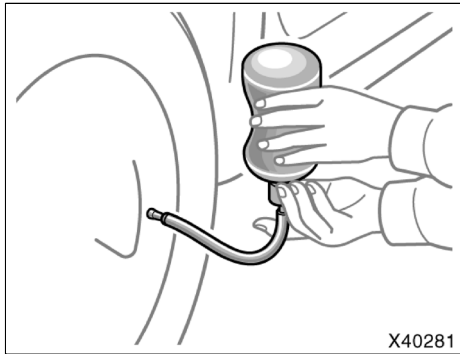


8. Connect the injection hose to the valve.

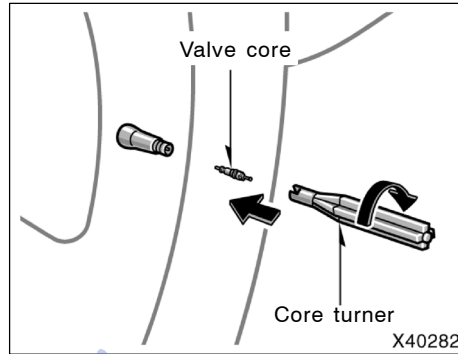
امداد خودرو فارما

تلفن شبانه روزی: ۰۲۱-۸۸۸۶۲۰۸۵

FarmaSOS.com



9. Inject all the sealant that is in the bottle. Hold and tilt the bottle, then squeeze sealant out of the bottle as shown.



10. Remove the injection hose from the valve and screw the valve core in the valve securely by turning it clockwise with the core turner.



CAUTION

If the hose is not securely installed, sealant may spout out when filling.

NOTICE

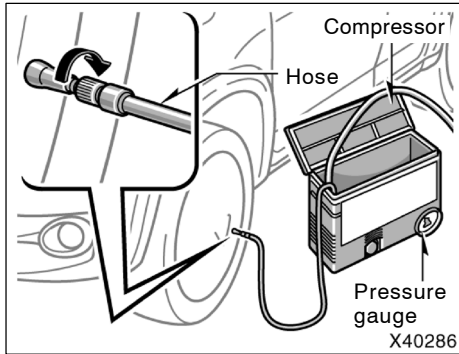
Turn the core turner with your hand when screwing in. If you use other tool in conjunction with the core turner, it may be damaged.

NOTICE

After using sealant, bring the empty bottle of sealant to any authorized Toyota dealer or repairer, or another duly qualified and equipped professional, and purchase a new bottle. Keep the new bottle in your vehicle.

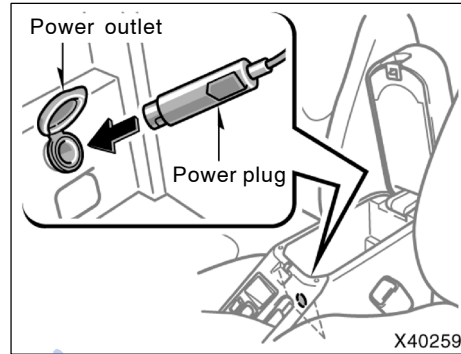
تلفن شبانه روزی: ۰۸۵ ۸۸۶۲ ۱

SOS.com

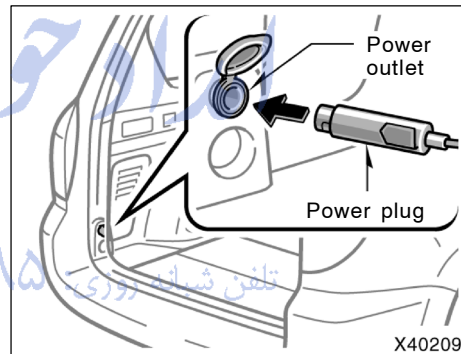


11. Connect the air compressor hose by threading it on the valve.

CAUTION
 Connect the valve and hose securely with the tire installed on the vehicle.



Rear console box (for front tire)

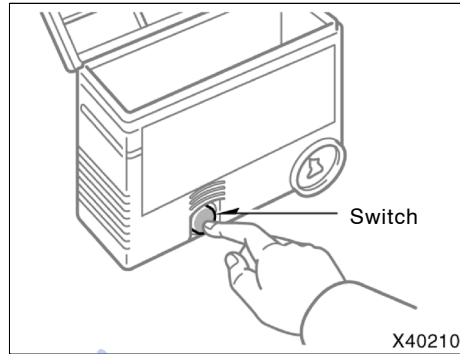
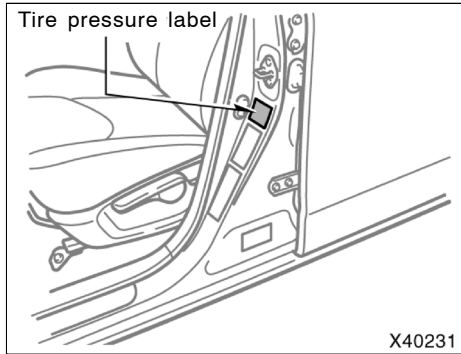


Luggage compartment (for rear tire)

12. Connect the compressor power plug to the power outlet.

Vehicles without smart entry and start system—The engine switch must be set at the “ACC” or “ON” position.

Vehicles with smart entry and start system—The “ENGINE START STOP” switch must be set at ACCESSORY or IGNITION ON mode.



13. Check the specified inflation pressure. The label is affixed on the body side when the driver's side door is opened.

14. Turn the compressor switch "ON" and fill the tire with air until the specified inflation pressure is reached.

When the pressure gauge connected to the hose reads the specified pressure, turn the switch "OFF".

If the inflation pressure is not attained within 7 minutes, emergency repair is not possible due to severe damage. Contact any authorized Toyota dealer or repairer, or another duly qualified and equipped professional.

CAUTION

Do not touch the inside of the compressor as it may be hot.

۰۲۱-۸۸۶۲

تلفن شبانه روزی

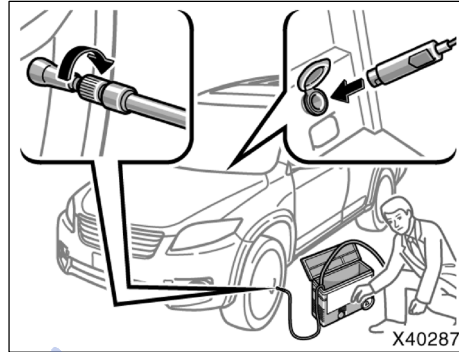
FarmaSUS.com

NOTICE

- ◆ *Do not operate the compressor continuously for more than 10 minutes. The motor may overheat and be damaged. Cool the compressor before using it again.*
- ◆ *The compressor is a pneumatic filling type for passenger vehicles.*
- ◆ *The compressor power source should be 12 VDC for vehicles. Do not connect to 24 VDC or other power source.*
- ◆ *The compressor is an oilless type. Do not lubricate with oil.*

INFORMATION

Turning on the compressor switch will cause a loud operating noise. This does not indicate a malfunction.

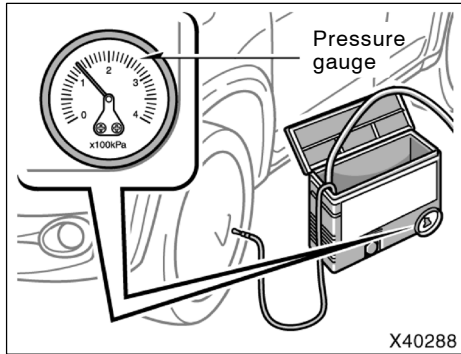


18. After driving for about 5 km (3 miles) or 10 minutes, pull your vehicle over in a safe place and reconnect the compressor.

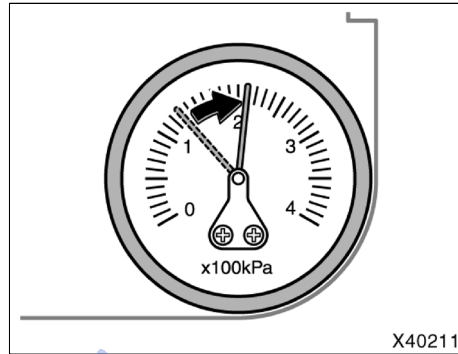
15. After completely filling the tire with air, disconnect the hose from the valve on the tire.
16. Pull the power plug of the compressor out of the power outlet on the vehicle.
17. To spread the liquid sealant evenly in the tire, immediately drive for about 5 km (3 miles) or 10 minutes.

 **CAUTION**

Drive your vehicle with due care. Be especially careful when turning and cornering.



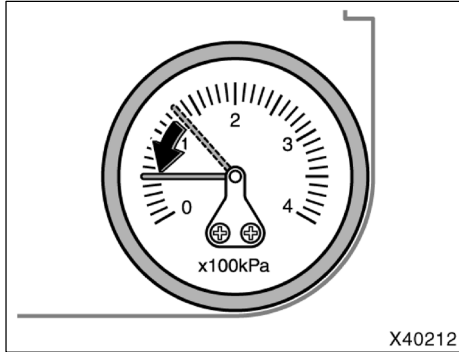
19. Read the inflation pressure on the pressure gauge.



If the pressure is 130 kPa (1.3 kgf/cm² or bar, 18 psi) or above, fill the tire with air using the compressor until the specified inflation pressure is reached.

امداد خودرو فارما
تلفن شبانه روزی: ۰۲۱-۸۸۸۶۲۰۸۵

FarmaSOS.com



If the pressure is less than 130 kPa (1.3 kgf/cm² or bar, 18 psi), the emergency repair that have been performed is not safe for use as damage to the tire is too severe. Do not continue to drive the vehicle.

If you have a flat tire— —Standard tires information

1. Reduce your speed gradually, keeping a straight line. Move cautiously off the road to a safe place well away from the traffic. Avoid stopping on the center divider of a highway. Park on a level spot with firm ground.
2. Stop the engine and turn on your emergency flashers.
3. Firmly set the parking brake and put the transmission in "P" (automatic transmission or Multidrive) or reverse (manual transmission).
4. Have everyone get out of the vehicle on the side away from traffic.
5. Read the following instructions thoroughly.

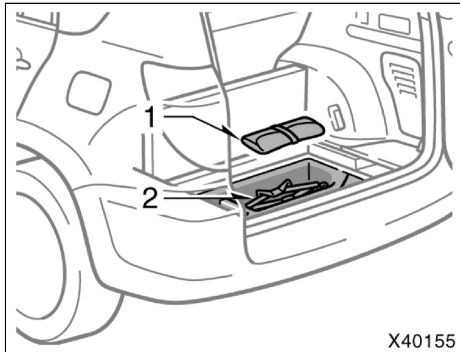
NOTICE

Do not continue driving with a deflated tire. Driving even a short distance can damage a tire and wheel beyond repair.

تلفن شبانه روزی: ۰۲۱-۸۸۸۶۲۰۸۵

FarmaSOS.com

—Required tools and spare tire

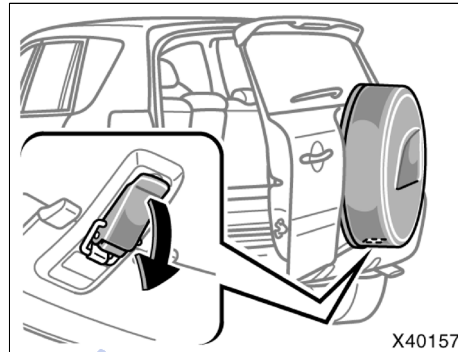


X40155

1. Get the required tools and spare tire on the back door.

1. Tool bag
2. Jack

To prepare yourself for an emergency, you should familiarize yourself with the use of the jack, each of the tools and their storage locations.



X40157

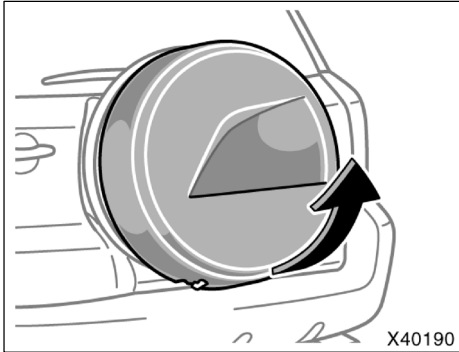
To remove the spare tire cover (vehicles with spare tire):

1. Open the back door. Unhook the latch handle which is on the bottom of the spare tire cover.

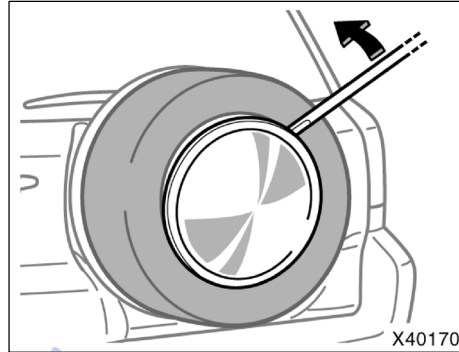
The latch handle can be released only when the back door is opened.

تلفن شبانه روزی: ۰۲۱-۸۸۶۲۰۸۵

FarmaSOS.com



2. Close the back door. Remove the spare tire cover by holding the bottom and lifting it up and away from the vehicle.



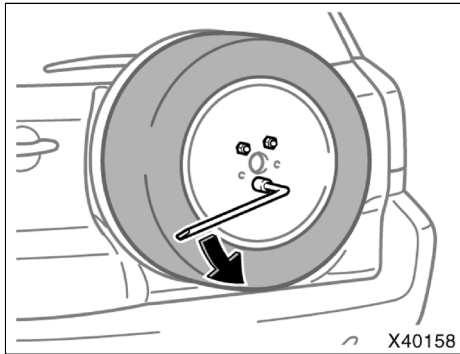
If the spare tire is equipped with a wheel ornament, remove the wheel ornament.

Pry off the wheel ornament, using the beveled end of the wheel nut wrench as shown.

CAUTION

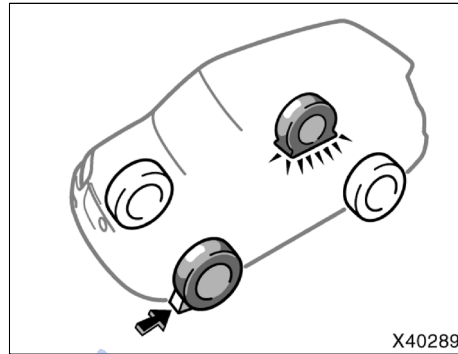
Do not try to pull off the ornament by hand. Take due care in handling the ornament to avoid unexpected personal injury.

—Blocking the wheel



To remove the spare tire, turn the hold-down nuts counterclockwise with the wheel nut wrench and remove them.

When storing the spare tire, put it in place and secure it to prevent it from flying forward during a collision or sudden braking.



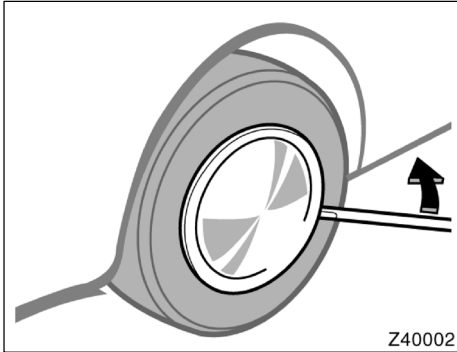
2. Block the wheel diagonally opposite the flat tire to keep the vehicle from rolling when it is jacked up.

When blocking the wheel, place a wheel block in front of one of the front wheels or behind one of the rear wheels.

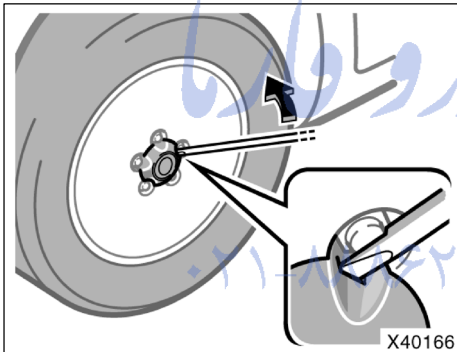
تلفن شبانه روزی: ۰۲۱-۸۸۸۶۲۰۸۵

FarmaSOS.com

—Removing wheel ornament



Type A



Type B

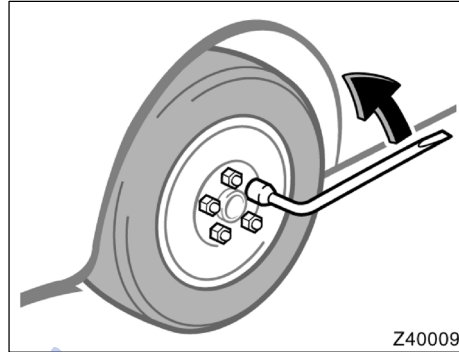
3. Remove the wheel ornament.

Pry off the wheel ornament, using the beveled end of the wheel nut wrench as shown.

⚠ CAUTION

Do not try to pull off the ornament by hand. Take due care in handling the ornament to avoid unexpected personal injury.

—Loosening wheel nuts



4. Loosen all the wheel nuts.

Always loosen the wheel nuts before raising the vehicle.

Turn the wheel nuts counterclockwise to loosen. To get maximum leverage, fit the wrench to the nut so that the handle is on the right side, as shown above. Grab the wrench near the end of the handle and pull up on the handle. Be careful that the wrench does not slip off the nut.

Do not remove the nuts yet—just unscrew them about one-half turn.

⚠ CAUTION

Never use oil or grease on the bolts or nuts. The nuts may loose and the wheels may fall off, which could cause serious accident.

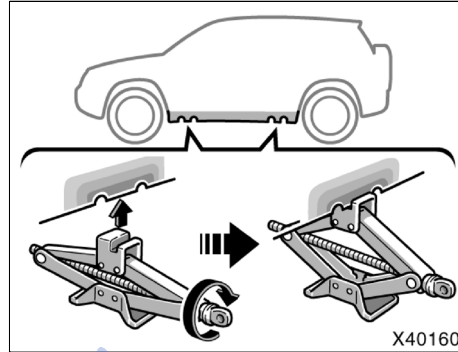
—Jacking up precaution

⚠ CAUTION

When jacking, be sure to observe the following to reduce the possibility of death or serious injury:

- Follow jacking instructions.
- Do not put any part of your body under the vehicle supported by the jack. Otherwise, death or serious injury may occur.
- Do not start or run the engine while your vehicle is supported by the jack.
- Stop the vehicle on firm, flat and level ground, firmly set the parking brake and put the transmission in "P" (automatic transmission or Multidrive) or reverse (manual transmission). Block the wheel diagonally opposite to the one being changed if necessary.
- Make sure to set the jack properly in the jack point. Raising the vehicle with jack improperly positioned will damage the vehicle or may allow the vehicle to fall off the jack and cause death or serious injury.
- Never get under the vehicle when the vehicle is supported by the jack alone.
- Use the jack only for lifting your vehicle during wheel changing.
- Do not raise the vehicle with someone in the vehicle.
- When raising the vehicle, do not place any objects on top of or underneath the jack.
- Raise the vehicle only high enough to remove and change the tire.

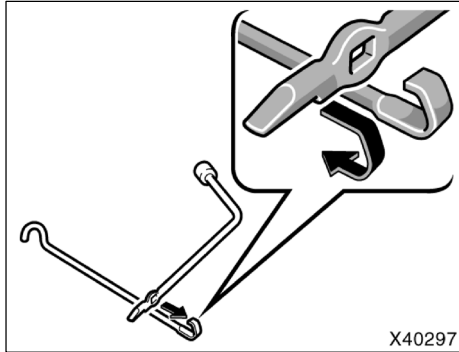
—Positioning the jack



5. Position the jack at the correct jack point as shown.

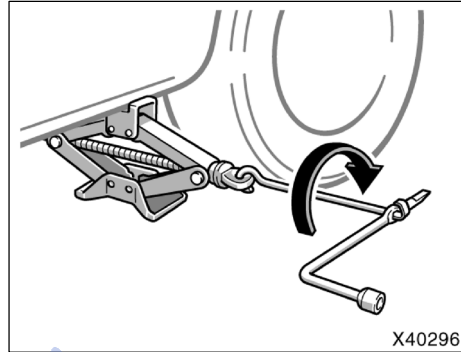
Make sure the jack is positioned on a level and solid place.

—Raising your vehicle



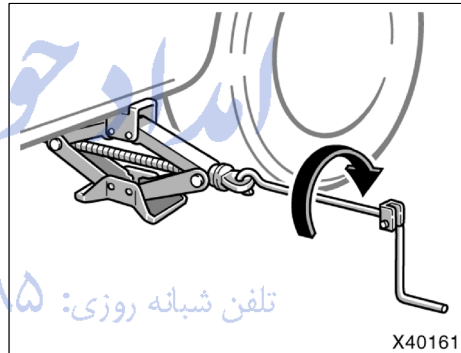
X40297

Type A only: Assemble the jack handle extension.



X40296

Type A



X40161

Type B

6. After making sure that no one is in the vehicle, raise it high enough so that the spare tire can be installed.

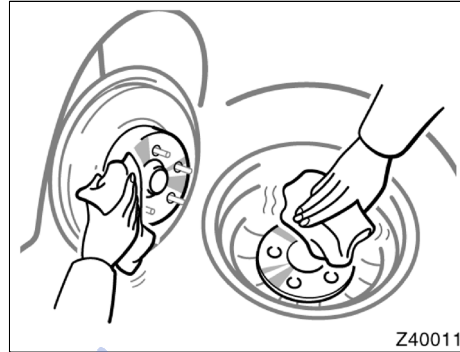
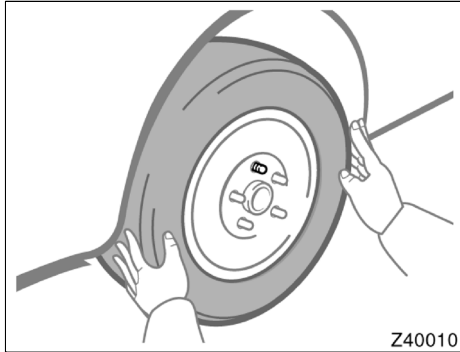
Remember you will need more ground clearance when putting on the spare tire than when removing the flat tire.

To raise the vehicle, insert the jack handle into the jack (it is a loose fit) and turn it clockwise. As the jack touches the vehicle and begins to lift, double-check that it is properly positioned.



CAUTION

Never get under the vehicle when the vehicle is supported by the jack alone.

—Changing wheels**7. Remove the wheel nuts and change tires.**

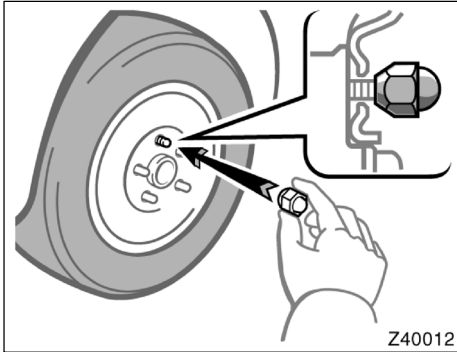
Lift the flat tire straight off and put it aside.

Roll the spare wheel into position and align the holes in the wheel with the bolts. Then lift up the wheel and get at least the top bolt started through its hole. Wiggle the tire and press it back over the other bolts.

Before putting on wheels, remove any corrosion on the mounting surfaces with a wire brush or such. Installation of wheels without good metal-to-metal contact at the mounting surface can cause wheel nuts to loosen and eventually cause a wheel to come off while driving.

تلفن شبانه روزی: ۰۲۱-۸۸۶۲۰۸۵

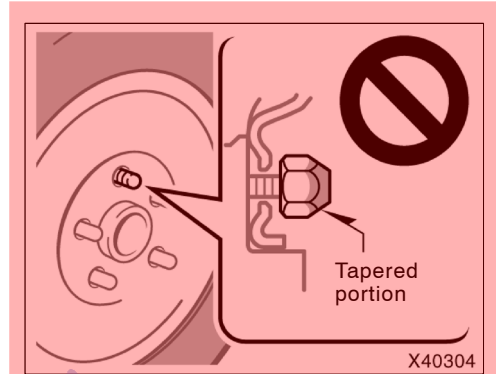
FarmaSOS.com

—Reinstalling wheel nuts**8. Reinstall all the wheel nuts finger tight.**

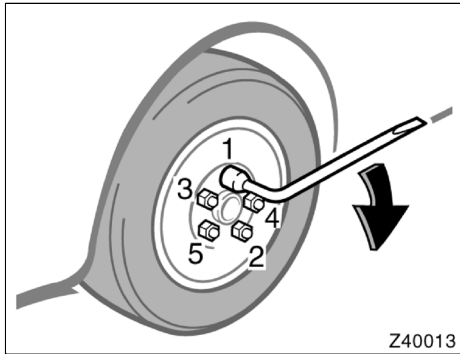
Reinstall the wheel nuts (tapered end inward) and tighten them as much as you can by hand. Press back on the tire and see if you can tighten them more.

⚠ CAUTION

Never use oil or grease on the bolts or nuts. Doing so may lead to overtightening the nuts and damaging the bolts. The nuts may loose and the wheels may fall off, which could cause serious accident. If there is oil or grease on any bolt or nut, clean it.

**⚠ CAUTION**

Be sure to install the wheel nuts with the tapered end facing inward. Installing the nuts with the tapered end facing outward can cause wheel to break and eventually cause a wheel to come off while driving, which could lead to an accident resulting in death or serious injury.

—Lowering your vehicle**9. Lower the vehicle completely and tighten the wheel nuts.**

Turn the jack handle counterclockwise to lower the vehicle.

Use only the wheel nut wrench and turn it clockwise to tighten the nuts. Do not use other tools or any additional leverage other than your hands, such as a hammer, pipe or your foot. Make sure the wrench is securely engaged over the nut.

Tighten each nut a little at a time in the order shown. Repeat the process until all the nuts are tight.

⚠ CAUTION

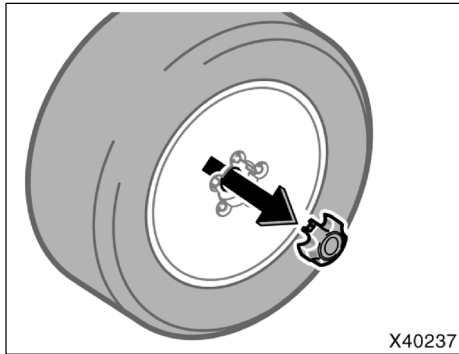
- When lowering the vehicle, make sure all portions of your body and all other persons around will not be injured as the vehicle is lowered to the ground.
- Have the wheel nuts tightened with torque wrench to 103 N·m (10.5 kgf·m, 76 ft·lbf), as soon as possible after changing wheels. Otherwise, the nuts may loosen and the wheels may fall off, which could cause a serious accident.

—Stowing flat tire (vehicles with spare tire)

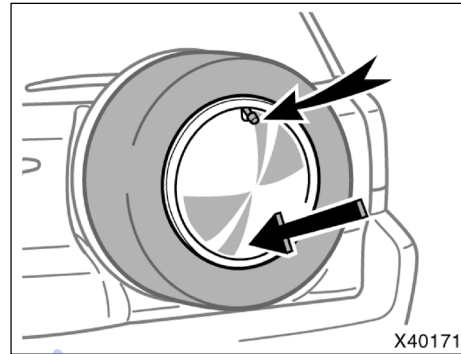
10. Install the flat tire and spare tire cover on the back door.

⚠ CAUTION

Make sure flat tire and spare tire cover are securely in place in their storage location to reduce the possibility of personal injury during a collision or sudden braking.



On some models, before stowing the flat tire, remove the center wheel ornament by pushing from the reverse side. Be careful not to lose the wheel ornament.

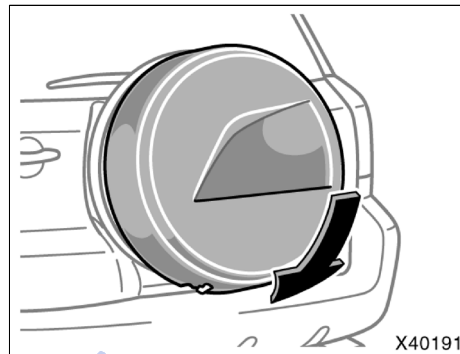
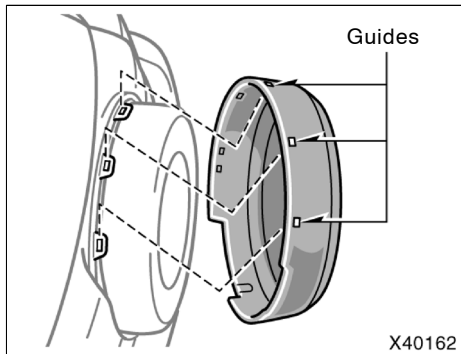


On some models, reinstall the wheel ornament to the flat tire.

1. Put the wheel ornament into position. Align the cutout of the wheel ornament with the valve stem as shown.
2. Press hand firmly on one side of wheel ornament and then firmly tap the other side around the edge of wheel ornament with the heel of your hand to snap into place.

تلفن شبانه روزی: ۰۲۱-۸۸۸۶۲۰۸۵

FarmaSOS.com



To install the spare tire cover:

1. Insert the hooks under the guides to the upper slots and lower the cover.

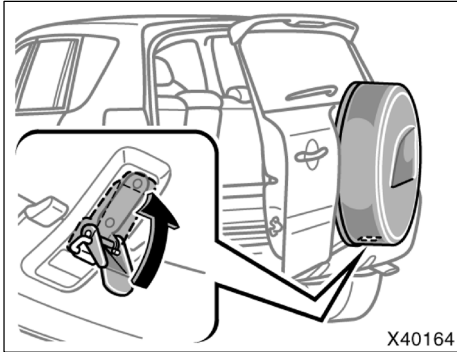
2. Attach the cover by hooking the 2 inner protrusions.

Check that the cover is securely attached.

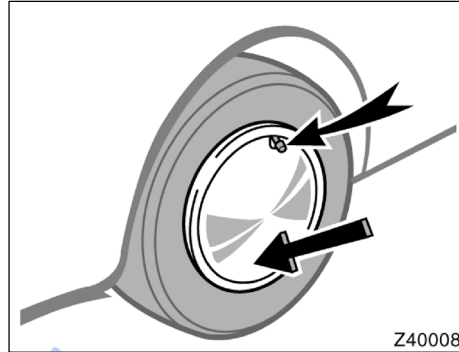
امداد خودرو فارما
تلفن شبانه روزی: ۰۲۱-۸۸۸۶۲۰۸۵

FarmaSOS.com

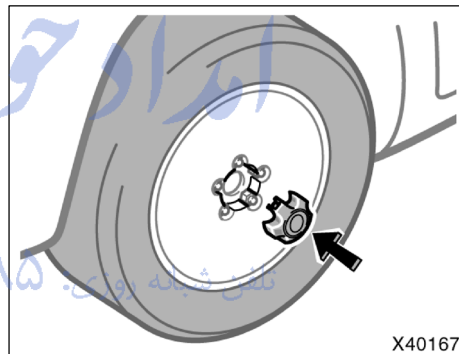
—Reinstalling wheel ornament



3. Open the back door. Lock the latch handle which is on the bottom of the cover.
4. Close the back door. Check that the cover is securely in place.



Type A



Type B

11. Reinstall the wheel ornament.

1. Put the wheel ornament into position.
Type A only: Align the cutout of the wheel ornament with the valve stem as shown.
2. Then firmly tap the outer edge of the wheel cap with the side or heel of your hand to snap into place.

**CAUTION**

- Take due care in handling the ornament to avoid unexpected personal injury.
- Do not attach a heavily damaged plastic wheel ornament. It may fly off the wheel and cause accidents while the vehicle is moving.

—After changing wheels**12. Check the air pressure of the replaced tire.**

Adjust the air pressure to the specification designated on page 557 in Section 8. If the pressure is lower, drive slowly to the nearest service station and fill to the correct pressure.

Do not forget to reinstall the tire inflation valve cap as dirt and moisture could get into the valve core and possibly cause air leakage. If the cap is missing, have a new one put on as soon as possible.

13. Restow all the tools and jack securely.

As soon after changing wheels as possible, tighten the wheel nuts to the torque specified on page 557 in Section 8 with a torque wrench. Have a technician repair the flat tire.

**CAUTION**

Before driving, make sure all the tools and jack are securely in place in their storage location to reduce the possibility of death or serious injury during sudden braking, sudden swerving or an accident.

If your vehicle becomes stuck

If your vehicle becomes stuck in snow, mud, sand, etc., then you may attempt to rock the vehicle free by moving it forward and backward. Turn off the traction control system and/or VSC+ system if these functions are hampering your attempts to free the vehicle. (For details, see "Traction control system" and "Vehicle stability control+(VSC+) system" on page 262 and 267 in Section 1-7.)

Four-wheel drive models—

You can use the four-wheel drive lock switch in this situation. (For details, see "Active Torque Control 4WD system" on page 260 in Section 1-7.)

CAUTION

Do not attempt to rock the vehicle free by moving it forward and backward if people or objects are anywhere near the vehicle. During the rocking operation the vehicle may suddenly move forward or backward as it becomes unstuck, causing injury or damage to nearby people or objects.

NOTICE

If you rock your vehicle, observe the following precautions to prevent damage to the transmission and other parts.

- ◆ Do not depress the accelerator pedal while shifting the shift lever or before the transmission is completely shifted to forward or reverse gear.
- ◆ Do not race the engine and avoid spinning the wheels.
- ◆ If your vehicle remains stuck after rocking the vehicle several times, consider other ways such as towing.

If your vehicle needs to be towed—

(a) Towing with wheel lift type truck—

—From front



—From rear

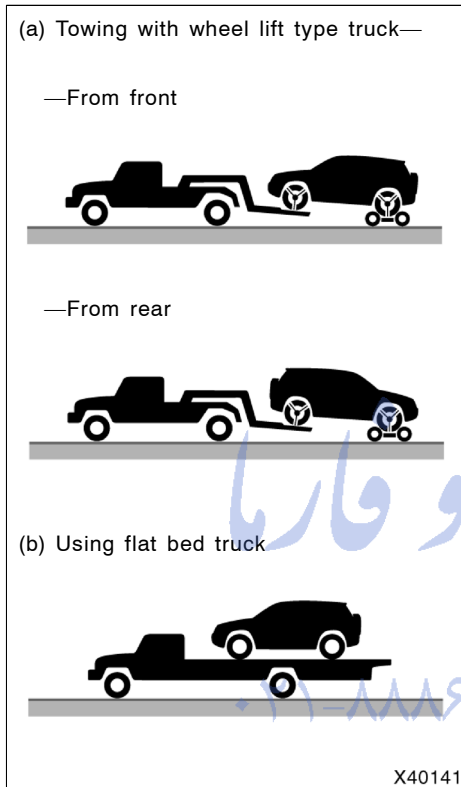


(b) Using flat bed truck



X40140

Two-wheel drive models



Four-wheel drive models

If towing is necessary, we recommend you to have it done by any authorized Toyota dealer or repairer, or qualified professional, such as a commercial tow truck service. In consultation with them, have your vehicle towed using either (a) or (b).

Only when you cannot receive a towing service from any authorized Toyota dealer or repairer, or qualified professional, such as a commercial tow truck service, tow your vehicle carefully in accordance with the instructions given in “—Emergency towing” on page 477 in this Section.

Proper equipment will help ensure that your vehicle is not damaged while being towed. Commercial operators are generally aware of the state/provincial and local laws pertaining to towing.

Your vehicle can be damaged if it is towed incorrectly. Although most operators know the correct procedure, it is possible to make a mistake. To avoid damage to your vehicle, make sure the following precautions are observed. If necessary, show this page to the tow truck driver.

TOWING PRECAUTIONS:

Use a safety chain system for all towing, and abide by the state/provincial and local laws.

Two-wheel drive models—If towing your vehicle with a wheel lift type truck from the front, the vehicle's rear wheels and axles must be in good conditions. If they are damaged, use a towing dolly.

Four-wheel drive models—If towing your vehicle with a wheel lift type truck, use a towing dolly.

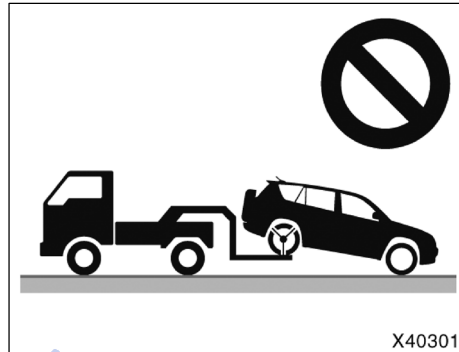
NOTICE

When lifting wheels, take care to ensure adequate ground clearance for towing at the opposite end of the raised vehicle. Otherwise, the bumper and/or underbody of the towed vehicle will be damaged during towing.

Two-wheel drive models—

(a) Towing with wheel lift type truck

From front—Release the parking brake.

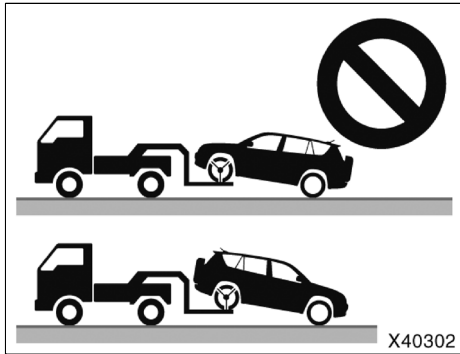


From rear—

Use a towing dolly under the front wheels.

NOTICE

Never tow your vehicle from the rear with the front wheels on the ground. This may cause serious damage to the transmission.



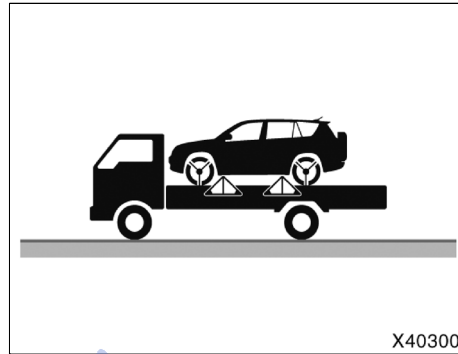
Four-wheel drive models—

(a) Towing with wheel lift type truck

Use a towing dolly under the wheels not lifted by the truck.

NOTICE

Never tow your vehicle with any of the wheels on the ground. This may cause serious damage to the transmission and Active Torque Control 4WD system.



All models—

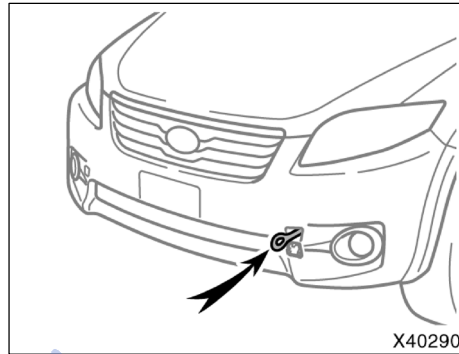
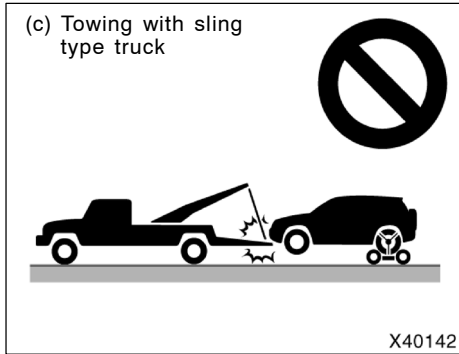
(b) Using flat bed truck

If you use chains or cables to tie down your vehicle, the angles shaded in black must be 45°.

Do not overly tighten the tie downs or the vehicle may be damaged.

تلفن شبانه روزی: ۰۲۱-۸۸۶۲۰۸۵

—Emergency towing

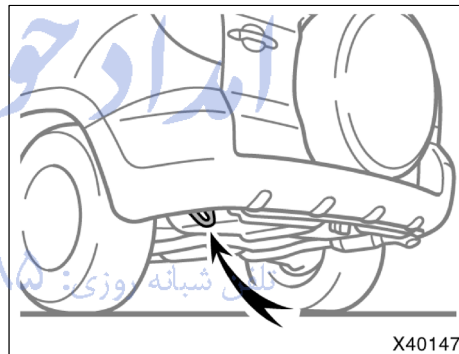


Front

All models—

(c) Towing with sling type truck

NOTICE
Do not tow with sling type truck, either from the front or rear. This may cause body damage.



Rear

If towing is necessary, we recommend you to have it done by any authorized Toyota dealer or repairer, or qualified professional, such as a commercial tow truck service.

If towing service is not available in an emergency, your vehicle may be temporarily towed by a cable or chain secured to the emergency towing eyelets on the front of the vehicle. Use extreme caution when towing vehicle.

Vehicles with an automatic transmission or Multidrive, use only the front towing eyelet when towing your vehicle.

To install the front towing eyelet, see “—Installing front towing eyelet” described below.

NOTICE

- ◆ **Only use specified towing eyelet; otherwise your vehicle may be damaged.**
- ◆ **Vehicles with an automatic transmission or Multidrive, never tow a vehicle from the rear with four wheels on the ground. This may cause serious damage to the transmission.**

A driver must be in the vehicle to steer it and operate the brakes.

Towing in this manner may be done only on hard-surfaced roads for a short distance and at low speeds. Also, the wheels, axles, drive train, steering and brakes must all be in good condition.

 **CAUTION**

Use extreme caution when towing the vehicle. Avoid sudden starts or erratic driving maneuvers which would place excessive stress on the emergency towing eyelet and towing cable or chain. The eyelet and towing cable or chain may break and cause serious injury or damage.

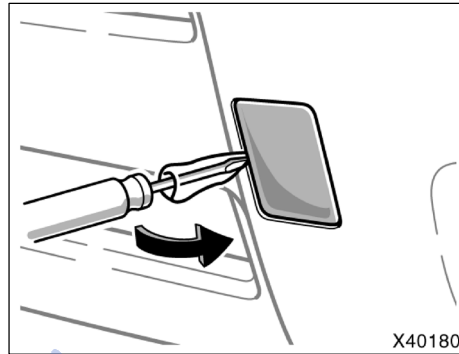
NOTICE

Use only a cable or chain specifically intended for use in towing vehicles. Securely fasten the cable or chain to the towing eyelet provided.

—Installing front towing eyelet

Vehicles without smart entry and start system—Before towing, release the parking brake and put the transmission in neutral (manual transmission) or “N” (automatic transmission or Multidrive). The engine switch must be set at the “ACC” (engine off) or “ON” (engine running) position.

Vehicles with smart entry and start system—Before towing, release the parking brake and put the transmission in neutral (manual transmission) or “N” (automatic transmission or Multidrive). The “ENGINE START STOP” switch must be set at ACCESSORY (engine off) or IGNITION ON (engine running) mode.



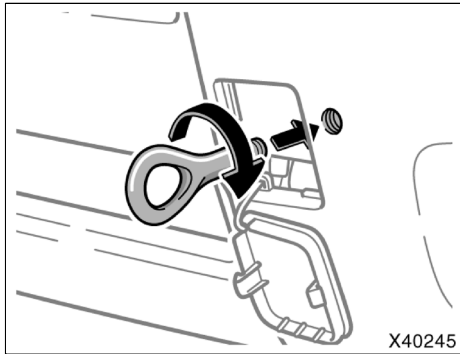
1. Remove the front towing eyelet cover on the front bumper, using a flathead screwdriver which is wrapped with a cloth.

CAUTION

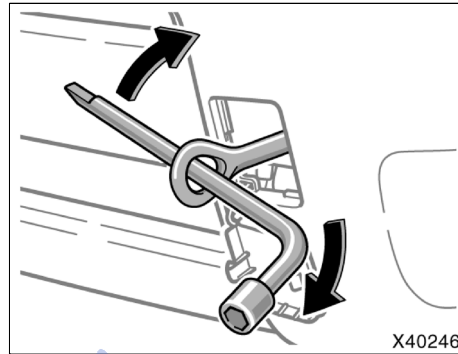
If the engine is not running, the power assist for the brakes and steering will not work so steering and braking will be much harder than usual.

تلفن شبانه روزی: ۰۲۱-۸۸۶۲۰۸۵

FarmaSOS.com



2. Use the front towing eyelet in the tool bag. Secure it to the hole on the bumper by turning clockwise. (For the tool bag location, see “—Required tools and spare tire” on page 460 in this Section.)



3. Tighten the front towing eyelet securely by a wheel nut wrench.

CAUTION

When installing the eyelet on the vehicle, be sure to tighten the front eyelet securely. If the eyelet is loose, it may come off when being towed and result in death or serious injury.

تلفن شبانه روزی: ۰۲۱-۸۸۶۲۰۸۵

FarmaSOS.com

—Emergency towing eyelet precautions

- Before emergency towing, check that the eyelet is not broken or damaged and that the installation bolts are not loose.
- Fasten the towing cable or chain securely to the eyelet.
- Do not jerk the eyelet. Apply steady and even force.
- To avoid damaging the eyelet, do not pull from the side or at a vertical angle. Always pull straight ahead.

 **CAUTION**

If the emergency towing eyelet is used to get out when your vehicle becomes stuck in mud, sand or other condition from which the vehicle cannot be driven out under its own power, make sure to observe the precautions mentioned below. Otherwise, excessive stress will be put on the eyelet and the towing cable or chain may break, causing serious injury or damage.

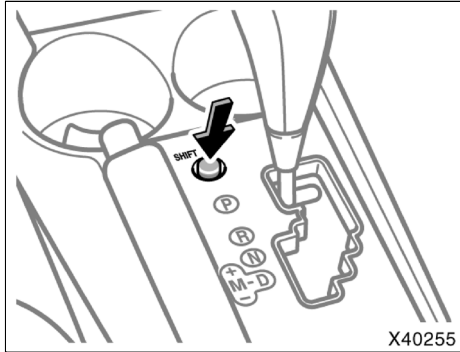
- If the towing vehicle can hardly move, do not forcibly continue the towing. Contact any authorized Toyota dealer or repairer, or qualified professional, such as a commercial tow truck service.
- Tow the vehicle as straight ahead as possible.
- Keep away from the vehicle during towing.

—Tips for towing a stuck vehicle

The following methods are effective to get out when your vehicle is stuck in mud, sand or other condition from which the vehicle cannot be driven out under its own power. Use extreme caution when towing vehicles. In addition, keep away from the vehicles and towing cable or chain when towing.

- Remove the soil and sand in the front and the back of the tires.
- Place a stone or wood under the tires.

If you cannot shift shift lever



If you cannot shift the shift lever out of “P” position to other positions even though the brake pedal is depressed, use the shift lock override button as follows:

1. Make sure the engine switch (vehicles without smart entry and start system) or the “ENGINE START STOP” switch (vehicles with smart entry and start system) is off and the parking brake is applied.
2. Push the shift lock override button. You can shift out of “P” position only while pushing the button.
3. Shift into “N” position.
4. Start the engine. For your safety, keep the brake pedal depressed.

Be sure to have the system checked by any authorized Toyota dealer or repairer, or another duly qualified and equipped professional, as soon as possible.

If you lose your keys

You can purchase a new key at any authorized Toyota dealer or repairer, or another duly qualified and equipped professional, if you can give them the key number and master key.

Vehicles without smart entry and start system—Even if you lose only one key, contact any authorized Toyota dealer or repairer, or another duly qualified and equipped professional, to make a new key. If you lose all your master keys, you cannot make new keys; the whole engine immobilizer system must be replaced.

Vehicles with smart entry and start system—If you lose any of your keys, contact any authorized Toyota dealer or repairer, or another duly qualified and equipped professional to have new keys made. Lost keys increase the danger of vehicle theft. Bring all of the remaining vehicle keys when you visit any authorized Toyota dealer or repairer, or another duly qualified and equipped professional.

See the suggestion given in “Keys” on page 22 or 25 in Section 1-2.

You can use the wireless remote control system and smart entry and start system by new key, if the systems are equipped with your vehicle. Contact any authorized Toyota dealer or repairer, or another duly qualified and equipped professional, for detailed information.

If your keys are locked in the vehicle and you cannot get a duplicate, many authorized Toyota dealers, repairers or other duly qualified and equipped professionals can still open the door for you, using their special tools. If you must break a window to get in, we suggest breaking the smallest side window because it is the least expensive to replace. Be extremely cautious to avoid cuts from the glass.

If your vehicle has to be stopped in an emergency

Only in an emergency, such as if it becomes impossible to stop the vehicle in the normal way, stop the vehicle using the following procedure:

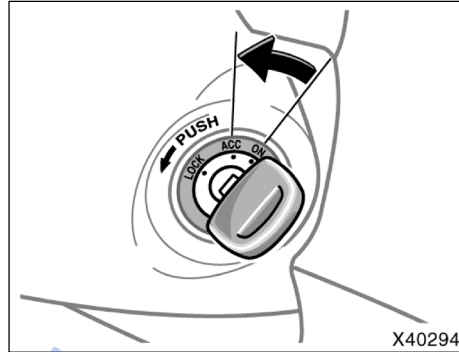
1. Steadily step on the brake pedal with both feet and firmly depress it. Do not pump the brake pedal repeatedly as this will increase the effort required to slow the vehicle.
2. Shift the shift lever to "N" or neutral.

If the shift lever is shifted to "N" or neutral:

3. After slowing down, stop the vehicle in a safe place by the road.
4. Stop the engine.

If the shift lever cannot be shifted to "N" or neutral:

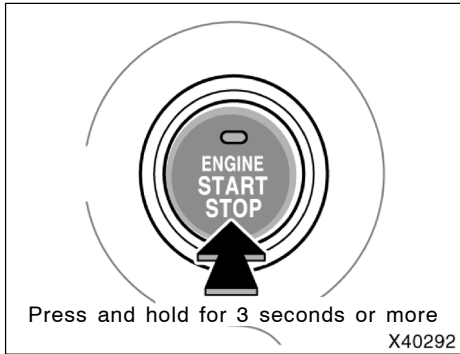
3. Keep depressing the brake pedal with both feet to reduce vehicle speed as much as possible.



4. Vehicles without a smart entry and start system—Stop the engine by turning the engine switch to the "ACC" position.

تلفن شبانه روزی: ۰۲۱-۸۸۶۲۰۸۵

FarmaSOS.com



4. Vehicles with a smart entry and start system—Stop the engine by pressing and holding the “ENGINE START STOP” switch for 3 consecutive seconds or more.
5. Stop the vehicle in a safe place by the road.

**CAUTION**

If the engine has to be turned off while driving:

- Power assist for the brakes and steering wheel will be lost, making the brake pedal harder to depress and the steering wheel heavier to turn. Decelerate as much as possible before turning off the engine.
- Vehicles without a smart entry and start system: Never attempt to remove the key, as doing so will lock the steering wheel.

Section 5 CORROSION PREVENTION AND APPEARANCE CARE

- Protecting your Toyota from corrosion 486
- Washing and waxing your Toyota 487
- Cleaning the interior 490
- Rain clearing mirrors 493

امداد خودرو فارما

تلفن شبانه روزی: ۰۲۱-۸۸۸۶۲۰۸۵

FarmaSOS.com

Protecting your Toyota from corrosion

Toyota, through the diligent research, design and use of the most advanced technology available, helps prevent corrosion and provides you with the finest quality vehicle construction. Now, it is up to you. Proper care of your Toyota can help ensure long-term corrosion prevention.

The most common causes of corrosion to your vehicle are:

- The accumulation of road salt, dirt and moisture in hard-to-reach areas under the vehicle.
- Chipping of paint, or undercoating caused by minor accidents or by stones and gravel.

Care is especially important if you live in particular areas or operate your vehicle under certain environmental conditions:

- Road salt or dust control chemicals will accelerate corrosion, as will the presence of salt in the air near the sea-coast or in areas of industrial pollution.
- High humidity accelerates corrosion especially when temperatures range just above the freezing point.
- Wetness or dampness to certain parts of your vehicle for an extended period of time, may cause corrosion even though other parts of the vehicle may be dry.
- High ambient temperatures can cause corrosion to those components of the vehicle which do not dry quickly due to lack of proper ventilation.

The above signifies the necessity to keep your vehicle, particularly the underside, as clean as possible and to repair any damage to paint or protective coatings as soon as possible.

To help prevent corrosion on your Toyota, follow these guidelines:

Wash your vehicle frequently. It is, of course, necessary to keep your vehicle clean by regular washing, but to prevent corrosion, the following points should be observed:

- If you drive on salted roads in the winter or if you live near the ocean, you should hose off the undercarriage at least once a month to minimize corrosion.
- High pressure water or steam is effective for cleaning the vehicle's underside and wheel housings. Pay particular attention to these areas as it is difficult to see all the mud and dirt. It will do more harm than good to simply wet the mud and debris without removing. The lower edge of doors, rocker panels and frame members have drain holes which should not be allowed to clog with dirt as trapped water in these areas can cause corrosion.
- Wash the underside of the vehicle thoroughly when winter is over.

See "Washing and waxing your Toyota" on page 487 for more tips.

Check the condition of your vehicle's paint and trim. If you find any chips or scratches in the paint, touch them up immediately to prevent corrosion from starting. If the chips or scratches have gone through the bare metal, have a qualified body shop make the repair.

Check the interior of your vehicle. Water and dirt can accumulate under the floor mats and could cause corrosion. Occasionally check under the mats to make sure the area is dry. Be particularly careful when transporting chemicals, cleansers, fertilizers, salt, etc.; these should be transported in proper containers. If a spill or leak should occur, immediately clean and dry the area.

Use mud shields on your wheels. If you drive on salted or gravel roads, mud shields help protect your vehicle. Full-size shields, which come as near to the ground as possible, are the best. We recommend that the fittings and the area where the shields are installed be treated to resist corrosion. Your authorized Toyota dealer or repairer, or another duly qualified and equipped professional, will be happy to assist in supplying and installing the shields if they are recommended for your area.

Keep your vehicle in a well ventilated garage or a roofed place. Do not park your vehicle in a damp, poorly ventilated garage. If you wash your vehicle in the garage, or if you drive it covered with water or snow, your garage may be so damp as to cause corrosion. Even if your garage is heated, a wet vehicle can corrode if the ventilation is poor.

Washing and waxing your Toyota

Washing your Toyota

Keep your vehicle clean by regular washing.

NOTICE

The following cases may cause weakness to the paint or corrosion to the body and components. (aluminum wheels etc.) Wash your vehicle as soon as possible.

- ◆ ***After driving near the sea coast***
- ◆ ***After driving on salted roads***
- ◆ ***If you see coal tar or tree sap on the paint surface***
- ◆ ***If you see dead insects, insect droppings or bird droppings on the paint***
- ◆ ***After driving in an area contaminated with soot, oily smoke, mine dust, iron powder or chemical substances***
- ◆ ***If the vehicle becomes heavily soiled in dust or mud***
- ◆ ***If liquids such as benzene and gasoline are spilled on the paint surface***

If the paint is chipped or scratched, have it repaired immediately.

To prevent the wheels from corroding, remove any dirt and store in a place with low humidity when storing the wheels.

Hand-washing your Toyota

Work in the shade and wait until the vehicle body is not warm to the touch.



CAUTION

- When cleaning under floor or chassis, be careful not to injure your hands.
- Exhaust gases cause the exhaust pipe to become quite hot. When washing the vehicle, be careful not to touch the pipe until it has cooled sufficiently, as touching a hot exhaust pipe can cause burns.

NOTICE

When the front wiper arms need to be lifted away from the windshield to wash the vehicle, raise the arm on the driver side first. Conversely, when returning the wipers to their original positions, fold down the arm on the front passenger side first. Failure to perform the operations in the correct order results in damage.

1. Rinse off loose dirt with a hose. Remove any mud or road salt from the underside of the vehicle or the wheel wells.
2. Wash with a mild car-wash soap, mixed according to the manufacturer's instructions. Use a soft cotton mitt and keep it wet by dipping it frequently into the wash water. Do not rub hard—let the soap and water remove the dirt.

Plastic wheel ornaments: The plastic wheel ornaments are damaged easily by organic substances. If any organic substances splash an ornament, be sure to wash them off with water and check if the ornament is damaged.

Aluminum wheels: Remove any dirt immediately by using a neutral detergent.

Do not use hard brushes or abrasive cleaners. Do not use strong or harsh chemical cleaners. Use the same mild detergent and wax as used on the paint.

Do not use detergent on the wheels when they are hot, for example after driving for long distance in the hot weather.

Wash detergent from the wheels immediately after use.

NOTICE

- ◆ **Do not use corrosive chemical-based cleaners on your wheels. (Example: hydrofluoric acid)**
- ◆ **Do not use steam cleaners or the chemicals therein to clean your wheels.** تلفن شبانه روزی
- ◆ **Do not use scouring pads, wire brushes, or coarse abrasives to clean your wheels.**

Plastic bumpers: Wash carefully. Do not scrub with abrasive cleaners. The bumper faces are soft.

Exterior lights: Wash carefully. Do not use organic substances or scrub them with a hard brush. This may damage the surfaces of the lights.

Road tar: Remove with turpentine or cleaners that are marked safe for painted surfaces.

3. Rinse thoroughly—dried soap can cause streaking. In hot weather you may need to rinse each section right after you wash it.
4. To prevent water spots, dry the vehicle using a clean soft cotton towel. Do not rub or press hard—you might scratch the paint.

◆ **When the antenna is removed, make sure to store it in a suitable place so as not to lose it. Also, before driving, make sure to reinstall the antenna in its original position.**

NOTICE

- ◆ **Do not use organic substances (gasoline, kerosene, benzine or strong solvents), which may be toxic or cause damage.**
- ◆ **Do not scrub any part of the vehicle with a hard brush, which may cause damage.**

Automatic car wash

Your vehicle may be washed in an automatic car wash, but remember that the paint can be scratched by some types of brushes, unfiltered washing water, or the washing process itself. Scratching reduces paint durability and gloss, especially on darker colors. The manager of the car wash should be able to advise you whether the process is safe for the paint on your vehicle.

Vehicles equipped with the raindrop detection type windshield wipers—

Turn the wipers off before washing the vehicle. For details, see “Windshield wipers and washer (raindrop detection type)” on page 189.

NOTICE

- ◆ **To prevent damage to the antenna, make sure it is removed before driving your Toyota through an automatic car wash.**
- ◆ **Before driving, ensure that the antenna is installed.**

Waxing your Toyota

Polishing and waxing is recommended to maintain the original beauty of your Toyota’s finish.

Apply wax once a month or if the vehicle surface does not repel water well.

1. Always wash and dry the vehicle before you begin waxing, even if you are using a combined cleaner and wax.
2. Use a good quality polish and wax. If the finish has become extremely weathered, use a car-cleaning polish, followed by a separate wax. Carefully follow the manufacturer’s instructions and precautions. Be sure to polish and wax the chrome trim as well as the paint.

Windshield washer nozzles: Make sure that the nozzles do not become blocked when waxing. If a nozzle becomes blocked, contact authorized Toyota dealer or repairer, or another duly qualified and equipped professional, to have the vehicle serviced.

NOTICE

If a nozzle becomes blocked, do not try to clear it with a pin or other object. The nozzle will be damaged.

Exterior lights: Do not apply wax on the surfaces of the lights. Wax may cause damage to the lenses. If you accidentally put wax on the light surfaces, wipe or wash it off.

3. Wax the vehicle again when water does not bead but remains on the surface in large patches.

Touch-up paint

Touch-up paint may be used to cover small chips or scratches.

Apply the paint soon after the damage occurs or corrosion may set in. To do a good job, use a small artist's brush and stir the paint well. Make sure the area is clean and dry. To apply the touch-up paint so it is hardly noticeable, the trick is to apply it only to the bare spots. Apply only the smallest amount possible and do not paint the surface around the scratch or chip.

Cleaning the interior**CAUTION**

- **Do not splash or spill liquid in the vehicle. Doing so may cause electrical components etc. to malfunction or catch fire.**
- **When cleaning the interior (especially instrument panel), do not use polish wax or polish cleaner. The instrument panel may reflect off the windshield, obstructing the driver's view and leading to an accident, resulting in death or serious injury.**
- **Vehicles with side airbags and curtain shield airbags:**
Be careful not to splash water or spill liquid on the floor. This may prevent the side airbag and curtain shield airbag from activating correctly, resulting in serious injury.

NOTICE

- ◆ **Do not wash the vehicle floor with water, or allow water to get onto the floor when cleaning the vehicle interior or exterior. Water may get into audio components or other electrical components above or under the floor carpet (or mat) and cause a malfunction; and it may cause body corrosion.**
- ◆ **When cleaning the interior, do not use polish wax or polish cleaner. The instrument panel's or other interior part's painted surface may be damaged.**

Vinyl interior

The vinyl upholstery may be easily cleaned with a mild soap or detergent and water.

First vacuum over the upholstery to remove loose dirt. Then, using a sponge or soft cloth, apply the soap solution to the vinyl. After allowing it to soak in for a few minutes to loosen the dirt, remove the dirt and wipe off the soap with a clean damp cloth. If all the dirt do not come off, repeat the procedure. Commercial foaming-type vinyl cleaners are also available which work well. Follow the manufacturer's instructions.

NOTICE

Do not use solvent, thinner, gasoline or window cleaner on the interior.

Carpets

Use a good foam-type shampoo to clean the carpets.

Begin by vacuuming thoroughly to remove as much dirt as possible. Several types of foam cleaners are available; some are in aerosol cans and others are powders or liquids which you mix with water to produce a foam. To shampoo the carpets, use a sponge or brush to apply the foam. Rub in overlapping circles.

Do not apply water—the best results are obtained by keeping the carpet as dry as possible. Read the shampoo instructions and follow them closely.

Seat belts

The seat belts may be cleaned with mild soap and water or with lukewarm water.

Use a cloth or sponge. As you are cleaning, check the belts for excessive wear, fraying, or cuts.

NOTICE

- ◆ *Do not use dye or bleach on the belts—it may weaken them.*
- ◆ *Do not use the belt until they become dry.*

Windows**NOTICE**

- ◆ *Do not use glass cleaner to clean the inside of the rear window, as this may cause damage to the rear window defogger heater wires. Use a cloth dampened with lukewarm water to gently wipe the window clean. Wipe the window in strokes running parallel to the heater wires.*
- ◆ *When cleaning the inside of the rear window, be careful not to scratch or damage the heater wires.*

Air conditioning control panel, audio panel, instrument panel, console panel, door switch panels, and switches

Use a soft damp cloth for cleaning.

Soak a clean soft cloth in water or lukewarm water then lightly wipe off dirt.

NOTICE

- ◆ *Do not use organic substances (solvents, kerosene, alcohol, gasoline, etc.) or alkaline or acidic solutions. These chemicals can cause discoloring, staining or peeling of the surface.*
- ◆ *If you use cleaners or polishing agents, make sure their ingredients do not include the substances mentioned above.*
- ◆ *If you use a liquid car freshener, do not spill the liquid onto the vehicle's interior surfaces. It may contain the ingredients mentioned above. Immediately clean any spill using the method mentioned above.*

Leather interior

The leather upholstery may be cleaned with neutral detergent for wool.

Remove dirt using a soft cloth dampened with 5% solution of neutral detergent for wool. Then thoroughly wipe off all traces of detergent with a clean damp cloth.

After cleaning or whenever any part of the leather gets wet, dry with a soft clean cloth. Allow the leather to dry in a ventilated shaded area.

NOTICE

- ◆ *If a stain should fail to come out with a neutral detergent, apply a cleaner that does not contain an organic solvent.*
- ◆ *Never use organic substances such as benzine, alcohol or gasoline, or alkaline or acid solutions for cleaning the leather as these could cause discoloring.*
- ◆ *Use of a nylon brush or synthetic fiber cloth, etc. may scratch the fine grained surface of the leather.*
- ◆ *Mildew may develop on soiled leather upholstery. Be especially careful to avoid oil spots. Try to keep your upholstery always clean.*
- ◆ *Long exposure to direct sunlight may cause the leather surface to harden and shrink. Keep your vehicle in a shaded area, especially in the summer.*
- ◆ *The interior of your vehicle is apt to heat up on hot summer days, so avoid placing on the upholstery items made of vinyl or plastic or containing wax as these tend to stick to leather when warm.*
- ◆ *Improper cleaning of the leather upholstery could result in discoloration or staining.*

If you have any questions about the cleaning of your Toyota, any authorized Toyota dealer or repairer, or another duly qualified and equipped professional, will be pleased to answer them.

Rain clearing mirrors (on some models)

The outside rear view mirrors have been coated to produce a "rain clearing" effect. This coating causes the raindrops to spread, clearing the driver's rear view when it rains.

It is sufficient to wash the mirrors with water for day to day care.

The rain clearing effect is reduced in drizzle and light rain.

In the following cases, the rain clearing effect will be reduced temporarily, but will gradually recover.

- After wiping dirt off the mirrors
- When the mirrors fog up
- After waxing your vehicle in an automatic car wash
- After your vehicle has been parked for a long period in underground parking lots, etc. where there is no direct sunlight

The rain clearing effect is restored by sunlight over one or two days. If you would like to restore the rain clearing effect to its normal level immediately, wash the mirrors with neutral detergent which does not contain silicone or rubbing compound, then rinse thoroughly. Check the composition of the glass cleaner or car shampoo before use.

NOTICE

To maintain the rain clearing ability, and prevent the mirrors from being scratched, observe the following precautions.

- ◆ *Do not use any glass cleaners that contain compounds.*
- ◆ *If ice should jam the mirror, do not scrape the mirror. Use a spray de-icer to free the mirror.*
- ◆ *Wash off any wax stuck to the mirrors with neutral detergent and rinse thoroughly as any wax on the surface of the mirrors can cause the rain clearing effect to be lost.*
- ◆ *Do not use any water repellents as they can destroy the rain clearing effect. If any repellent gets stuck on the surface of the mirrors, wash it off with neutral detergent, then rinse thoroughly.*

تلفن شبانه روزی: ۸۵

FarmaSOS.com

امداد خودرو فارما

تلفن شبانه روزی: ۰۲۱-۸۸۸۶۲۰۸۵

FarmaSOS.com

Section 6 MAINTENANCE REQUIREMENTS

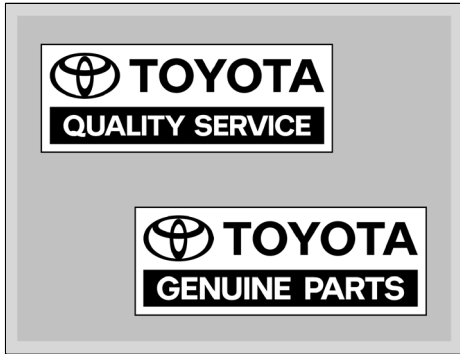
- Maintenance facts 496
- Does your vehicle need repairing? 497

امداد خودرو فارما

تلفن شبانه روزی: ۰۲۱-۸۸۸۶۲۰۸۵

FarmaSOS.com

Maintenance facts



Regular maintenance is essential.

We urge you to protect your new vehicle by having your Toyota serviced according to the maintenance schedule given in the separate booklet. Regular maintenance will aid:

- Good fuel economy
- Long vehicle life
- Driving enjoyment
- Safety
- Reliability
- Warranty coverage
- Compliance with government regulations

Your Toyota has been designed for economical driving and economical maintenance. Many formerly required maintenance items are no longer required or are not required as often. To make sure your vehicle runs at peak efficiency, follow the maintenance schedule.

For full details of your maintenance schedule, read the separate "Toyota Service Booklet" or "Toyota Warranty Booklet".

Where to go for service?

In order to maintain your vehicle in the highest possible condition, Toyota recommends that all repairs and service operations are carried out by authorized Toyota dealers or repairers or other duly qualified and equipped professionals. For repairs and services covered by your warranty, please visit an authorized Toyota dealer or repairer, who will use genuine Toyota parts in repairing any difficulties you may encounter. There can also be advantages to utilizing authorized Toyota dealers or repairers for non-warranty repairs and services, as due to their specialization of working with Toyota vehicles, members of the Toyota network will be able to expertly assist you with any difficulties you may encounter.

Your Toyota dealer or repairer, or another duly qualified and equipped professional service department will perform all of the scheduled maintenance on your vehicle—reliably and economically.

What about do-it-yourself maintenance?

Many of the maintenance items are easy to do yourself if you have a little mechanical ability and a few basic automotive tools. Simple instructions for how to perform them are presented on page 499 in Section 7.

Note, however, that some maintenance tasks require special tools and skills. These are best performed by qualified technicians. Even if you're an experienced do-it-yourself mechanic, we recommend that repairs and maintenance be conducted by an authorized Toyota dealer or repairer, or another duly qualified and equipped professional. Any authorized Toyota dealer or repairer will keep a record of maintenance, which could be useful should you ever require Warranty Service. Should you choose to select a qualified and equipped professional other than an authorized Toyota repairer to service or maintain your vehicle, we recommend that you request that a record of maintenance be kept.

The service interval for scheduled maintenance is determined by the odometer reading or time interval, whichever comes first, shown in the schedule.

Rubber hoses (for cooling and heater system, brake system and fuel system) should be inspected by a qualified technician in accordance with the Toyota maintenance schedule.

They are particularly important maintenance items. Have any deteriorated or damaged hoses replaced immediately. Note that rubber hoses will deteriorate with age, resulting in swelling, chafing or cracks.

Does your vehicle need repairing?

Be on the alert for changes in performance, sounds, and visual tip-offs that indicate service is needed. Some important clues are as follows:

- Engine missing, stumbling, or pinging
- Appreciable loss of power
- Strange engine noises
- A leak under the vehicle (however, water dripping from the air conditioning after use is normal.)
- Change in exhaust sound (This may indicate a dangerous carbon monoxide leak. Drive with the windows open and have the exhaust system checked immediately.)
- Flat-looking tire; excessive tire squeal when cornering; uneven tire wear
- Vehicle pulls to one side when driving straight on a level road
- Strange noises related to suspension movement
- Loss of brake effectiveness; spongy feeling brake or clutch pedal; pedal almost touches floor; vehicle pulls to one side when braking
- Engine coolant temperature continually higher than normal

If you notice any of these clues, take your vehicle to any authorized Toyota dealer or repairer, or another duly qualified and equipped professional, as soon as possible. It probably needs adjustment or repair.



CAUTION

Do not continue driving with the vehicle unchecked. It could result in serious vehicle damage and possibly personal injury.

امداد خودرو فارما

تلفن شبانه روزی: ۰۲۱-۸۸۸۶۲۰۸۵

FarmaSOS.com

Section 7-1 DO-IT-YOURSELF MAINTENANCE

Introduction

- Engine compartment overview 500
- Fuse locations 504
- Do-it-yourself service precautions 505
- Positioning a floor jack 507

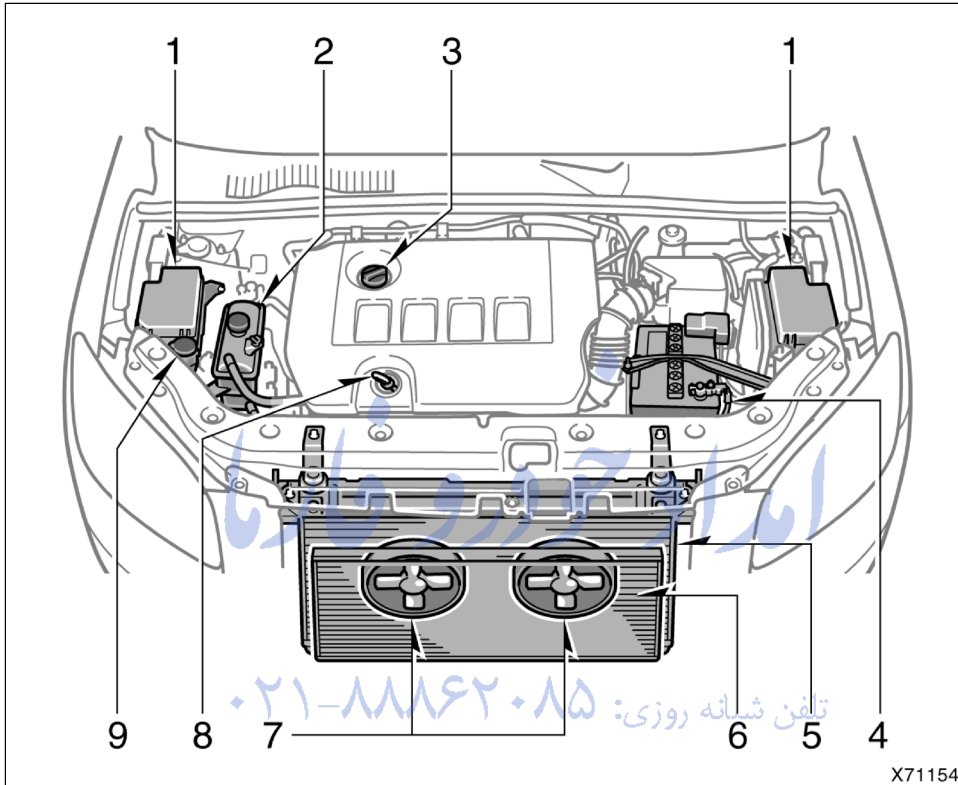
امداد خودرو فارما

تلفن شبانه روزی: ۰۲۱-۸۸۸۶۲۰۸۵

FarmaSOS.com

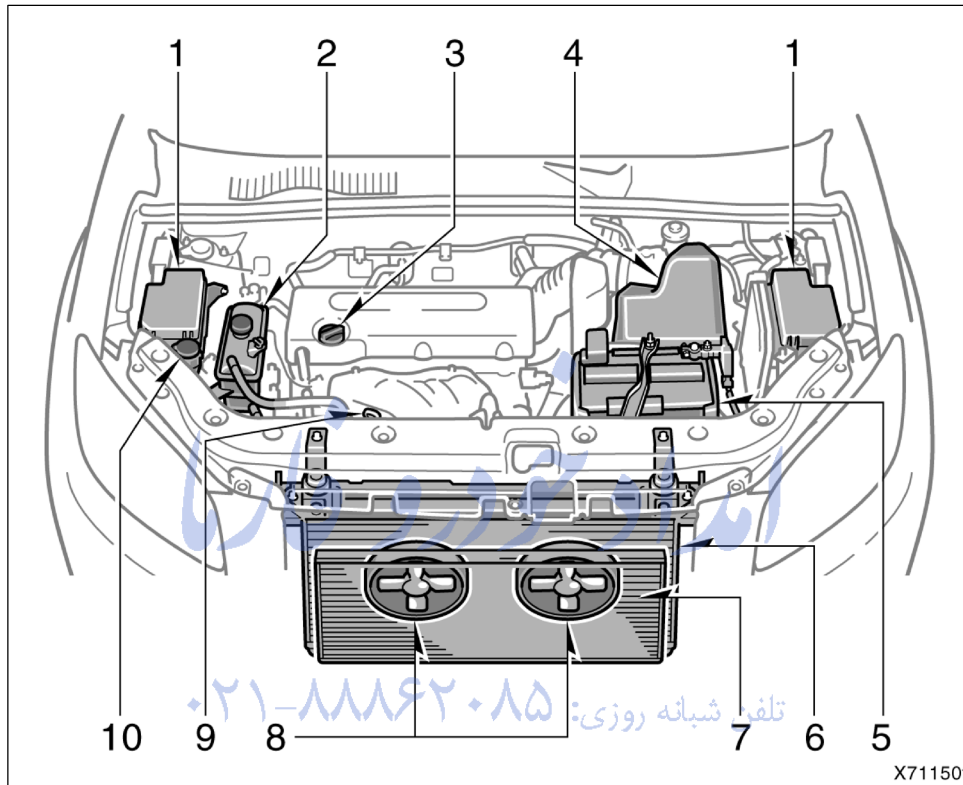
Engine compartment overview

► 3ZR-FAE engine



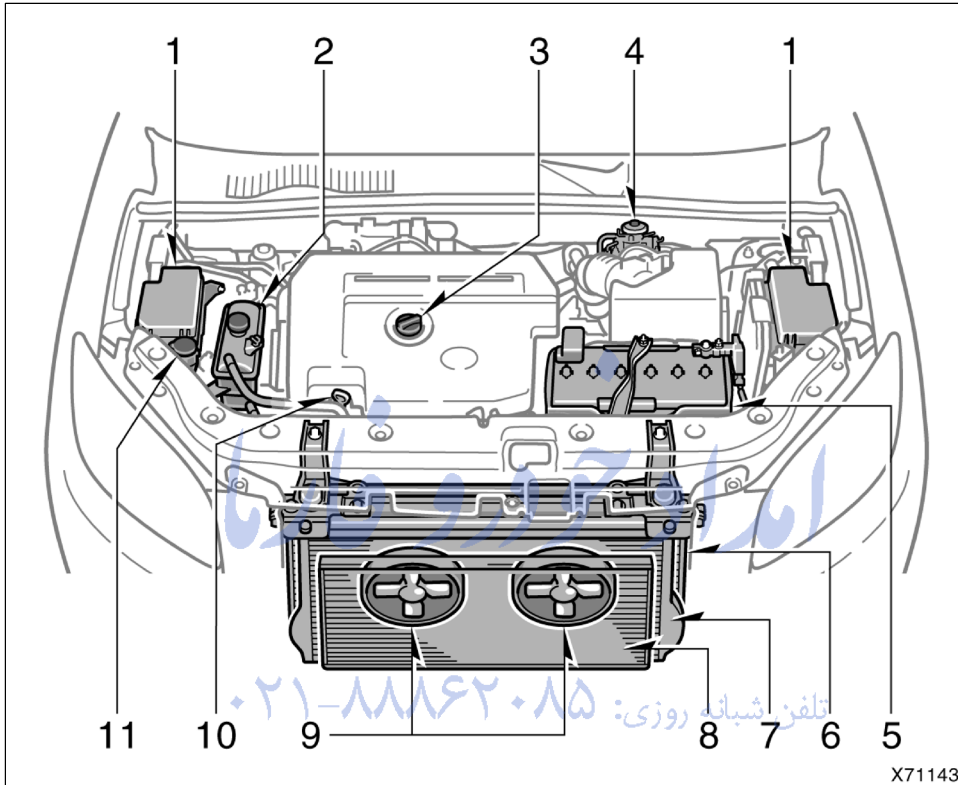
- | | |
|-----------------------------|---|
| 1. Fuse blocks | 6. Condenser |
| 2. Engine coolant reservoir | 7. Electric cooling fans |
| 3. Engine oil filler cap | 8. Engine oil level dipstick |
| 4. Battery | 9. Windshield, rear window washer, and headlight cleaner fluid tank |
| 5. Radiator | |

►1AZ-FE engine



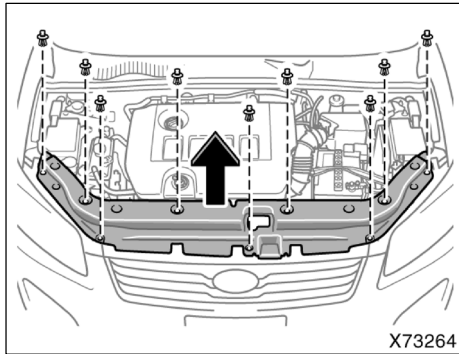
- | | |
|-----------------------------|--|
| 1. Fuse blocks | 6. Radiator |
| 2. Engine coolant reservoir | 7. Condenser |
| 3. Engine oil filler cap | 8. Electric cooling fans |
| 4. Air cleaner | 9. Engine oil level dipstick |
| 5. Battery | 10. Windshield, rear window washer, and headlight cleaner fluid tank |

► 2AD-FTV and 2AD-FHV engines



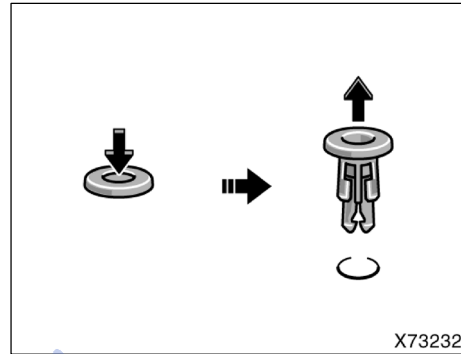
- | | |
|-----------------------------|--|
| 1. Fuse blocks | 7. Intercooler |
| 2. Engine coolant reservoir | 8. Condenser |
| 3. Engine oil filler cap | 9. Electric cooling fans |
| 4. Fuel filter | 10. Engine oil level dipstick |
| 5. Battery | 11. Windshield, rear window washer, and headlight cleaner fluid tank |
| 6. Radiator | |

—Removing the engine compartment cover

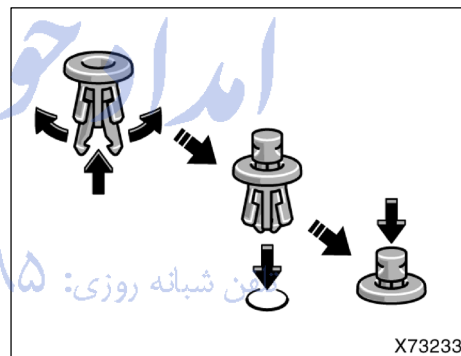


Before performing do-it-yourself maintenance, remove the cover clips. Take off the engine compartment cover as shown in the following illustrations.

Be careful not to lose the removed clips.

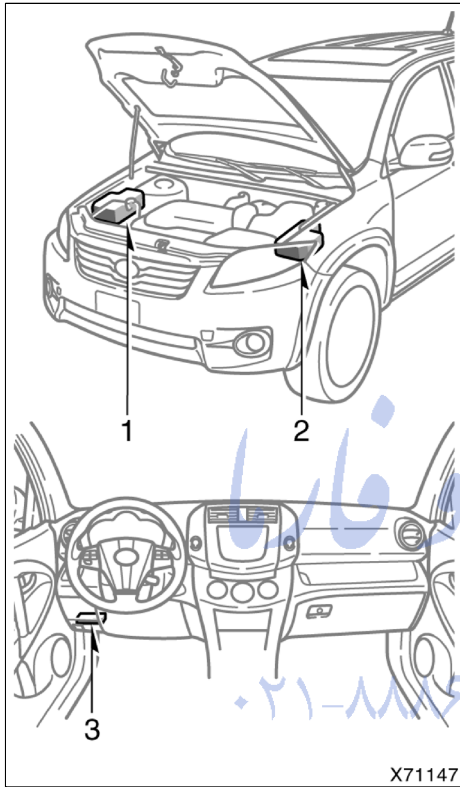


Removing clip

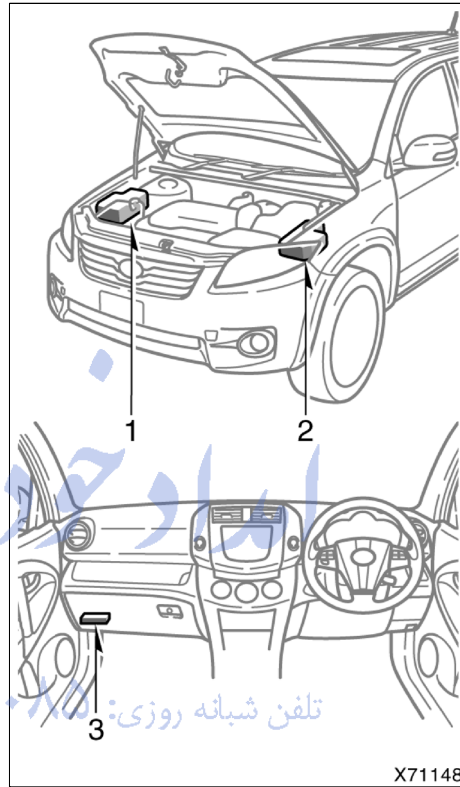


Installing clip

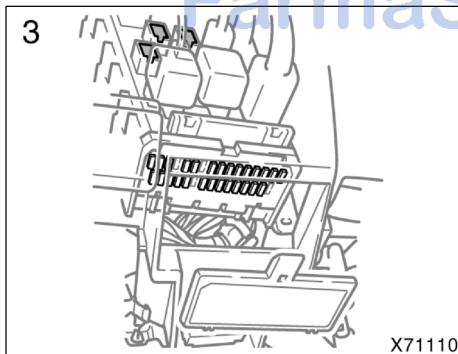
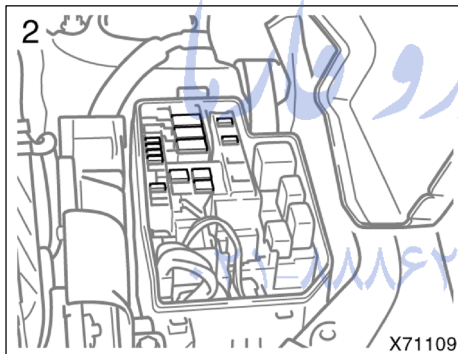
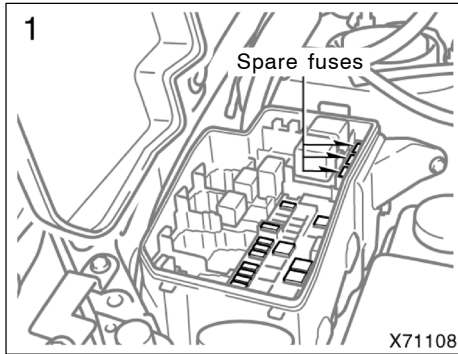
Fuse locations



Left-hand drive vehicles



Right-hand drive vehicles



Do-it-yourself service precautions

If you perform maintenance by yourself, be sure to follow the correct procedure given in this Section.

You should be aware that improper or incomplete servicing may result in operating problems.

This Section gives instructions only for those items that are relatively easy for an owner to perform. As explained in Section 6, there are still a number of items that must be done by a qualified technician with special tools.

Utmost care should be taken when working on your vehicle to prevent accidental injury. Here are a few precautions that you should be especially careful to observe:

CAUTION

- When the engine is running, keep hands, clothing, and tools away from the moving fan and engine drive belts. (Removing rings, watches, and ties is advisable.)
- Right after driving, the engine compartment—the engine, radiator, exhaust manifold and spark plug boots, etc.—will be hot. So be careful not to touch them. Oil, fluids and spark plugs may also be hot.
- If the engine is hot, do not remove the coolant reservoir cap or loosen the drain plugs to prevent burning yourself.
- Do not leave anything that may burn easily, such as paper or rags, in the engine compartment.
- Do not smoke, cause sparks or allow open flames around fuel or the battery. Their fumes are flammable.
- Be extremely cautious when working on the battery. It contains poisonous and corrosive sulfuric acid.

- Do not get under your vehicle with just the body jack supporting it. Always use automotive jack stands or other solid supports.
- Be sure that the engine is off if you work near the electric cooling fans or radiator grille. With the engine on, the electric cooling fans will automatically start to run if the engine coolant temperature is high and/or the air conditioning is on.
- Use eye protection whenever you work on or under your vehicle where you may be exposed to flying or falling material, fluid spray, etc.
- Used engine oil contains potentially harmful contaminants which may cause skin disorders such as inflammation or skin cancer, so care should be taken to avoid prolonged and repeated contact with it. To remove used engine oil from your skin, wash thoroughly with soap and water.
- Do not leave used oil within the reach of children.
- Dispose of used oil and filter only in a safe and acceptable manner. Do not dispose of used oil and filter in household trash, in sewers or onto the ground. Call your dealer or a service station for information concerning recycling or disposal.

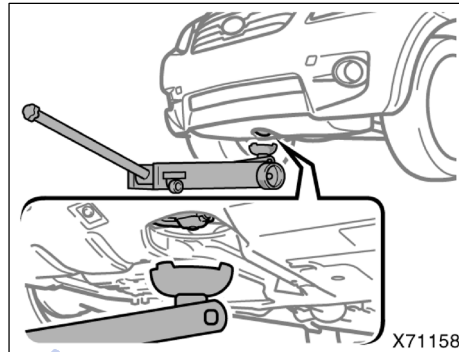
- Take care when filling the brake and clutch fluid reservoirs because brake fluid can harm your hands or eyes. If fluid gets on your hands or in your eyes, flush the affected area with clean water immediately. If you still feel uncomfortable with your hands or eyes, go to the doctor.

NOTICE

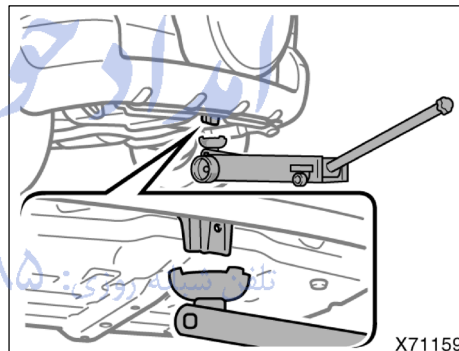
- ◆ Remember that battery and ignition cables carry high currents or voltages. Be careful of accidentally causing a short circuit.
- ◆ Add only "Toyota Super Long Life Coolant" or similar high quality ethylene glycol based non-silicate, non-amine, non-nitrite, and non-borate coolant with long-life hybrid organic acid technology to fill the radiator. "Toyota Super Long Life Coolant" is a mixture of 50% coolant and 50% deionized water.
- ◆ If you spill some of the coolant, be sure to wash it off with water to prevent it from damaging the parts or paint.
- ◆ Do not allow dirt or anything else to fall through the spark plug holes.
- ◆ Do not pry the outer electrode of a spark plug against the center electrode.
- ◆ Use only spark plugs of the specified type. Using other types will cause engine damage, loss of performance or radio noise.
- ◆ Do not reuse iridium-tipped spark plugs by cleaning or regapping.
- ◆ Automatic transmission or Multidrive—Do not overfill transmission fluid, or the transmission could be damaged.

- ◆ *If you spill brake fluid, be sure to wash it off with water to prevent it from damaging the parts or paint.*
- ◆ *Do not drive with the air cleaner filter removed, or excessive engine wear could result. Also backfiring could cause a fire in the engine compartment.*
- ◆ *Be careful not to scratch the glass surface with the wiper frame.*
- ◆ *When closing the engine hood, check to see that you have not forgotten any tools, rags, etc.*

Positioning a floor jack



Front



Rear

When jacking up your vehicle with the floor jack, position the jack correctly as shown in the illustrations.

**CAUTION**

When jacking, be sure to observe the following to reduce the possibility of death or serious injury:

- When using a floor jack, follow the instructions of the manual provided with the jack.
- Do not put any part of your body under the vehicle supported by the floor jack. Always use floor jack and/or automotive jack stand on a solid, flat, level surface. Personal injury may occur.
- Do not start or run the engine while your vehicle is supported by the floor jack.
- Stop the vehicle on a level firm ground, firmly set the parking brake and put the transmission in "P" (automatic transmission or Multidrive) or reverse (manual transmission). Block the wheels on the opposite side of the floor jack up point if necessary.
- Make sure to set the floor jack properly in the jack point. Raising the vehicle with floor jack improperly positioned will damage the vehicle or may allow the vehicle to fall off the floor jack and cause personal injury.
- Never get under the vehicle when the vehicle is supported by the floor jack alone; use vehicle support stands.
- Do not raise the vehicle with someone in the vehicle.
- When raising the vehicle, do not place any objects on top of or underneath the floor jack.

NOTICE

Make sure to place the floor jack correctly, or your vehicle may be damaged.

Section 7-2 DO-IT-YOURSELF MAINTENANCE

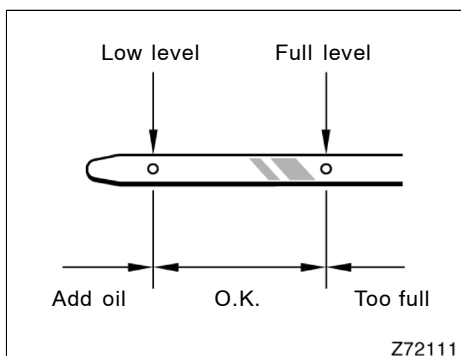
Engine and Chassis

- Checking the engine oil level 510
- Checking the engine coolant level 516
- Checking the radiator, condenser and intercooler 517
- Checking tire inflation pressure 518
- Checking and replacing tires 519
- Rotating tires 520
- Installing snow tires and chains 521
- Replacing wheels 523
- Aluminum wheel precautions 524

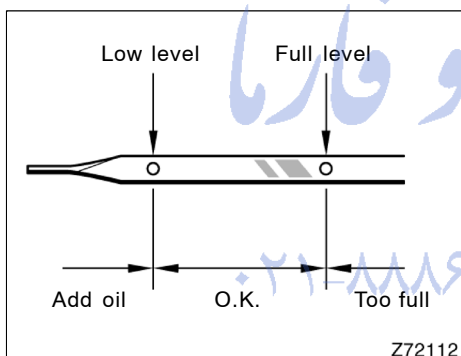
امداد خودرو فارما
تلفن شبانه روزی: ۰۲۱-۸۸۸۶۲۰۸۵

FarmaSOS.com

Checking the engine oil level



Type A



Type B

With the engine at operating temperature and turned off, check the oil level on the dipstick.

1. To get a correct reading, the vehicle should be on level ground. After turning off the engine, wait more than five minutes for the oil to drain back into the bottom of the engine.
2. Pull the dipstick out, hold a rag under the end and wipe it clean.
3. Reinsert the dipstick—push it in as far as it will go, or the reading will not be correct.
4. Pull the dipstick out and look at the oil level while holding a rag under the end.

CAUTION

Be careful not to touch the hot exhaust manifold.

NOTICE

Be careful not to drop engine oil on the vehicle components.

If the oil level is below or only slightly above the low level, add engine oil of the same type as already in the engine.

Remove the oil filler cap and add engine oil in small quantities at a time, checking the dipstick. We recommend that you use a funnel when adding oil.

The approximate quantity of oil needed to raise the level between low and full on the dipstick is indicated as follows:

3ZR-FAE, 2AD-FTV and 2AD-FHV engines

1.5 L (1.6 qt., 1.3 Imp. qt.)

1AZ-FE engine

1.8 L (1.9 qt., 1.6 Imp. qt.)

For the engine oil capacity, see "Service specifications" on page 550 in Section 8.

When the level reaches within the correct range, install the filler cap hand-tight.

NOTICE

◆ Be careful not to spill engine oil on the vehicle components.

◆ Avoid overfilling, or the engine could be damaged.

◆ Check the oil level on the dipstick once again after adding the oil.

ENGINE OIL SELECTION

3ZR-FAE engine—

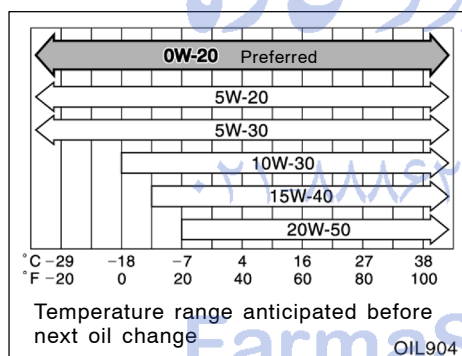
“Toyota Genuine Motor Oil” is used in your Toyota vehicle. Toyota recommends the use of approved “Toyota Genuine Motor Oil”. Another motor oil of matching quality can also be used.

Oil grade:

0W-20, 5W-20, 5W-30 and 10W-30:
 API grade SL “Energy-Conserving”,
 SM “Energy-Conserving”, SN
 “Resource-Conserving” or ILSAC
 multigrade engine oil

15W-40 and 20W-50:
 API grade SL, SM or SN multigrade
 engine oil

Recommended viscosity (SAE):



SAE 0W-20 is filled into your Toyota vehicle at manufacturing, and the best choice for good fuel economy and good starting in cold weather.

If SAE 0W-20 oil is not available, SAE 5W-30 oil may be used. However, it should be replaced with SAE 0W-20 at the next oil change.

If you use SAE 10W-30 or a higher viscosity engine oil in extremely low temperatures, the engine may become difficult to start, so SAE 5W-30 or lower viscosity engine oil is recommended.

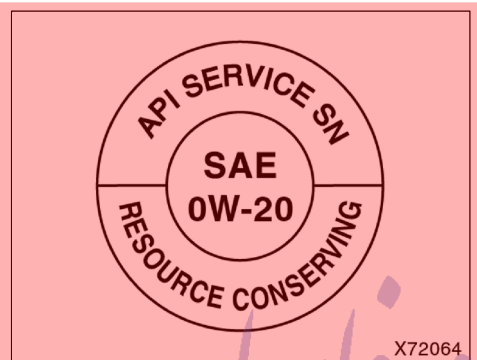
The 0W portion of the oil viscosity rating indicates the characteristic of the oil which allows cold startability. Oils with a lower value before the W allow for easier starting of the engine in cold weather.

The 20 in 0W-20 indicates the oil viscosity when the oil is at its operating temperature. An oil with a higher viscosity may be better suited if the vehicle is operated at high speeds, or under extreme load conditions.

تلفن شبانه روزی: ۰۲۷۸۸۵۴۰۸۵
 FarmaSOS.com

How to read oil container labels

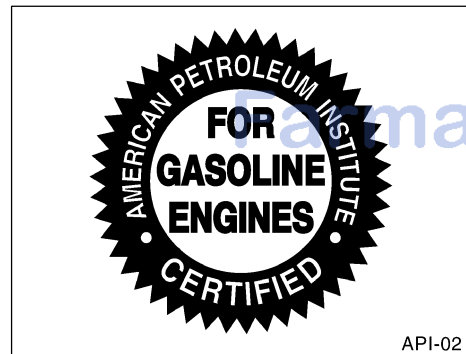
Either or both API registered marks are added to some oil containers to help you select the oil you should use.



API Service Symbol

Top portion: The oil quality designation by API (American Petroleum Institute) (SN)
Center portion: The SAE viscosity grade (SAE 0W-20)

Lower portion: "Resource-Conserving" means that the oil has fuel saving and environmental protection capabilities.



ILSAC Certification Mark

The ILSAC (International Lubricant Standardization and Approval Committee) Certification Mark is displayed on the front of the container.

1AZ-FE engine—

"Toyota Genuine Motor Oil" is used in your Toyota vehicle. Toyota recommends the use of approved "Toyota Genuine Motor Oil". Another motor oil of matching quality can also be used.

Oil grade:

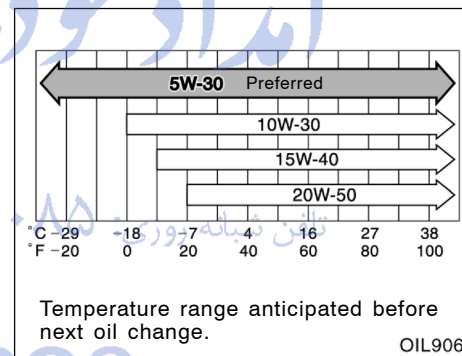
5W-30 and 10W-30:

API grade SL "Energy-Conserving", SM "Energy-Conserving", SN "Resource-Conserving" or ILSAC multigrade engine oil

15W-40 and 20W-50:

API grade SL, SM or SN multigrade engine oil

Recommended viscosity (SAE):



SAE 5W-30 is filled into your Toyota vehicle at manufacturing, and the best choice for good fuel economy and good starting in cold weather.

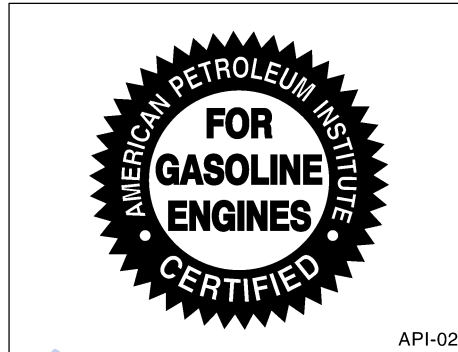
If you use SAE 10W-30 or a higher viscosity engine oil in extremely low temperatures, the engine may become difficult to start, so SAE 5W-30 engine oil is recommended.

The 5W portion of the oil viscosity rating indicates the characteristic of the oil which allows cold startability. Oils with a lower value before the W allow for easier starting of the engine in cold weather.

The 30 in 5W-30 indicates the oil viscosity when the oil is at its operating temperature. An oil with a higher viscosity may be better suited if the vehicle is operated at high speeds, or under extreme load conditions.

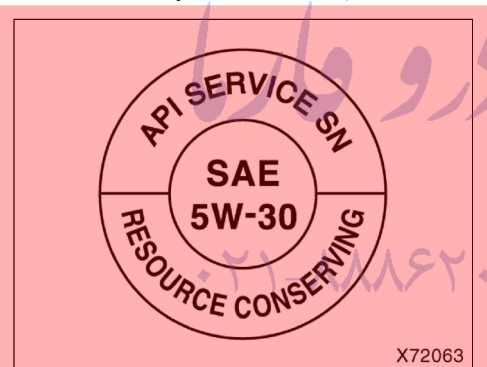
How to read oil container labels

Either or both API registered marks are added to some oil containers to help you select the oil you should use.



ILSAC Certification Mark

The ILSAC (International Lubricant Standardization and Approval Committee) Certification Mark is displayed on the front of the container.



API Service Symbol

Top portion: The oil quality designation by API (American Petroleum Institute) (SN)

Center portion: The SAE viscosity grade (SAE 5W-30)

Lower portion: "Resource-Conserving" means that the oil has fuel saving and environmental protection capabilities.

2AD-FTV (without DPF catalytic converter) engine—

“Toyota Genuine Motor Oil” is used in your Toyota vehicle. Toyota recommends the use of approved “Toyota Genuine Motor Oil”. Another motor oil of matching quality can also be used.

Oil grade:

Diesel fuel that contains between 50 ppm and 500 ppm of sulfur—

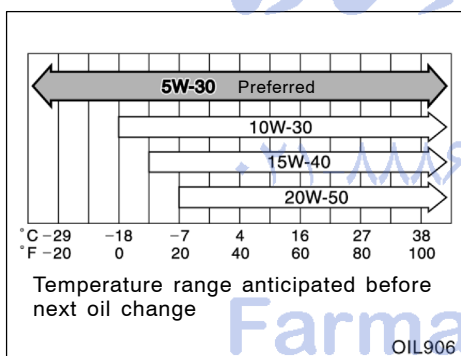
ACEA B1, API CF-4 or CF

Diesel fuel that contains 50 ppm or less of sulfur—

ACEA C2, B1, API CF-4 or CF

Recommended viscosity (SAE):

Diesel fuel that contains between 50 ppm and 500 ppm of sulfur—



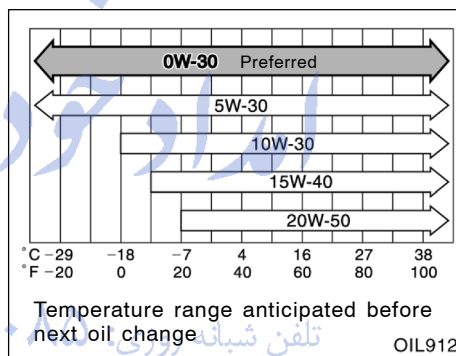
SAE 5W-30 is filled into your Toyota vehicle at manufacturing, and the best choice for good fuel economy and good starting in cold weather.

If you use SAE 10W-30 or a higher viscosity engine oil in extremely low temperatures, the engine may become difficult to start, so SAE 5W-30 engine oil is recommended.

The 5W portion of the oil viscosity rating indicates the characteristic of the oil which allows cold startability. Oils with a lower value before the W allow for easier starting of the engine in cold weather.

The 30 in 5W-30 indicates the oil viscosity when the oil is at its operating temperature. An oil with a higher viscosity may be better suited if the vehicle is operated at high speeds, or under extreme load conditions.

Diesel fuel that contains 50 ppm or less of sulfur—



SAE 0W-30 is filled into your Toyota vehicle at manufacturing, and the best choice for good fuel economy and good starting in cold weather.

If you use SAE 10W-30 or a higher viscosity engine oil in extremely low temperatures, the engine may become difficult to start, so SAE 5W-30 or 0W-30 engine oil is recommended.

The 0W portion of the oil viscosity rating indicates the characteristic of the oil which allows cold startability. Oils with a lower value before the W allow for easier starting of the engine in cold weather.

The 30 in 0W-30 indicates the oil viscosity when the oil is at its operating temperature. An oil with a higher viscosity may be better suited if the vehicle is operated at high speeds, or under extreme load conditions.

2AD-FTV (with DPF catalytic converter) and 2AD-FHV (with DPNR catalytic converter) engines—

“Toyota Genuine Motor Oil” is used in your Toyota vehicle. Toyota recommends the use of approved “Toyota Genuine Motor Oil”. Another motor oil of matching quality can also be used.

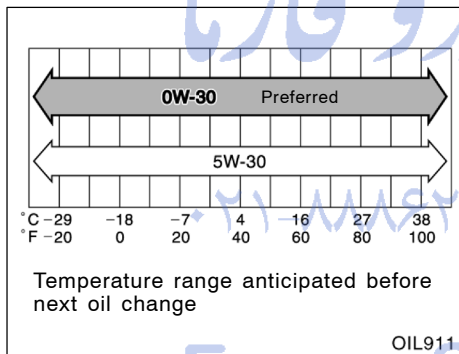
Oil grade:

ACEA C2

NOTICE

Using engine oil other than ACEA C2 may damage the catalytic converter.

Recommended viscosity (SAE):



SAE 0W-30 is filled into your Toyota vehicle at manufacturing, and the best choice for good fuel economy and good starting in cold weather.

The 0W portion of the oil viscosity rating indicates the characteristic of the oil which allows cold startability. Oils with a lower value before the W allow for easier starting of the engine in cold weather.

The 30 in 0W-30 indicates the oil viscosity when the oil is at its operating temperature. An oil with a higher viscosity may be better suited if the vehicle is operated at high speeds, or under extreme load conditions.



To ensure excellent lubrication performance for your engine, Toyota recommends the use of “Toyota Genuine Motor Oil”, which has been specifically tested and approved for all Toyota engines.

Please contact any authorized Toyota dealer or repairer for further details about “Toyota Genuine Motor Oil”. Other motor oils of matching quality can also be used.

تلفن شبانه روزی: ۰۸۵-۱۱۱۱۱۱۱۱
 FarmaSOS.com

Checking the engine coolant level

Look at the see-through coolant reservoir when the engine is cold. The coolant level is satisfactory if it is between the "FULL" and "LOW" lines on the reservoir. If the level is low, add the coolant. (For the coolant type, see "Coolant type selection" described below.)

The coolant level in the reservoir will vary with engine temperature. However, if the level is below the "LOW" line, add coolant. Bring the level between the "FULL" and "LOW" lines.

If the coolant level drops within a short time after replenishing, there may be a leak in the system. Visually check the radiator, hoses, coolant reservoir cap and drain cock and water pump.

If you can find no leak, have any authorized Toyota dealer or repairer, or another duly qualified and equipped professional, test the cap pressure and check for leaks in the cooling system.

Coolant type selection

Use of improper coolants may damage your engine cooling system.

Only use "Toyota Super Long Life Coolant" or similar high quality ethylene glycol based non-silicate, non-amine, non-nitrite, and non-borate coolant with long-life hybrid organic acid technology. (Coolant with long-life hybrid organic acid technology is a combination of low phosphates and organic acids.)

"Toyota Super Long Life Coolant" is a mixture of 50% coolant and 50% deionized water. This coolant provides protection down to about -35°C (-31°F).

NOTICE

Do not use plain water alone.



CAUTION

To prevent burning yourself, do not remove the coolant reservoir cap when the engine is hot.



Toyota recommends "Toyota Super Long Life Coolant", which has been tested to ensure that it will not cause corrosion nor result in malfunction of your engine coolant system with proper usage. "Toyota Super Long Life Coolant" is formulated with long-life hybrid organic acid technology and has been specifically designed to avoid engine cooling system malfunction on Toyota vehicles.

Please contact any authorized Toyota dealer or repairer for further details.

Checking the radiator, condenser and intercooler

If any of the above parts are extremely dirty or you are not sure of their condition, take your vehicle to any authorized Toyota dealer or repairer, or another duly qualified and equipped professional.

CAUTION

To prevent burning yourself, be careful not to touch the radiator, condenser or intercooler when the engine is hot.

NOTICE

To prevent damage to the radiator, condenser and intercooler, do not perform the work by yourself.

Checking tire inflation pressure

Keep your tire inflation pressures at the proper level.

The recommended cold tire inflation pressures and tire sizes are given on page 557 in Section 8.

You should check the tire inflation pressure every two weeks, or at least once a month. And do not forget the spare!

Incorrect tire inflation pressure may waste fuel, reduce the comfort of driving, reduce tire life and make your vehicle less safe to drive.

If a tire frequently needs refilling, have it checked by any authorized Toyota dealer or repairer, or another duly qualified and equipped professional.

The following instructions for checking tire inflation pressure should be observed:

- **The pressure should be checked only when the tires are cold.** If your vehicle has been parked for at least 3 hours and has not been driven for more than 1.5 km or 1 mile since, you will get an accurate cold tire inflation pressure reading.
- **Always use a tire pressure gauge.** The appearance of a tire can be misleading. Besides, tire inflation pressures that are even just a few pounds off can degrade ride and handling.
- **Do not bleed or reduce tire inflation pressure after driving.** It is normal for the tire inflation pressure to be higher after driving.
- **Be sure to reinstall the tire valve caps.** Without the valve caps, dirt or moisture could get into the valve core and cause air leakage. If the caps have been lost, have new ones put on as soon as possible.

CAUTION

Keep your tires properly inflated. Otherwise, the following conditions may occur and cause an accident resulting in death or serious injuries.

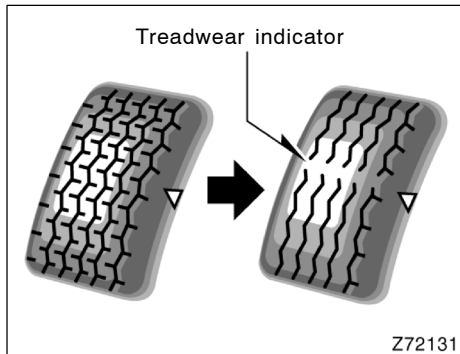
Low tire pressure (underinflation)—

- Excessive wear
- Uneven wear
- Poor handling
- Possibility of blowouts from an overheated tire
- Poor sealing of the tire bead
- Wheel deformation and/or tire separation
- A greater possibility of tire damage from road hazards

High tire pressure (overinflation)—

- Poor handling
- Excessive wear
- Uneven wear
- A greater possibility of tire damage from road hazards

Checking and replacing tires



CHECKING YOUR TIRES

Check the tire's tread for treadwear indicators. If the indicators show, replace the tires. The location of treadwear indicators is shown by the "TWI" or "Δ" marks, etc., molded on the sidewall of each tire.

The tires on your Toyota have built-in treadwear indicators to help you know when the tires need replacement. When the tread depth wears to 1.6 mm (0.06 in.) or less, the indicators will appear. If you can see the indicators in two or more adjacent grooves, the tire should be replaced. The lower the tread, the higher the risk of skidding.

The effectiveness of snow tires is lost if the tread wears down below 4 mm (0.16 in.).

If you have tire damage such as cuts, splits, cracks deep enough to expose the fabric, or bulges indicating internal damage, the tire should be replaced.

If a tire often goes flat or cannot be properly repaired due to the size or location of a cut or other damage, it should be replaced. If you are not sure, consult with any authorized Toyota dealer or repairer, or another duly qualified and equipped professional.

If air loss occurs while driving, do not continue driving. Driving even a short distance can damage a tire beyond repair.

Any tires which are over 6 years old must be checked by a qualified technician even if damage is not obvious.

Tires deteriorate with age even if they have never or seldom been used.

This applies also to the spare tire and tires stored for future use.

REPLACING YOUR TIRES

When replacing a tire, use a tire of the same size and construction, and the same or greater load capacity as the originally installed tires. Also, on four-wheel drive models, all the tires must be the same brand and have the same tread patterns.

Using any other size or type of tire may seriously affect handling, ride, speedometer/odometer calibration, ground clearance, and clearance between the body and tires or snow chains.

CAUTION

Observe the following instructions. Otherwise, an accident may occur resulting in death or serious injuries.

- Do not mix radial, bias belted, or bias-ply tires on your vehicle, as this may cause dangerous handling characteristics resulting in loss of control.
- Do not use tires other than the manufacturer's recommended size, as this may cause dangerous handling characteristics resulting in loss of control.
- Do not mix tires of different makes, models or tread patterns, and do not mix tires of remarkably different treadwear. This may cause dangerous handling characteristics resulting in loss of control.

Never use second-hand tires on your Toyota.

Using tires whose previous history is unknown is a risk.

Toyota recommends all four tires, or at least both front or rear tires be replaced at a time as a set.

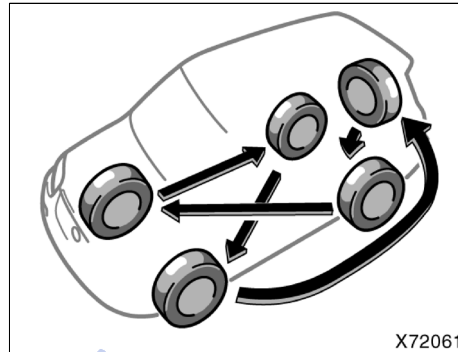
See "If you have a flat tire" on page 459 in Section 4 for tire change procedure.

When a tire is replaced, the wheel should always be balanced.

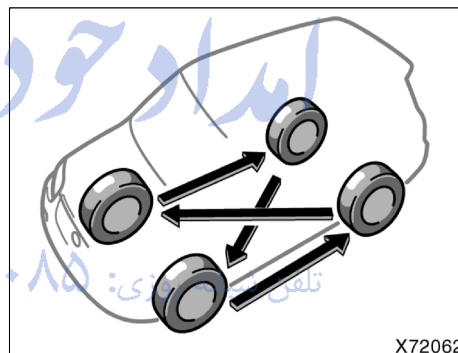
An unbalanced wheel may affect vehicle handling and tire life. Wheels can get out of balance with regular use and should therefore be balanced occasionally.

When replacing a tubeless tire, the air valve should also be replaced with a new one.

Rotating tires



With spare tire



Without spare tire

To equalize tire wear and help extend tire life, Toyota recommends that you rotate your tires approximately at the following intervals:

Two-wheel drive models
Every 10000 km (6000 miles)

Four-wheel drive models
Every 5000 km (3000 miles)

However, the most appropriate timing for tire rotation may vary according to your driving habits and road surface conditions.

See "If you have a flat tire" on page 459 in Section 4 for tire change procedure.

When rotating tires, check for uneven wear and damage. Abnormal wear is usually caused by incorrect tire pressure, improper wheel alignment, out-of-balance wheels, or severe braking.

Installing snow tires and chains

WHEN TO USE SNOW TIRES OR CHAINS

Snow tires or chains are recommended when driving on snow or ice.

On wet or dry roads, conventional tires provide better traction than snow tires.

SNOW TIRE SELECTION

If you need snow tires, select tires of the same size, construction and load capacity as the originally installed tires. Also, on four-wheel drive models, all the tires must be the same brand and have the same tread patterns.

Do not use tires other than those mentioned above. Do not install studded tires without first checking local regulations for possible restrictions.

CAUTION

Observe the following instructions. Otherwise, an accident may occur resulting in death or serious injuries.

- Do not use snow tires other than the manufacturer's recommended size, as this may cause dangerous handling characteristics resulting in loss of control.
- Four-wheel drive models:
Do not use snow tires of different brands, sizes, construction or tread patterns, as this may cause dangerous handling characteristics resulting in loss of control.


SNOW TIRE INSTALLATION

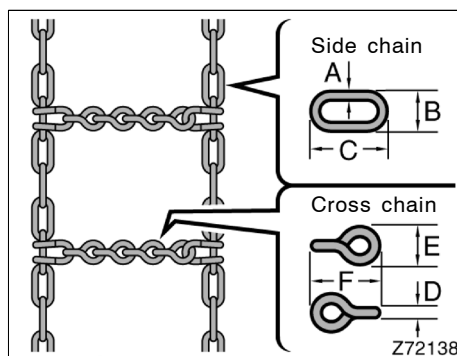
Snow tires should be installed on all wheels.

Installing snow tires on the front wheels only can lead to an excessive difference in road grip capability between the front and rear tires, which could cause loss of vehicle control.

When storing removed tires, you should store them in a cool dry place.

Mark the direction of rotation and be sure to install them in the same direction when replacing.

 CAUTION	
●	Do not drive with the snow tires incorrectly inflated.
●	Observe permissible maximum speed for your snow tires and the legal speed limit.



TIRE CHAIN SELECTION

Use the tire chains of correct size.

Use the following type chains.

	mm (in.)
A Diameter of side chain	3 (0.12)
B Width of side chain	10 (0.39)
C Length of side chain	30 (1.18)
D Diameter of cross chain	4 (0.16)
E Width of cross chain	14 (0.55)
F Length of cross chain	25 (0.98)

Regulations regarding the use of tire chains vary according to location or type of road, so always check local regulations before installing chains.

NOTICE	
<i>If the wrong combination of tire and chain is used, the chains could damage the vehicle body.</i>	

CHAIN INSTALLATION

Install the chains on the front tires as tightly as possible. Do not use tire chains on the rear tires. Retighten chains after driving 0.5—1.0 km (1/4—1/2 mile).

When installing chains on your tires, carefully follow the instructions of the chain manufacturer.

If wheel covers are used, they will be scratched by the chain band, so remove the covers before putting on the chains.

 **CAUTION**

- Do not exceed 50 km/h (30 mph) or the chain manufacturer's recommended speed limit, whichever is lower.
- Drive carefully, avoiding bumps, holes, and sharp turns which may cause the vehicle to bounce.
- Avoid sharp turns or locked-wheel braking, as use of chains may adversely affect vehicle handling.
- When driving with chains installed, be sure to drive carefully. Slow down before entering curves to avoid losing control of the vehicle. Otherwise an accident may occur.

Replacing wheels

WHEN TO REPLACE YOUR WHEELS

If you have wheel damage such as bending, cracks or heavy corrosion, the wheel should be replaced.

If you fail to replace a damaged wheel, the tire may slip off the wheel or cause loss of handling control.

WHEEL SELECTION

When replacing wheels, care should be taken to ensure that the wheels are replaced by ones with the same load capacity, diameter, rim width, and inset*.

Correct replacement wheels are available at any authorized Toyota dealer or repairer, or another duly qualified and equipped professional.

A wheel of a different size or type may adversely affect handling, wheel and bearing life, brake cooling, speedometer/odometer calibration, stopping ability, headlight aim, bumper height, vehicle ground clearance, and tire or snow chain clearance to the body and chassis.

Replacement with used wheels is not recommended as they may have been subjected to rough treatment or high mileage and could fail without warning. Also, bent wheels which have been straightened may have structural damage and therefore should not be used. Never use an inner tube in a leaking wheel which is designed for a tubeless tire.

**CAUTION**

Observe the following instructions. Otherwise, an accident may occur resulting in death or serious injuries.

- Do not use wheels other than the manufacturer's recommended size, as this may cause dangerous handling characteristics resulting in loss of control.
- Four-wheel drive models:
Do not use wheels of different brands, sizes and types, as this may cause dangerous handling characteristics resulting in loss of control.
- Be sure to install the wheel nuts with the tapered end facing inward, see "—Reinstalling wheel nuts" on page 467 in Section 4.

Aluminum wheel precautions

- When installing aluminum wheels, check that the wheel nuts are tight after driving your vehicle the first 1600 km (1000 miles).
- If you have rotated, repaired, or changed your tires, check that the wheel nuts are still tight after driving 1600 km (1000 miles).
- When using tire chains, be careful not to damage the aluminum wheels.
- Toyota recommends the use of Toyota genuine wheel nuts and wrench designed for your aluminium wheels. Other nuts and wrenches of matching quality can also be used.
- When balancing your wheels, Toyota recommends the use of Toyota genuine balance weights. Other balance weights can also be used.
- As with any wheel, periodically check your aluminum wheels for damage. If damaged, replace immediately.

*: Conventionally referred to as "offset".

تلفن شبانه روزی: ۰۲۱-۸۸۶۲۰۸۵

FarmaSOS.com

Section 7-3 DO-IT-YOURSELF MAINTENANCE

Electrical components

- Checking battery condition 526
- Battery recharging precautions 529
- Checking and replacing fuses 529
- Adding washer fluid 531
- Replacing light bulbs 532

امداد خودرو فارما

تلفن شبانه روزی: ۰۲۱-۸۸۸۶۲۰۸۵

FarmaSOS.com

Checking battery condition— —Precautions

CAUTION

BATTERY PRECAUTIONS

The battery produces flammable and explosive hydrogen gas.

- Do not cause a spark from the battery with tools.
- Do not smoke or light a match near the battery.

The electrolyte contains poisonous and corrosive sulfuric acid.

- Avoid contact with eyes, skin or clothes.
- Never ingest electrolyte.
- Wear protective safety glasses when working near the battery.
- Keep children away from the battery.

EMERGENCY MEASURES

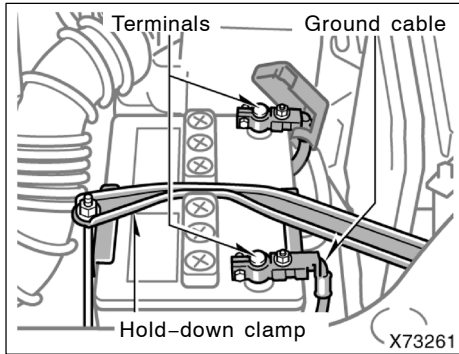
- If electrolyte gets in your eyes, flush your eyes with clean water immediately and get immediate medical attention. If possible, continue to apply water with a sponge or cloth while en route to the medical office.
- If electrolyte gets on your skin, thoroughly wash the contact area. If you feel pain or burning, get medical attention immediately.
- If electrolyte gets on your clothes, there is a possibility of its soaking through to your skin, so immediately take off the exposed clothing and follow the procedure above, if necessary.
- If you accidentally swallow electrolyte, drink a large quantity of water or milk. Follow with milk of magnesia, beaten raw egg or vegetable oil. Then go immediately for emergency help.

The electricity stored in the battery will discharge gradually even when the vehicle is not in use, due to natural discharge and the draining effects of certain electrical appliances. If the vehicle is left for a long time, the battery may discharge, and the engine may be unable to start. (The battery recharges automatically during driving.)

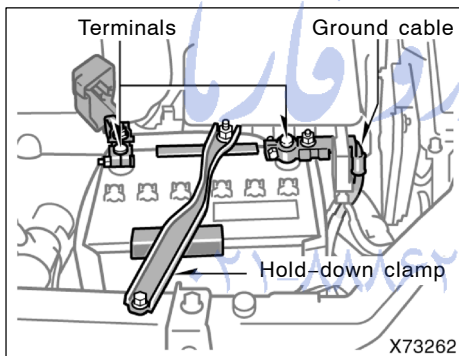
The meanings of each caution symbol on the top of the battery are as follows:

	No smoking, no naked flames, no sparks
	Shield eyes
	Keep away from children
	Battery acid
	Note operating instructions
	Explosive gas

—Checking battery exterior



3ZR-FAE engine



1AZ-FE, 2AD-FTV and 2AD-FHV engines

- c. Tighten the hold-down clamp only enough to keep the battery firmly in place. Overtightening may damage the battery case.

NOTICE

- ◆ **Be sure the engine and all accessories are off before performing maintenance.**
- ◆ **When checking the battery, remove the ground cable from the negative terminal (“-” mark) first and reinstall it last.**
- ◆ **Be careful not to cause a short circuit with tools.**
- ◆ **Take care no solution gets into the battery when washing it.**

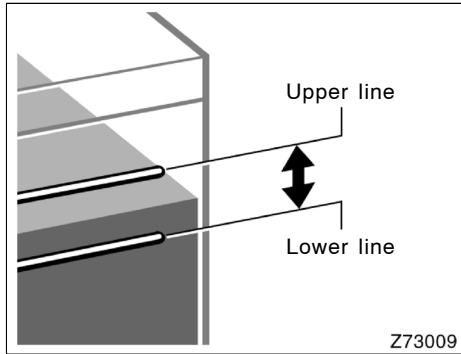
If the battery is disconnected or run down, the smart entry and start system, the power window and moon roof may not operate correctly after you reconnect, replace or recharge the battery. In any of these cases, you should normalize each system. To normalize them, see “Smart entry and start system” on page 48, “Power windows” on page 67 and “Electric moon roof” on page 78 in Section 1-2.

Before replacing the battery, remove the engine compartment cover. (See “—Removing the engine compartment cover” on page 503 in Section 7-1.)

Check the battery for corroded or loose terminal connections, cracks, or loose hold-down clamp.

- a. If the battery is corroded, wash it off with a solution of warm water and baking soda. Coat the outside of the terminals with grease to prevent further corrosion.
- b. If the terminal connections are loose, tighten their clamp nuts—but do not overtighten.

—Checking battery fluid

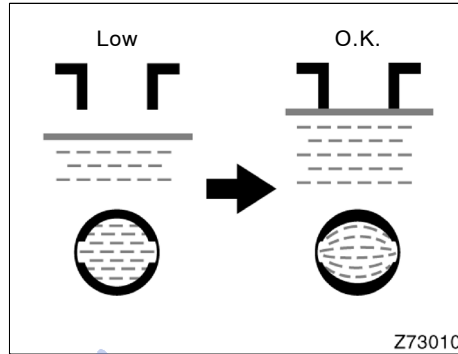


CHECKING BY FLUID LEVEL LINES

The fluid (electrolyte) level must be between the upper and lower lines.

When checking the fluid level, look at all six cells, not just one or two.

If the level is lower than the lower line, add distilled water. (See "ADDING DISTILLED WATER" on page 528.)



ADDING DISTILLED WATER

1. Remove the vent plugs.
2. Add distilled water to cells needing fluid.

If the side of your battery is covered, check the water level by looking down directly above the cell as illustrated above.

3. Retighten the vent plugs securely.

NOTICE

Do not overfill the cells. Excess electrolyte could squirt out of the battery during heavy charging, causing corrosion or damage.

تلفن: ۰۲۱-۸۸۶۲۰۸۵

FarmaSOS.com

Battery recharging precautions

During recharging, the battery is producing hydrogen gas.

Therefore, before recharging:

1. If recharging with the battery installed on the vehicle, be sure to disconnect the ground cable.
2. Be sure the power switch on the recharger is off when connecting the charger cables to the battery and when disconnecting them.

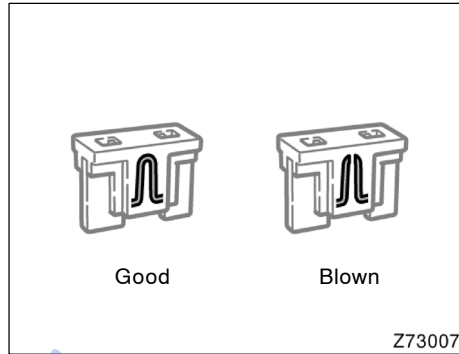
CAUTION

Always charge the battery in an unconfined area. Do not charge the battery in a garage or closed room where there is not sufficient ventilation.

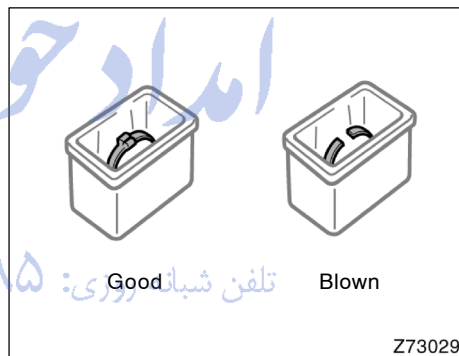
NOTICE

Never recharge the battery while the engine is running. Also, be sure all accessories are turned off.

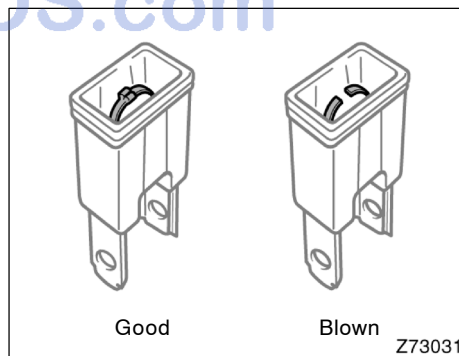
Checking and replacing fuses



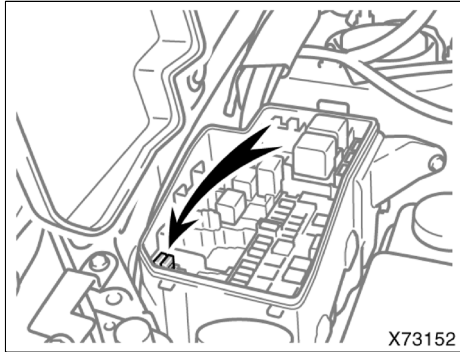
Type A



Type B



Type C



If the headlights or other electrical components do not work, check the fuses. If any of the fuses are blown, they must be replaced.

See "Fuse locations" on page 504 in Section 7-1 for locations of the fuses.

Vehicles without smart entry and start system—Turn the engine switch and inoperative component off. Pull the suspected fuse straight out and check it.

Vehicles with smart entry and start system—Turn the "ENGINE START STOP" switch and inoperative component off. Pull the suspected fuse straight out and check it.

Determine which fuse may be causing the problem. The lid of the fuse box shows the name of the circuit for each fuse. See page 557 in Section 8 for the functions controlled by each circuit.

Type A fuses can be pulled out by the pull-out tool. The location of the pull-out tool is shown in the illustration.

If you are not sure whether the fuse has blown, try replacing the suspected fuse with one that you know is good.

If the fuse has blown, push a new fuse into the clip.

Only install a fuse with the amperage rating designated on the fuse box lid.

If you do not have a spare fuse, in an emergency you can pull out the "RAD NO.1" or "CIG" fuse, which may be dispensable for normal driving, and use it if its amperage rating is the same.

If you cannot use one of the same amperage, use one that is lower, but as close to the rating as possible. If the amperage is lower than that specified, the fuse might blow out again but this does not indicate anything wrong. Be sure to get the correct fuse as soon as possible and return the substitute to its original clip.

It is a good idea to purchase a set of spare fuses and keep them in your vehicle for emergencies.

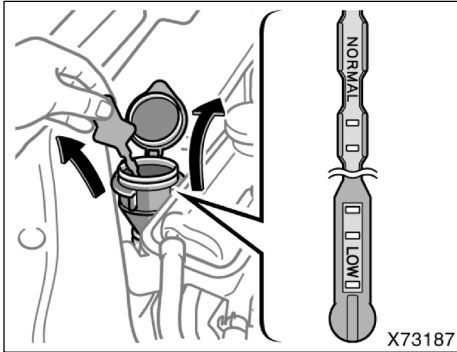
If the new fuse immediately blows out, there is a problem with the electrical system. Have any authorized Toyota dealer or repairer, or another duly qualified and equipped professional, correct it as soon as possible.

You should normalize the smart entry and start system, power window and moon roof may not operate correctly after replacing blown fuses. To normalize the smart entry and start system, power window and moon roof, see "Smart entry and start system" on page 48, "Power windows" on page 67 and "Electric moon roof" on page 78 in Section 1-2.

CAUTION

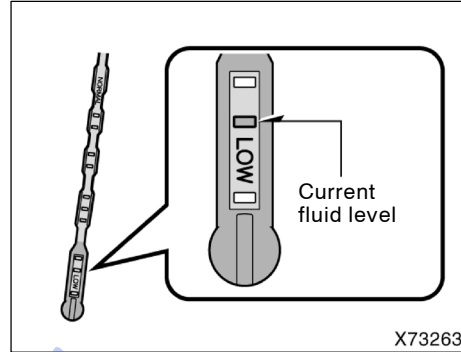
Never use a fuse with a higher amperage rating, or any other object, in place of a fuse. This may cause extensive damage and possibly a fire.

Adding washer fluid



If any washer does not work, the washer tank may be empty. Check the washer fluid level on the level gauge. If the washer fluid level is below "LOW", add washer fluid.

You may use plain water as washer fluid. However, in cold areas where temperatures range below the freezing point, use washer fluid containing antifreeze. This product is available at any authorized Toyota dealer or repairer and most auto parts stores or another duly qualified professional. Follow the manufacturer's directions for how much to mix with water.



Using the gauge

The washer fluid level can be checked by observing the position of the level on the liquid-covered holes in the gauge. If the level falls below the second hole from the bottom (the "LOW" position), refill the washer fluid.

NOTICE

Do not use engine antifreeze or any other substitute because it may damage your vehicle's paint.

Replacing light bulbs—

Before replacing the headlight bulbs, parking light bulbs and front turn signal light bulbs, remove the engine compartment cover. (See “—Removing the engine compartment cover” on page 503 in Section 7-1.)

The following illustrations show how to gain access to the bulbs. When replacing a bulb, make sure the engine switch (vehicles without smart entry and start system) or the “ENGINE START STOP” switch (vehicles with smart entry and start system) and light switch are off. Use bulbs with the wattage ratings given in the table.

The side turn signal lights, stop/tail lights and high mounted stoplight consist of a number of LEDs. If any of the LEDs burn out, take your vehicle to any authorized Toyota dealer or repairer, or another duly qualified and equipped professional to have the light replaced.

The inside of the lens of exterior lights such as headlights may temporarily fog up when the lens becomes wet in the rain or in a car wash. This is not a problem because the fogging is caused by the temperature difference between the outside and inside of the lens, just like the windshield fogs up in the rain. However, if there is a large drop of water on the inside of the lens, or if there is water pooled inside the light, contact any authorized Toyota dealer or repairer, or another duly qualified and equipped professional.



CAUTION

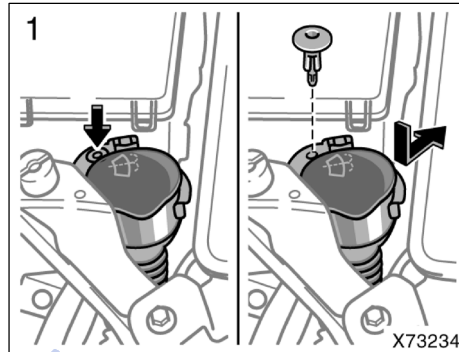
- To prevent burning yourself, do not replace the light bulbs while they are hot.
- Halogen bulbs have pressurized gas inside and require special handling. They can burst or shatter if scratched or dropped. Hold a bulb only by its plastic or metal case. Do not touch the glass part of a bulb with bare hands.

NOTICE

Only use a bulb of the listed type.

—Headlights

Light bulbs	W	Type
Headlights (high)	60	A
Headlights (low)	55	B
Front turn signal lights	21	C
Parking lights	5	D
Front fog lights	55	B
Rear turn signal lights	21	C
Back-up lights	16	D
Rear fog lights	21	D
License plate light	5	D
Interior light	8	E
Front personal lights	8	D
Vanity lights	8	D
Luggage compartment light	5	E

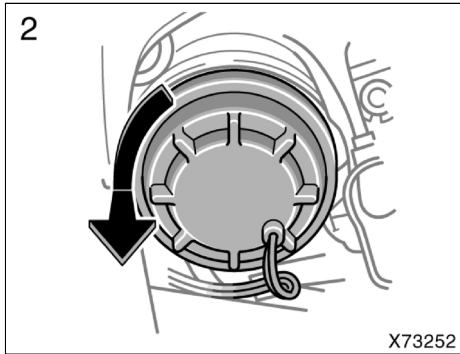


1. Right side only: Remove the clip and move it aside to allow easy access to the light bulbs.

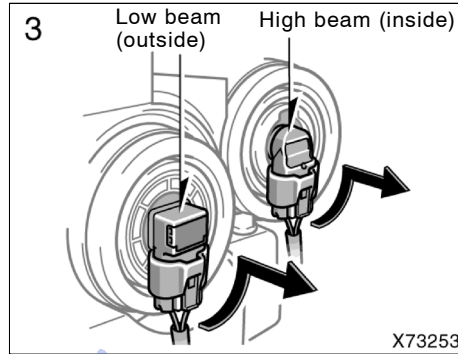
- A: HB3 halogen bulbs
 B: H11 halogen bulbs
 C: Wedge base bulbs (amber)
 D: Wedge base bulbs (clear)
 E: Double end bulbs

تلفن شبانه روزی: ۰۸۵-۸۸۶۲-۲۱

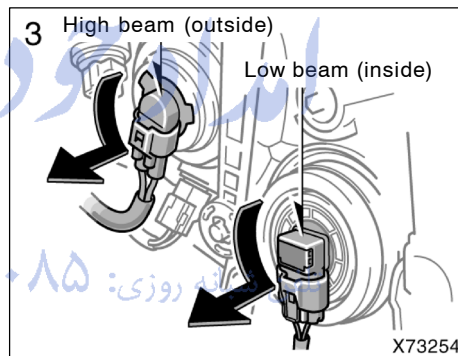
FarmaSOS.com



2. **Type B*2 (low beam) only:** Turn the cover counterclockwise and remove it.



Type A*1



Type B*2

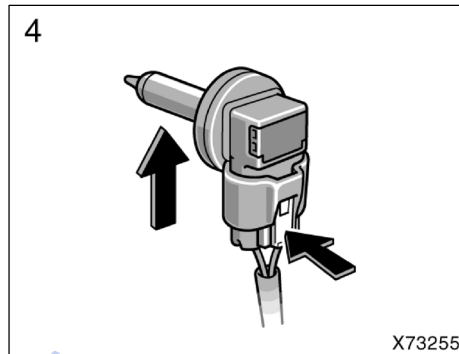
3. **Open the hood. Turn the bulb base counterclockwise to the front of the vehicle as shown.**

The above illustration shows the left-hand headlight.

*1: ALA30R-AWFXYW, ALA30R-AWFGYW, ALA30L-AWFXYW, ALA30L-AWFGYW, ACA30L-AWMXKW, ACA30L-AWMGKW, ACA30L-AWPXKW and ACA30L-AWPGKW models*3

*2: Except ALA30R-AWFXYW, ALA30R-AWFGYW, ALA30L-AWFXYW, ALA30L-AWFGYW, ACA30L-AWMXKW, ACA30L-AWMGKW, ACA30L-AWPXKW and ACA30L-AWPGKW models*3

*3: See "Model code" on page x for details.



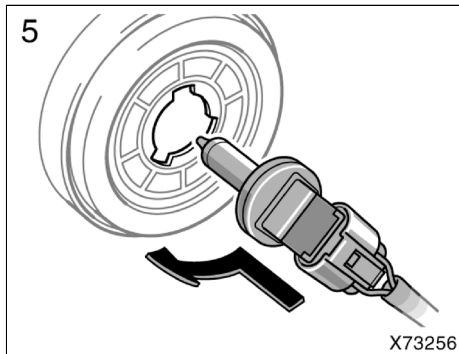
4. Unplug the connector while depressing the lock release.

If the connector is tight, wiggle it.

امداد خودرو فارما

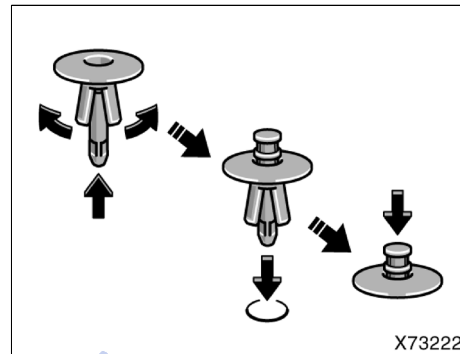
تلفن شبانه روزی: ۰۲۱-۸۸۸۶۲۰۸۵

FarmaSOS.com



5. Plug in a new bulb into the connector and install it into the mounting hole.

Aiming is not necessary after replacing the bulb. When aiming adjustment is necessary, contact any authorized Toyota dealer or repairer, or another duly qualified and equipped professional.

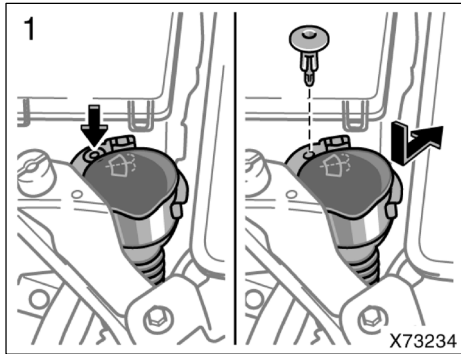


Reinstalling clip

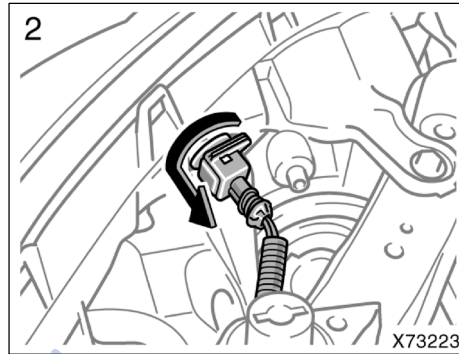
تلفن شبانه روزی: ۰۲۱-۸۸۸۶۲۰۸۵

FarmaSOS.com

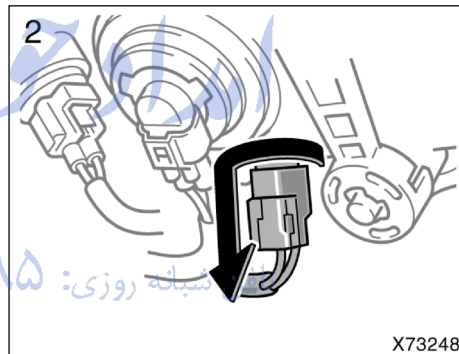
—Parking lights



1. **Right side only:** Remove the clip and move it aside to allow easy access to the light bulbs.



Type A*¹



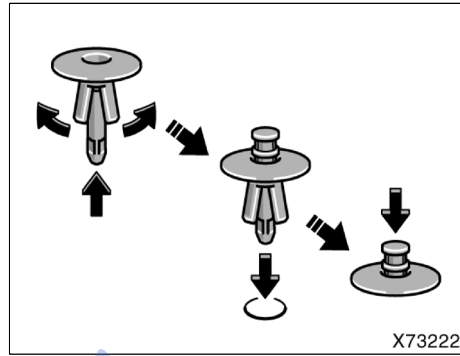
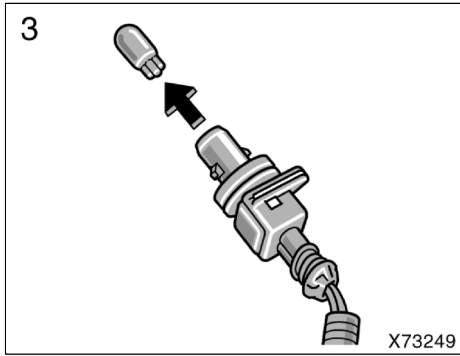
Type B*²

2. **Turn the bulb base counterclockwise.**

*1: ALA30R-AWFXYW, ALA30R-AWFGYW, ALA30L-AWFXYW, ALA30L-AWFGYW, ACA30L-AWMXKW, ACA30L-AWMGKW, ACA30L-AWPXKW and ACA30L-AWPGKW models*³

*2: Except ALA30R-AWFXYW, ALA30R-AWFGYW, ALA30L-AWFXYW, ALA30L-AWFGYW, ACA30L-AWMXKW, ACA30L-AWMGKW, ACA30L-AWPXKW and ACA30L-AWPGKW models*³

*3: See "Model code" on page x for details.



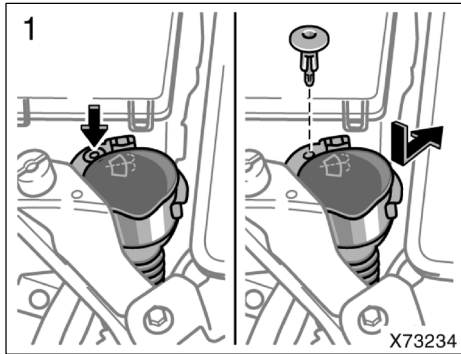
Reinstalling clip

امداد خودرو فارما

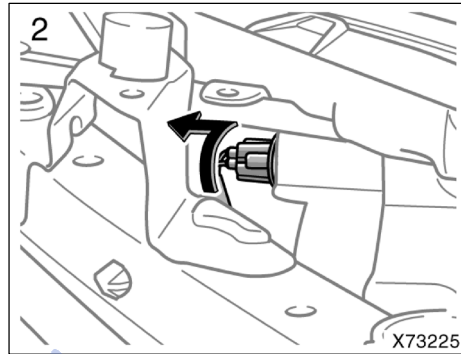
تلفن شبانه روزی: ۰۲۱-۸۸۸۶۲۰۸۵

FarmaSOS.com

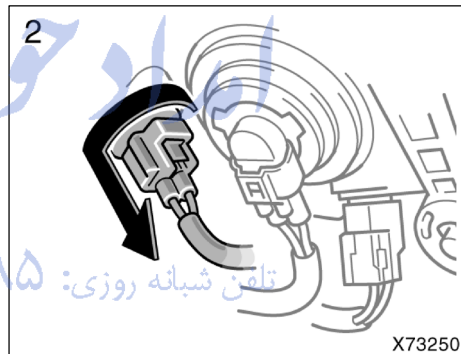
—Front turn signal lights



1. **Right side only:** Remove the clip and move it aside to allow easy access to the light bulbs.



Type A*1



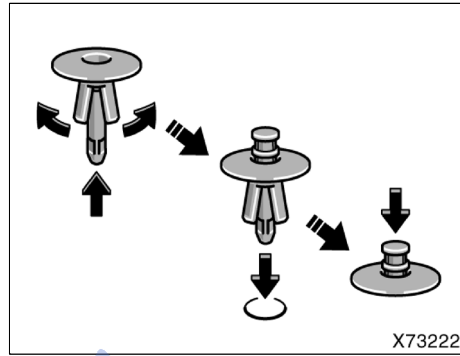
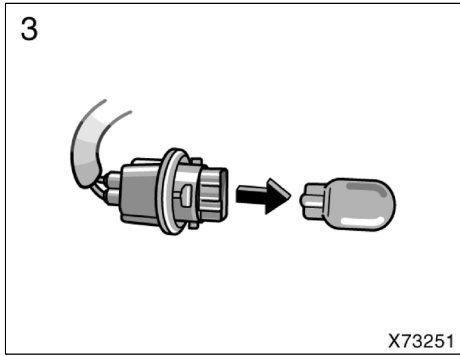
Type B*2

2. **Turn the bulb base counterclockwise.**

*1: ALA30R-AWFXYW, ALA30R-AWFGYW, ALA30L-AWFXYW, ALA30L-AWFGYW, ACA30L-AWMXKW, ACA30L-AWMGKW, ACA30L-AWPXKW and ACA30L-AWPGKW models*3

*2: Except ALA30R-AWFXYW, ALA30R-AWFGYW, ALA30L-AWFXYW, ALA30L-AWFGYW, ACA30L-AWMXKW, ACA30L-AWMGKW, ACA30L-AWPXKW and ACA30L-AWPGKW models*3

*3: See "Model code" on page x for details.

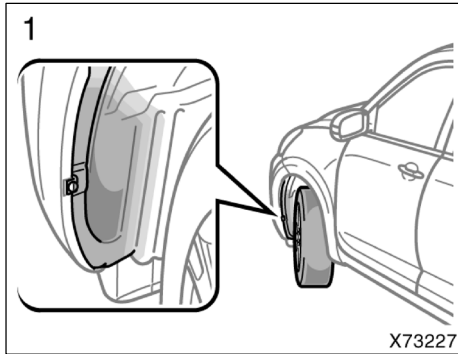


Reinstalling clip

امداد خودرو فارما

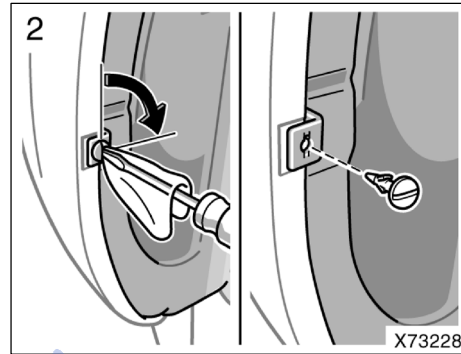
تلفن شبانه روزی: ۰۲۱-۸۸۸۶۲۰۸۵

FarmaSOS.com

—Front fog lights

1. Turn the steering wheel in the opposite direction of the front fog light that you wish to replace.

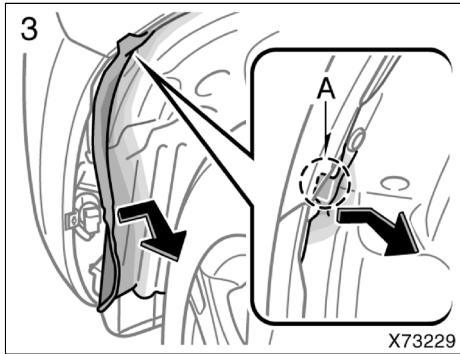
For example, if you wish to replace the front fog light on the left side, turn the steering wheel to the right.



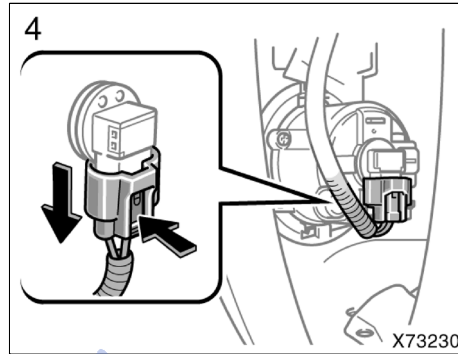
2. Remove the clip using a flathead screwdriver wrapped in a rag.

تلفن شبانه روزی: ۰۲۱-۸۸۸۶۲۰۸۵

FarmaSOS.com



3. Move section "A" of the fender liner to the inner side of the vehicle, partly removing it and thereby allowing access to the front fog light.



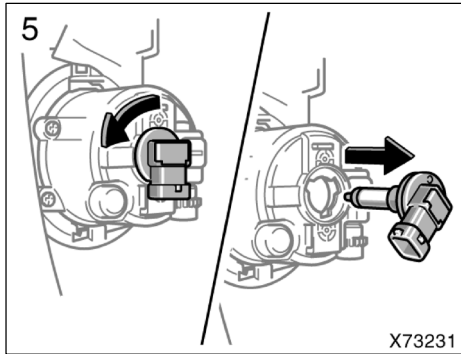
4. To unplug the connector, depress the lock release while pulling downward.

امداد خودرو فارما

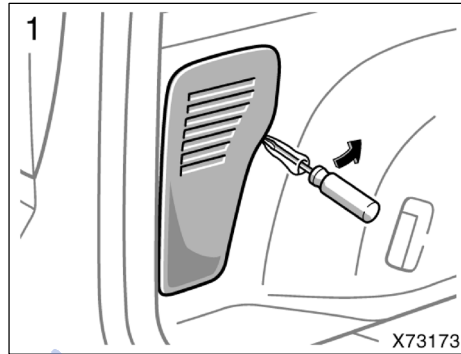
تلفن شبانه روزی: ۰۲۱-۸۸۸۶۲۰۸۵

FarmaSOS.com

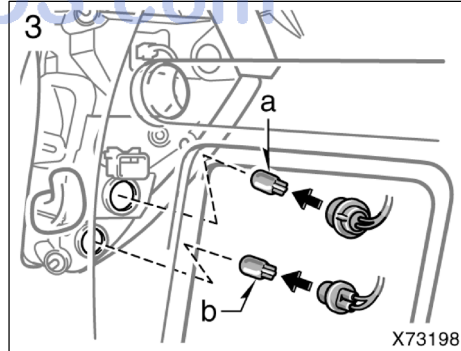
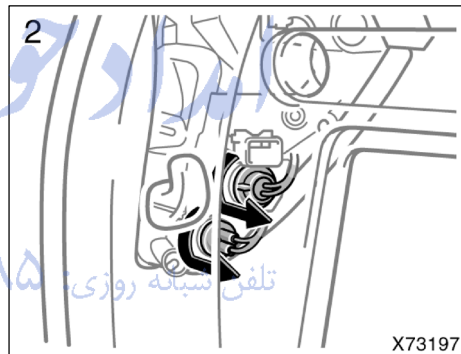
—Rear turn signal and back-up lights



5. Turn the bulb base counterclockwise.



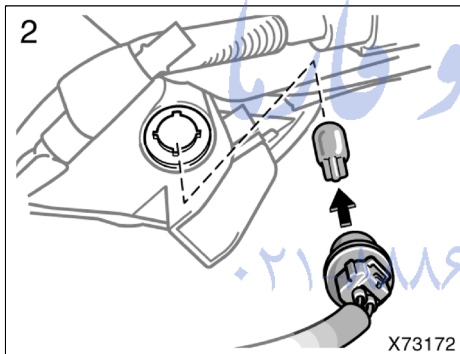
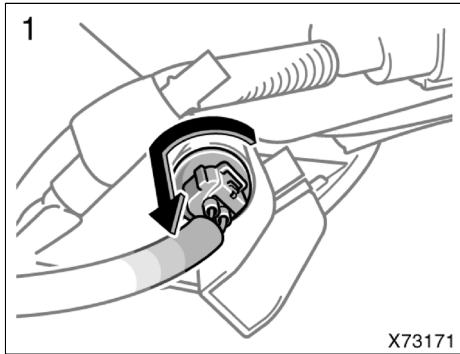
Use a flathead screwdriver.



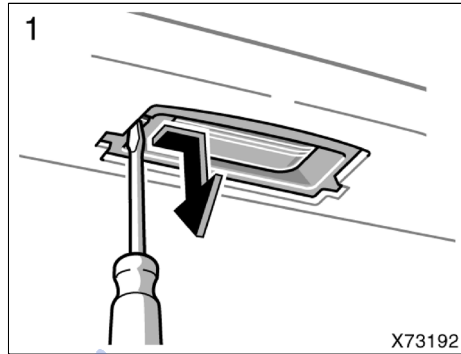
a: Rear turn signal light
b: Back-up light

فارما سوذ رو فارما
تلفن شبانه روزی: ۰۲۱-۸۸۶۲۰۸۵
FarmaSOS.com

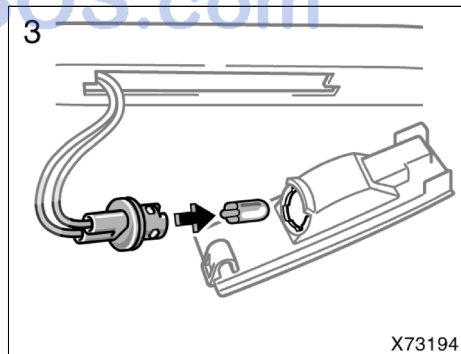
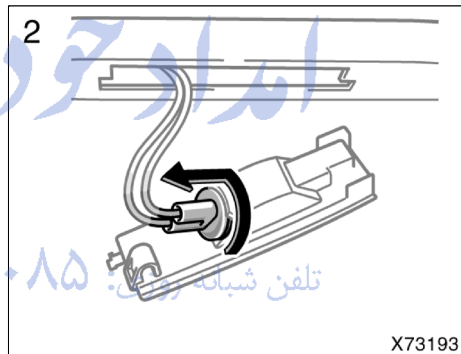
—Rear fog lights



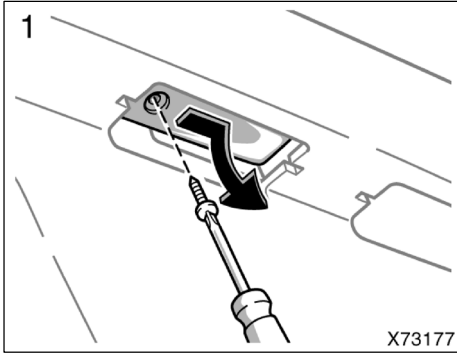
—License plate lights
(with spare tire)



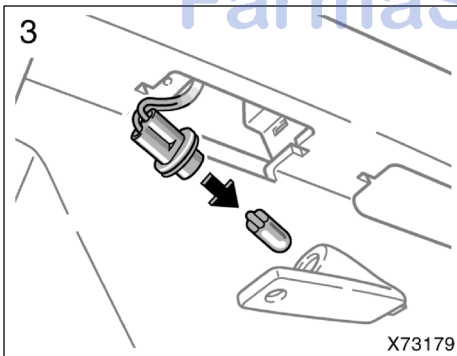
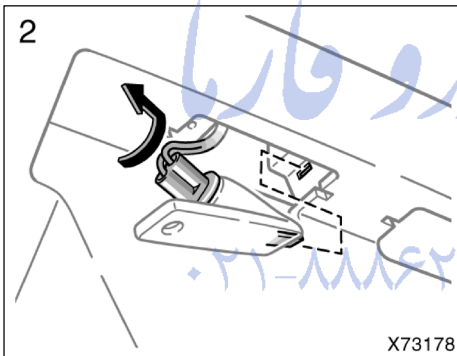
Use a flat-bladed screwdriver.



—License plate lights
(without spare tire)



Use a Phillips-head screwdriver.



امداد خودرو فارما
تلفن شبانه روزی: ۰۸۵-۲۰۶۸۸۶۲۱-۲۱
FarmaSOS.com

امداد خودرو فارما

تلفن شبانه روزی: ۰۲۱-۸۸۸۶۲۰۸۵

FarmaSOS.com

Section 8 SPECIFICATIONS

- Dimensions 548
- Weights 549
- Engine 549
- Fuel 550
- Service specifications 550
- Tires 557
- Fuses 557

امداد خودرو فارما

تلفن شبانه روزی: ۰۲۱-۸۸۸۶۲۰۸۵

FarmaSOS.com

Dimensions

mm (in.)

Overall length	Without spare tire	4335 (170.7)* ¹ 4365 (171.9)
	With spare tire	4385 (172.6)* ² 4415 (173.8)
	With spare tire cover	4415 (173.8)* ³ 4445 (175.0)
Overall width		1815 (71.5) 1855 (73.0)* ⁴
Overall height		1685 (66.3) 1720 (67.7)* ⁵
Wheel base		2560 (100.8)
Front tread		1560 (61.4)
Rear tread		1560 (61.4)

*1: ALA30R-AWFGYW and ALA30L-AWFGYW models*⁶*2: ALA30R-AWFXYW, ALA30R-AWFGYW, ALA30L-AWFXYW and ALA30L-AWFGYW models*⁶*3: ALA30R-AWFXYW, ALA30R-AWFGYW, ALA30L-AWFXYW, ALA30L-AWFGYW, ACA30L-AWMXKW, ACA30L-AWMGKW, ACA30L-AWPXKW and ACA30L-AWPGKW models*⁶

*4: With over fender

*5: With roof rails

*6: See "Model code" on page x for details.

Weights

Gross vehicle mass (GVM), kg (lb.):

2070 (4563)*¹
 2110 (4651)*²
 2140 (4718)*³
 2190 (4828)*⁴

Maximum permissible axle capacity (MPAC), kg (lb.):

Front 1150 (2535)
 Rear 1150 (2535)

Drawbar load, kg (lb.):

60 (132)*^{5,6}
 75 (165)*⁷
 80 (176)*⁹

Towing capacity*⁸, kg (lb.):

With brake 1500 (3307)*^{5,6}
 1800 (3969)*⁷
 2000 (4409)*⁹
 Without brake 750 (1653)

*¹: Gasoline engine with manual transmission*²: Gasoline engine with Multidrive or automatic transmission*³: Two-wheel drive models with 2AD-FTV engine*⁴: 2AD-FTV or 2AD-FHV engine*⁵: 3ZR-FAE engine with Multidrive*⁶: 1AZ-FE engine without towing package*⁷: 2AD-FHV engine with automatic transmission*⁸: On gradients up to 12%*⁹: Others**Engine**

Model:

3ZR-FAE, 1AZ-FE, 2AD-FTV and 2AD-FHV

Type:

3ZR-FAE and 1AZ-FE engines
 4 cylinder in line, 4 cycle, gasoline
 2AD-FTV and 2AD-FHV engines
 4 cylinder in line, 4 cycle, diesel
 (with turbocharger)

Bore and stroke, mm (in.):

3ZR-FAE engine
80.5 × 97.6 (3.17 × 3.84)1AZ-FE engine
86.0 × 86.0 (3.39 × 3.39)2AD-FTV and 2AD-FHV engines
86.0 × 96.0 (3.39 × 3.78)Displacement, cm³ (cu. in.):

3ZR-FAE engine 1987 (121.2)

1AZ-FE engine 1998 (121.9)

2AD-FTV and 2AD-FHV engines
2231 (136.1)

Fuel

Fuel type:

Gasoline engine

EU area:

Unleaded gasoline conforming to European standard EN228, Research Octane Number of 95 or higher

Except EU area:

Unleaded gasoline, Research Octane Number of 95 or higher

Diesel engine

2AD-FTV (without DPF catalytic converter) engine

EU area:

Diesel fuel conforming to European standard EN590

Except EU area:

Diesel fuel that contains 500 ppm or less of sulfur and has a cetane number of 48 or higher

2AD-FTV (with DPF catalytic converter) and 2AD-FHV engines

EU area:

Diesel fuel conforming to European standard EN590

Except EU area:

Diesel fuel that contains 50 ppm or less of sulfur and has a cetane number of 48 or higher

Fuel tank capacity, L (gal., Imp. gal.):
60 (15.9, 13.2)

Service specifications

ENGINE

Gasoline engine only—

Valve clearance (1AZ-FE engine, cold), mm (in.):

Intake	0.19—0.29	(0.007—0.012)
Exhaust	0.30—0.40	(0.012—0.016)

Spark plug type:

3ZR-FAE engine		
DENSO		SC20HR11
1AZ-FE engine		
DENSO		SK20R11
NGK		IFR6A11

Spark plug gap, mm (in.):

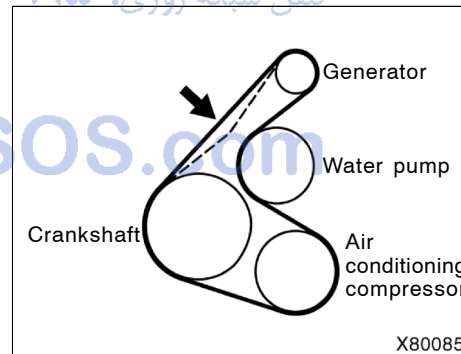
1.1 (0.043)

NOTICE

Do not adjust gaps for engine performance or smooth driveability.

Drive belt deflection with 98 N (10 kgf, 22 lbf) thumb force (used belt), mm (in.):

3ZR-FAE engine—
7.6—10 (0.30—0.39)



1AZ-FE, 2AD-FTV and 2AD-FHV engines—

Automatic adjustment

ENGINE LUBRICATION

Oil capacity (drain and refill),
L (qt., Imp. qt.):

Gasoline engine

3ZR-FAE engine

With filter	4.2 (4.4, 3.7)
Without filter	3.9 (4.1, 3.4)

1AZ-FE engine

With filter	4.2 (4.4, 3.7)
Without filter	4.0 (4.2, 3.5)

Diesel engine

With filter	5.9 (6.2, 5.2)
Without filter	5.5 (5.8, 4.8)

“Toyota Genuine Motor Oil” is used in your Toyota vehicle. Toyota recommends the use of approved “Toyota Genuine Motor Oil”. Another motor oil of matching quality can also be used.

Oil grade:

Gasoline engine

3ZR-FAE engine:

0W-20, 5W-20, 5W-30 and 10W-30—
API grade SL “Energy-Conserving”,
SM “Energy-Conserving”, SN
“Resource-Conserving” or ILSAC
multigrade engine oil

15W-40 and 20W-50—
API grade SL, SM or SN multigrade
engine oil

1AZ-FE engine:

5W-30 and 10W-30—
API grade SL “Energy-Conserving”,
SM “Energy-Conserving”, SN
“Resource-Conserving” or ILSAC
multigrade engine oil

15W-40 and 20W-50—
API grade SL, SM or SN multigrade
engine oil

Diesel engine

2AD-FTV (without DPF catalytic con-
verter) engine—

—Diesel fuel that contains between 50
ppm and 500 ppm of sulfur

ACEA B1, API CF-4 or CF

—Diesel fuel that contains between 50
ppm or less of sulfur

ACEA C2, B1, API CF-4 or CF

2AD-FTV (with DPF catalytic convert-
er) and 2AD-FHV (with DPNR catalyt-
ic converter) engines—

ACEA C2

NOTICE

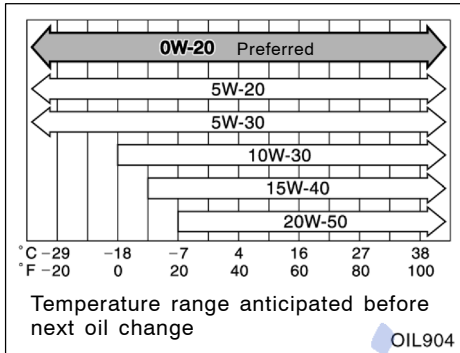
**Using engine oil other than ACEA C2
may damage the catalytic converter.**

تلفن شبانه روزی: ۱۵

FarmasOS.com

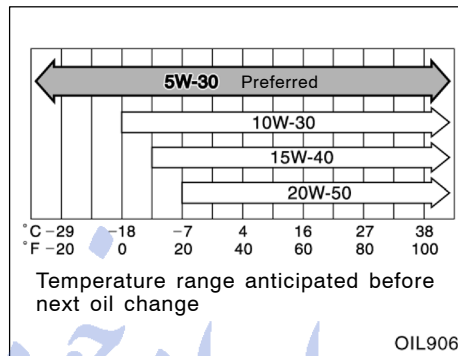
Recommended viscosity (SAE):

3ZR-FAE engine—

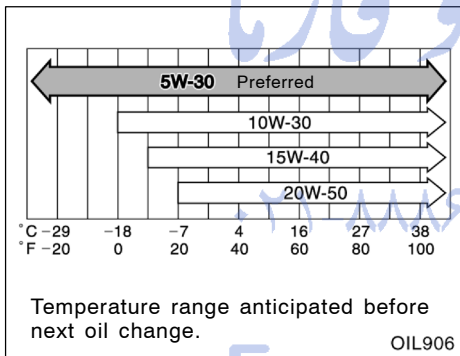


2AD-FTV (without DPF catalytic converter) engine—

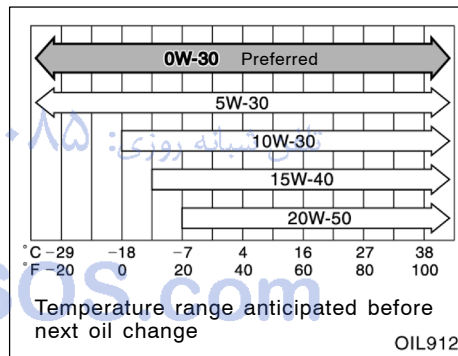
—Diesel fuel that contains between 50 ppm and 500 ppm of sulfur



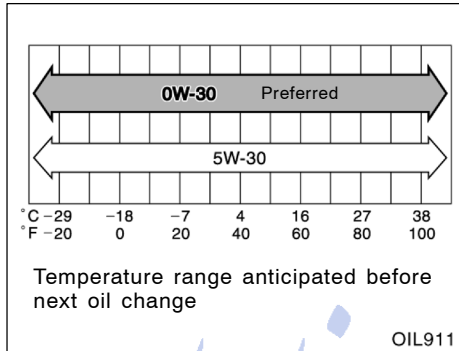
1AZ-FE engine—



—Diesel fuel that contains 50 ppm or less of sulfur



2AD-FTV (with DPF catalytic converter) and 2AD-FHV (with DPNR catalytic converter) engines—



Please contact any authorized Toyota dealer or repairer, or another duly qualified and equipped professional, for further details.

COOLING SYSTEM

Total capacity, L (qt., Imp. qt.)

3ZR-FAE engine	
With manual transaxle	5.8 (6.1, 5.1)
With Multidrive	6.0 (6.3, 5.3)
1AZ-FE engine	
With manual transaxle	6.2 (6.6, 5.5)
With automatic transaxle	6.4 (6.7, 5.6)
2AD-FTV and 2AD-FHV engines	
With power heater	7.7 (8.1, 6.8)
Without power heater	7.3 (7.7, 6.4)

Coolant type:

Your Toyota vehicle is filled with "Toyota Super Long Life Coolant" at the factory. In order to avoid technical problems, only use "Toyota Super Long Life Coolant" or similar high quality ethylene glycol based non-silicate, non-amine, non-nitrite, and non-borate coolant with long-life hybrid organic acid technology. (Coolant with long-life hybrid organic acid technology is a combination of low phosphates and organic acids.)

Do not use plain water alone.

Please contact any authorized Toyota dealer or repairer, or another duly qualified and equipped professional, for further details.

BATTERY

Specific gravity reading at 20°C (68°F):

1.250—1.290	Fully charged
1.160—1.200	Half charged
1.060—1.100	Discharged

Charging rates:

Quick charge	15 A max.
Slow charge	5 A max.

CLUTCH

Pedal free play, mm (in.):

5—15 (0.2—0.6)

Fluid type:

SAE J1703 or FMVSS No.116 DOT 3

MANUAL TRANSAXLE

Oil capacity, L (qt., Imp. qt.):

3ZR-FAE engine
2.4 (2.5, 2.1)1AZ-FE engine
2.5 (2.6, 2.2)

2AD-FTV and 2AD-FHV engines

Two-wheel drive vehicles
2.3 (2.4, 2.0)Four-wheel drive vehicles
2.1 (2.2, 1.8)

Oil type:

Toyota Genuine Manual Transmission
Gear Oil LV API GL-4

Recommended oil viscosity:

SAE 75W

Change manual transaxle gear oil only as necessary.

Generally, it is necessary to change manual transaxle gear oil only if your vehicle is driven under one of the Special Operating Conditions listed in your "Toyota Service Booklet" or "Toyota Warranty Booklet". When changing the manual transaxle gear oil, use only "Toyota Genuine Manual Transmission Gear Oil LV API GL-4 SAE 75W" to aid in assuring optimum transaxle performance.

Notice: Using a manual transaxle gear oil other than "Toyota Genuine Manual Transmission Gear Oil LV API GL-4 SAE 75W" may cause occurrence of idle rattling noise and bad fuel consumption.

Please contact any authorized Toyota dealer, or repairer or another duly qualified and equipped professional, for further details.

MULTIDRIVE

Fluid capacity
L (qt., Imp. qt.):
9.0 (9.5, 7.9)

Fluid type:
Toyota Genuine CVT FLUID TC

Change transaxle fluid only as necessary. Generally, it is necessary to change transaxle fluid only if your vehicle is driven under one of the Special Operating Conditions listed in your "Toyota Service Booklet" or "Toyota Warranty Booklet". When changing the transaxle fluid, Toyota recommends the use of "Toyota Genuine CVT FLUID TC" to aid in assuring optimum transaxle performance. Other transaxle fluids of matching quality can also be used.

Notice: Using a transaxle fluid other than "Toyota Genuine CVT FLUID TC" may cause deterioration in shift quality, locking up of your transaxle accompanied by vibration, and ultimately damage the transaxle of your vehicle. For the reasons indicated above, Toyota recommends the use of "Toyota Genuine CVT FLUID TC", should you wish to utilize another fluid, another automotive transaxle fluid of matching quality can also be used.

Please contact any authorized Toyota dealer or repairer, or another duly qualified and equipped professional, for further details.

AUTOMATIC TRANSAXLE

Fluid capacity, L (qt., Imp. qt.):
4 speed 8.1 (8.6, 7.1)
6 speed 6.7 (7.1, 5.9)

Fluid type:
Toyota Genuine ATF WS

Change automatic transaxle fluid only as necessary.

Generally, it is necessary to change automatic transaxle fluid only if your vehicle is driven under one of the Special Operating Conditions listed in your "Toyota Service Booklet" or "Toyota Warranty Booklet". When changing the automatic transaxle fluid, Toyota recommends the use of "Toyota Genuine ATF WS" to aid in assuring optimum transaxle performance. Other automatic transaxle fluids of matching quality can also be used.

Notice: Using an automatic transaxle fluid other than "Toyota Genuine ATF WS" may cause deterioration in shift quality, locking up of your transaxle accompanied by vibration, and ultimately damage the automatic transaxle of your vehicle. For the reasons indicated above, Toyota recommends the use of Toyota genuine transaxle fluid, should you wish to utilize another fluid, another automotive transaxle fluid of matching quality can also be used.

Please contact any authorized Toyota dealer or repairer, or another duly qualified and equipped professional, for further details.

TRANSFER (four-wheel drive models)

Oil capacity, L (qt., Imp. qt.):
0.45 (0.48, 0.40)

Oil type:
Hypoid gear oil API GL-5

Recommended oil viscosity:
Above -18°C (0°F)
SAE 90
Below -18°C (0°F)
SAE 80W or 80W-90

REAR DIFFERENTIAL (four-wheel drive models)

Oil capacity, L (qt., Imp. qt.):
0.5 (0.5, 0.4)

Oil type:
Hypoid gear oil API GL-5

Recommended oil viscosity:
Above -18°C (0°F)
SAE 90
Below -18°C (0°F)
SAE 80W or 80W-90

BRAKES

Minimum pedal clearance when depressed with a force of 490 N (50 kgf, 110 lbf) with the engine running, mm (in.):

3ZR-FAE, 2AD-FTV and 2AD-FHV engines

Left-hand drive vehicles
With VSC+ system 110 (4.3)
Without VSC+ system 75 (3.0)

Right-hand drive vehicles
With VSC+ system 100 (3.9)
Without VSC+ system 70 (2.8)

1AZ-FE engine
With VSC+ system 115 (4.5)
Without VSC+ system 90 (3.5)

Pedal free play, mm (in.):
1-6 (0.04-0.24)

Parking brake adjustment when pulled with the force of 200 N (21 kgf, 45 lbf):
6-8 clicks

Fluid type:
SAE J1703 or FMVSS No.116 DOT 3

FarmaSOS.com

STEERING

Wheel free play:
Less than 30 mm (1.2 in.)

Tires**Tire size:**

215/70R16 99H
225/65R17 101H
235/55R18 99H

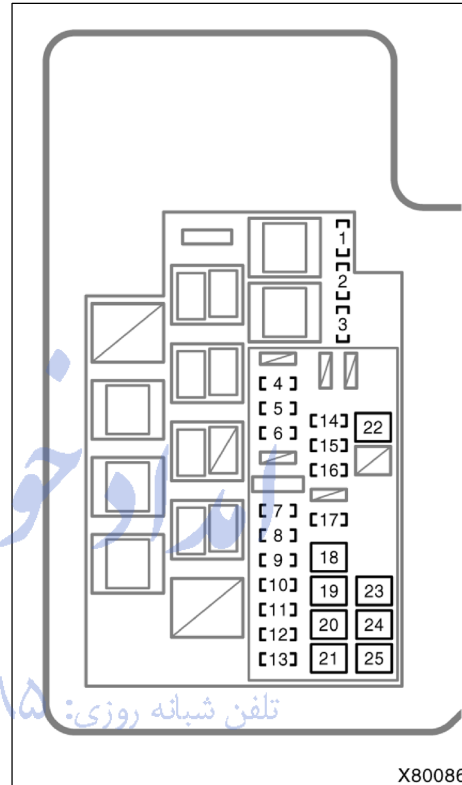
Cold tire inflation pressure, kPa (kgf/cm² or bar, psi):

220 (2.2, 32)

Wheel nut torque, N·m (kgf·m, ft·lbf):

103 (10.5, 76)

NOTE: For a complete information on tires (e.g. replacing tires or replacing wheels), see "Checking tire inflation pressure" through "Aluminum wheel precautions", pages 518 through 524 in Section 7-2.

Fuses

X80086

ENGINE COMPARTMENT (No.1)

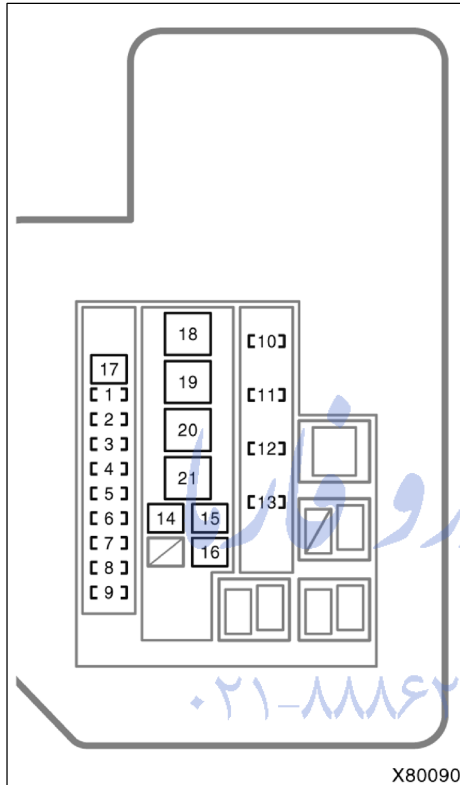
1. **SPARE 30 A:** Spare fuse
2. **SPARE 20 A:** Spare fuse
3. **SPARE 10 A:** Spare fuse
4. **ECU-B2 7.5 A:** Air conditioning system, smart entry and start system, power windows
5. **ALT-S 7.5 A:** No circuit
6. **STR LOCK 20 A (with smart entry and start system):** Steering lock system
STR LOCK 20 A (without smart entry and start system): No circuit
7. **RAD NO.1 20 A:** Audio system, navigation system

8. **ECU-B 10 A:** Main body ECU (wireless remote control system, electric power steering system, power door lock, smart entry and start system), clock, audio system, navigation system, meters and gauges
9. **DOME 10 A:** Engine switch light (vehicles without smart entry and start system), "ENGINE START STOP" switch light (vehicles with smart entry and start system), interior light, vanity lights, luggage compartment light, front personal lights, foot lights
10. **HEAD LH 10 A:** Left-hand headlight (high beam)
11. **HEAD RH 10 A:** Right-hand headlight (high beam)
12. **HEAD LL 10 A:** Left-hand headlight (low beam)
13. **HEAD RL 10 A:** Right-hand headlight (low beam)
14. **AC INV 15 A:** No circuit
15. **TOWING 30 A:** No circuit
16. **STV HTR 25 A:** Power heater
17. **DEICER 20 A:** Windshield wiper de-icer
18. **HTR 50 A:** Air conditioning system
19. **PTC3 50 A (PTC 840W):** Emission control system
PTC3 50 A (PTC 300W): No circuit
20. **PTC2 50 A (PTC 840W):** Emission control system
PTC2 30 A (PTC 300W): Emission control system
21. **PTC1 50 A (PTC 840W):** Emission control system
PTC1 30 A (PTC 300W): Emission control system
22. **HEAD MAIN 50 A:** "HEAD LL", "HEAD RL", "HEAD LH", "HEAD RH" fuses
23. **RDI 30 A:** Electric cooling fan
24. **CDS 30 A:** Electric cooling fan
25. **H-LP CLN 30 A:** Headlight cleaner

امداد خودرو فارما

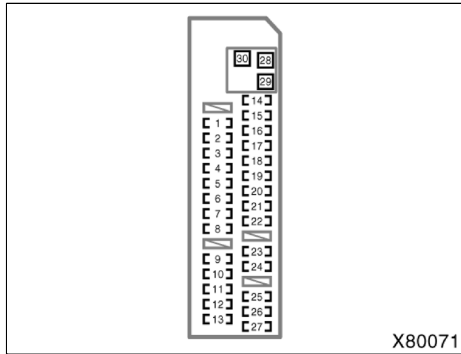
تلفن شبانه روزی: ۰۸۵ ۱۱۶۲ ۲۲۲۲

FarmaSOS.com



ENGINE COMPARTMENT (No.2)

1. **AMP 30 A:** No circuit
2. **AM2 30 A:** Starting system
3. **IG2 15 A:** Starting system, multiport fuel injection system/sequential multiport fuel injection system
4. **HAZ 10 A:** Emergency flashers
5. **ETCS 10 A (gasoline engine):** Multiport fuel injection system/sequential multiport fuel injection system
ETCS 10 A (diesel engine): No circuit
6. **AM2-2 7.5 A:** Starting system
7. **EFI NO.1 10 A:** Multiport fuel injection system/sequential multiport fuel injection system
8. **EFI NO.2 10 A:** Multiport fuel injection system/sequential multiport fuel injection system
9. **EFI NO.3 7.5 A:** Multiport fuel injection system/sequential multiport fuel injection system
10. **EFI MAIN 20 A:** Multiport fuel injection system/sequential multiport fuel injection system, "EFI NO.1", "EFI NO.3" fuses
11. **HORN 10 A:** Horn
12. **EDU 25 A:** Multiport fuel injection system/sequential multiport fuel injection system
13. **A/F 20 A (gasoline engine):** Multiport fuel injection system/sequential multiport fuel injection system
A/F 20 A (diesel engine): No circuit
14. **P/I 50 A:** "EFI MAIN", "HORN", "A/F", "EDU" fuses
15. **ABS2 30 A:** Anti-lock brake system, traction control system, VSC+ system, downhill assist control system, hill-start assist control system
16. **ABS1 50 A:** Anti-lock brake system, traction control system, VSC+ system, downhill assist control system, hill-start assist control system
17. **P-SYSTEM 30 A:** VALVEMATIC system
18. **GLOW 80 A:** Engine glow system
19. **EMPS 60 A:** Electric power steering system
20. **MAIN 80 A:** "HEAD MAIN", "ECU-B2", "STR LOCK" fuses
21. **ALT 120 A (gasoline engine) or 140 A (diesel engine):** "ABS 1", "ABS 2", "RDI", "CDS", "HTR", "H-LP CLN", "PTC1", "PTC2", "DEICER", "STV HTR" fuses



INSTRUMENT PANEL

1. **S-HTR 15 A:** Seat heaters
2. **WIP 25 A:** Windshield wipers
3. **RR WIP 15 A:** Rear window wiper
4. **WSH 15 A:** Windshield washer, rear window washer
5. **ECU-IG1 10 A:** Electric cooling fan, anti-lock brake system, traction control system, VSC+ system, downhill assist control system, hill-start assist control system, Active Torque Control 4WD system, tire pressure warning system, shift lock system, air conditioning system, main body ECU, electric moon roof, auto anti-glare inside rear view mirror, stop/tail lights, windshield wiper deicer, electric power steering system, clutch start cancel system, headlight cleaner, power heater, clock
6. **ECU-IG2 10 A:** Air conditioning system, rear window defogger, power heater
7. **OBD 7.5 A:** On-board diagnosis system
8. **STOP 10 A:** Stop/tail lights, high mounted stoplight, shift lock system, multiport fuel injection system/sequential multiport fuel injection system, anti-lock brake system, traction control system, VSC+ system, downhill assist control system, hill-start assist control system
9. **DOOR 25 A:** Main body ECU, power door lock system
10. **ACC-B 25 A:** "ACC", "CIG" fuses
11. **4WD 7.5 A:** Active Torque Control 4WD system
12. **FR FOG 15 A:** Front fog lights
13. **AM1 7.5 A:** Starting system
14. **TAIL 10 A:** Stop/tail lights, parking lights, license plate light, front fog lights, rear fog lights
15. **PANEL 7.5 A:** Clock, instrument panel lights, audio system
16. **GAUGE1 10 A:** Buck-up lights, charging system
17. **D FR DOOR 20 A:** Power window (front doors) *تلفن شبانه*
18. **RL DOOR 20 A:** Power window (rear left door)
19. **RR DOOR 20 A:** Power window (rear right door)
20. **S/ROOF 25 A:** Electric moon roof
21. **CIG 15 A:** Cigarette lighter
22. **ACC 7.5 A:** Audio system, power outlets, power rear view mirror control, shift lock system, main body ECU (smart entry and start system), clock
23. **MIR HTR 10 A:** Outside rear view mirror heaters
24. **PWR OUTLET 15 A:** Power outlets
25. **RR FOG 10 A:** Rear fog lights

- 26. IGN 7.5 A:** SRS airbag system, multiport fuel injection system/sequential multiport fuel injection system, steering lock system, smart entry and start system, starting system
- 27. GAUGE2 7.5 A:** Meters and gauges
- 28. DEF 30 A:** Rear window defogger, "MIR HTR" fuse
- 29. P/SEAT 30 A:** Power seat
- 30. POWER 30 A:** Power windows

امداد خودرو فارما

تلفن شبانه روزی: ۰۲۱-۸۸۸۶۲۰۸۵

FarmaSOS.com

امداد خودرو فارما

تلفن شبانه روزی: ۰۲۱-۸۸۸۶۲۰۸۵

FarmaSOS.com

Section 9
INDEX

امداد خودرو فارما

تلفن شبانه روزی: ۰۲۱-۸۸۸۶۲۰۸۵

FarmaSOS.com

A

"ABS" warning light	220
Active head restraints	88
Active Torque Control 4WD system	260
Actuation area, Smart entry and start system	48
Adding washer fluid	531
Adjustment Front seats	86,87
Rear seats	90
Seat belt	99
Air bleeding	438
Air conditioning filter	351
Air conditioning system Automatic air conditioning system	340
Manual air conditioning system	334
Airbags	109,117,125
Aluminum wheel precautions	524
Anti-glare inside rear view mirror	171
Anti-theft steering column lock	232,233
Appearance care Cleaning the interior	490
Protecting your Toyota from corrosion	486
Washing and waxing	487
Armrest	96
Ashtray	362
Audio system	282
Audio system AUX	304
Audio system operating tips	306
Automatic air conditioning system	340
Automatic transmission Driving with an automatic transmission	234,238
Shift lock override button	482
Shift pattern	234,238
Shifting speed	234,238
AUX	304
Auxiliary box	366
Auxiliary catch, Engine hood	70

B

Back Door Back door precautions	62
Operation, back door	63
Battery Checking battery condition	526
Gas caution	526
Handling safety	526
Recharging precautions	529
Winter driving tips	424
Before starting the engine	410
Bluetooth	312
Bottle holders	370
Brake pad wear indicators	399
Brake system	395
Brake system warning light	220
Brakes Pad wear indicators	399
Parking	276
Break-in tips	383
Brightness control	182

C

Carbon monoxide caution	392
Cargo net	377
Catalytic converter	389,390,391
Charging system warning light	220
Checking and replacing fuses	529
Checking and replacing the air conditioning filter	351
Checking the engine oil level	510
Checking the radiator, condenser and intercooler	517
Child restraint Child restraint system	138
Installation	148,159
Installation with ISOFIX rigid anchor	164
ISOFIX child restraint system	164
Precautions	137
Types of child restraint system	139
Using a top strap	161
Cigarette lighter	362
Cleaning the interior	490
Clock	361

- Cold weather
 Operation 424
 Compact disc changer 282
 Compact disc changer controller 282
 Compact disc player 282
 Condenser
 Checking the condenser 517
 Console box
 Rear 368
 Controls, Instrument panel 2,9,18
 Cooling system
 Coolant level 516
 Engine overheating 444
 Radiator and reservoir 516
 Radiator cap 444
 Winter driving tips 424
 Corrosion prevention 486
 Cranking hold function 410
 Cruise control 277
 Cruise information display 203
 Cup holder
 Front 369
 Rear 369
- D**
 Defogger
 Outside rear view mirror 194
 Rear window 194
 Diesel Clean Advanced
 Technology 391
 Dimmer switch, Headlight 176,178
 Directional signals 176,178
 Do-it-yourself maintenance
 Service precautions 505
 Does your vehicle need repairing? 497
 Doors
 Side doors 60
 Smart entry and start system 65
 Double locking system 47
 Downhill assist control system 270
 DPF catalytic converter 390
 DPNR catalytic converter 391
 Driver's seat belt reminder buzzer 220
 Driver's seat belt reminder light
 Driving
 Automatic transmission 234,238
 Driving tips 410
 Manual transmission 257
 Multidrive 249
 Driving in the rain 422
- Driving tips
 Driving in the rain 422
 Driving tips in various conditions 421
 Driving with
 a manual transmission 257
 Driving with
 an automatic transmission 234,238
 Driving with Multidrive 249
 Economical driving 432
 Good driving practice 234,238,257
 Pre-trip safety check 419
 Winter driving tips 424
 During
 Break-in 383
- E**
 Economical driving
 Saving money on both fuel and
 repairs 432
 Electric moon roof 78
 Electric power steering system 400
 Electric power steering system
 warning light 220
 Electrical system
 Battery 526,529
 Fuse locations 504
 Fuses 529
 Emergency flasher switch 182
 Emergency, In case of
 Bleeding the fuel system 438
 Blown fuse 529
 Emergency flasher switch 182
 Emergency tire puncture
 repair kit 445
 Flat tire 459
 If you cannot increase engine
 speed 443
 If you cannot shift shift lever 482
 If you lose your keys 482
 If you run out of fuel and
 the engine dies 438
 If your engine stalls while
 driving 442
 If your vehicle becomes stuck 473
 If your vehicle has to be stopped in
 an emergency 483
 If your vehicle needs to be
 towed 473
 If your vehicle will not start 436

Jump starting	439	Loosening wheel nuts	463
Overheating	444	Lowering vehicle	468
Towing	473	Reinstalling wheel ornament	471
Engine		Removing wheel ornament	463
Before starting the engine	410	Stowing flat tire	468
Catalytic converter	389,390,391	Wheel block	462
Checking the coolant level	516	Wheel nuts	467
DPF catalytic converter	390	Floor mat	379
DPNR catalytic converter	391	Fluid level	
Emission control device	388,389,390,391	Washer fluid	531
Engine compartment	500	Fog light switch	
Exhaust gas caution	392	Front	183
Hood release	70	Rear	183
Identification number	405	Fog light switch, Rear	183
Oil consumption	393	Foreign countries, Operation in	387
Oil level	510	Four-wheel drive system	260
Overheating	444	Front cup holder	369
Starting procedure	410	Front fog light switch	183
Three-way catalytic converters	388	Front passenger's seat belt reminder buzzer	220
Turning off an engine with turbocharger	419	Front passenger's seat belt reminder light	220
Engine compartment cover		Front seats	85,86,87
Removal	503	Fuel	
Engine coolant		Bleeding the fuel system	438
Temperature gauge	199	Filler door opener	76
Winter driving tips	424	Fuel economy	432
Engine coolant temperature gauge	199	Fuel pump shut off system	387
Engine immobilizer system	27	Gauge	198
Engine oil		If you run out of fuel and the engine dies	438
Winter driving tips	424	Operation in foreign countries	387
Engine switch	233	Tank cap	76
Entry function, Smart entry and start system	48	Fuel information	384,385
Exhaust gas caution	392	Fuel pump shut off system	387
		Fuse	
		Fuse box	529
		Fuse locations	504
F			
Facts about engine oil consumption	393	G	
Flasher, Headlight	176,178	Gauge	
Flat tire		Engine coolant temperature	199
After changing wheels	472	Fuel	198
Changing tire	466	Glove box	365
Emergency tire puncture repair kit	445	Good driving practice	234,238,257
If you have a flat tire	459	Grocery bag hooks	371
Jack point	464		
Jacking precautions	459		
Jacking up	465		

H

Hands-free phone system	312
Hazard switch	182
Head restraints	88,96
Headlight beam level control dial	181
Headlight cleaner switch	193
Headlight switch	176,178
High speed operation	
During break-in	383
Hill-start assist control system	274
Hood release, Engine	70
How to start the engine	410

I

Identification	
Engine	405
Vehicle	404
Ignition switch	232,233
Illuminated entry system	186
Indicator symbols	19
Installing front towing eyelet	479
Instrument panel	
Brightness control	182
Clock	361
Fuel gauge	198
Indicator symbols	19
Tachometer	200
Instrument panel light control	182
Instrument panel overview	2,9,18
Intercooler	
Checking the intercooler	517

J

Jack	
Location	460
Jack, Audio	
AUX	304
Jump starting	439

K

Key reminder buzzer	220
Keys	22,25,482

L

Light bulbs	532
Light bulbs	
Back-up light	543
Front fog light	541
Front turn signal light	539
Headlight	533
License plate light	544,545
Parking light	537
Rear fog light	544
Rear turn signal light	543
Light reminder buzzer	220
Light, Interior	
Interior light	184
Personal light	184
Light, Luggage compartment	185
Lock	
Side doors	60
Smart entry and start system	65
Steering column ...	48,232,233,413,415
Low fuel level warning light	220
Luggage compartment light	185
Luggage cover	372
Luggage storage box	367
Luggage stowage precautions	402

M

Maintenance	
Do-it-yourself maintenance	505
Does your vehicle need repairing?	497
Maintenance facts	496
Where to go for service	496
Malfunction indicator lamp	220
Manual air conditioning system	334
Manual transmission	
Driving with a manual transmission	257
Shift pattern	257
Master warning light	220
Maximum allowable speed	
Automatic transmission	234,238
Manual transmission	257
Multidrive	249
Messages, multi-information display	210
Mirror	
Anti-glare inside rear view	171
Auto anti-glare inside rear view	171

- Mirrors**
 Folding rear view 170
 Outside rear view 168
 Power rear view 169
 Rain clearing mirrors 493
 Vanity 173
Moon roof 78
Multi-information display 200
Multidrive
 Driving with Multidrive 249
 Shift lock override button 482
 Shift pattern 249
 Shifting speed 249
- N**
 New vehicle break-in 383
- O**
 Odometer 208
 Off-road driving precautions 423
Oil
 Consumption 393
 Viscosity and grade 510
 Oil consumption 393
 Operation in foreign countries 387
 Outside temperature display 209
 Overheating, Engine 444
 Overheating, Engine coolant 199
Overview
 Engine compartment 500
- P**
Parking brake
 Operation 276
 Reminder light 276
Passenger airbag manual
 on-off switch 134
Polishing 487
Positioning a floor jack 507
Power heater 349
Power outlet 363
Power rear view mirror control 169
Power steering 400
Power window switches 67
Pre-trip safety check 419
Precautions for turning off
 an engine with turbocharger 419
Preloaders
 (seat belt pretensioners) 106
- Pretensioners**
 (seat belt pretensioners) 106
Protecting your Toyota from
 corrosion 486
Push button start function 413
- R**
Radiator
 Checking the radiator 517
 Coolant, Engine 516
Radio 282
Rear cargo net 377
Rear console box 368
Rear cup holder 369
Rear fog light switch 183
Rear seats 89,90
Rear step bumper 404
Rear view mirror
 Anti-glare inside 171
 Rear view mirror, auto anti-glare
 inside 171
Rear view mirrors
 Folding 170
 Outside 168
 Power 169
Rear view monitor system 356
Rear window and outside rear view
 mirror defogger switch 194
Rear window wiper and
 washer switch 192
Remote controls 304
Removing the engine compartment
 cover 503
Roof luggage carrier precautions 403
- S**
Safety check, Pre-trip 419
Seat adjustment precautions
 Front seats 85
 Rear seats 89
Seat belts
 Cleaning 490
 Fastening 99
 Seat belt precautions 99
 Seat belt pretensioners 106
Seat heater switch 98
Seats 84
Separation net fixing hook 376
Service and maintenance 496
Service reminder indicator 220
Side door locks 60,65

Side doors	60	Passenger airbag manual	
Smart entry and start system		on-off	134
Actuation area	48	Rear fog light	183
Driving tips	415	Rear window defogger	194
Entry function	48,65	Rear window wiper and washer	192
Side doors	65	Windshield wiper and	
Start function	48,413	washer	188,189
Steering lock function	48		
Warning buzzer	415	T	
Warning light	415	Tachometer	200
Spare fuse	529	Telescopic steering column	168
Spare tire	460	Theft deterrent system	71
Spark plugs		Theft prevention labels	406
Iridium-tipped spark plugs	394	Three-way catalytic converters	388
Specifications	548	Tie-down hooks	371
SRS driver airbag and		Tilt steering wheel	168
front passenger airbag	109	Tires	
SRS driver airbag,		Changing	459
driver knee airbag and		Checking and replacing	519
front passenger airbag	117	Emergency tire puncture	
SRS side airbags and		repair kit	445
curtain shield airbags	125	Flat tire	459
SRS warning light	220	Inflation pressure	518,557
Start function,		Replacing wheels	523
Smart entry and start system	48	Rotating tires	520
Starting		Size	557
Cold weather	410	Snow tires and chains	521
Engine	410	Spare	460
If you run out of fuel and		Tools	460
the engine dies	438	Towing	
Jump starting	439	Emergency towing	477
Push button start function	413	Emergency towing eyelet	479
Start function,		Emergency towing eyelet	
Smart entry and start system	413	precautions	481
Steering		If your vehicle needs to be	
Adjusting steering wheel	168	towed	473
Electric power steering system	400	Installing front towing eyelet	479
Steering column		Tips for towing a stuck vehicle	481
Column lock	48,232,413,415	Trailer	425
Storage precautions	364	Traction control system	262
Suspension and chassis	407	Trailer towing	425
Switch		Trip meter	208
Emergency flasher	182	Turn signals	176,178
Engine	233		
Front fog light	183	U	
Headlight, dimmer and		Utility vehicle precautions	382
turn signal	176,178		
Ignition	232,233		
Outside rear view mirror			
defogger	194		

V

Vanity mirrors	173
Vehicle identification number	404
Vehicle stability control+system	267
VSC+system	267

W

Warning buzzer	220,415
Warning light	220,415
Washer fluid	
Adding washer fluid	531
Washing and waxing	487
Wheels	
Aluminum wheel	524
Replacing wheels	523
Windshield wiper and washer switch	188,189
Windshield wiper de-icer	193
Winter driving tips	424
Wireless remote control	35

امداد خودرو فارما
تلفن شبانه روزی: ۰۲۱-۸۸۸۶۲۰۸۵

FarmaSOS.com